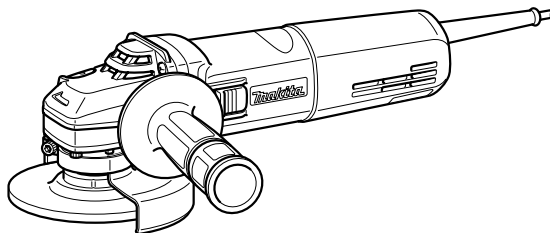
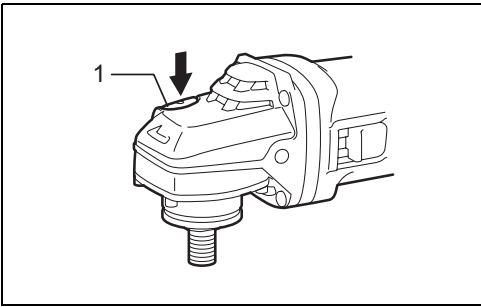




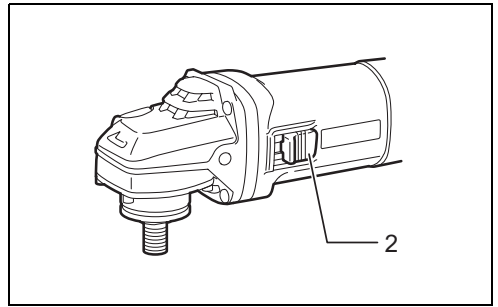
<b>GB</b>	<b>Angle Grinder</b>	<b>Instruction manual</b>
<b>F</b>	<b>Meuleuse d'Angle</b>	<b>Manuel d'instructions</b>
<b>D</b>	<b>Winkelschleifer</b>	<b>Betriebsanleitung</b>
<b>I</b>	<b>Smerigliatrice angolare</b>	<b>Istruzioni per l'uso</b>
<b>NL</b>	<b>Haakse slijpmachine</b>	<b>Gebruiksaanwijzing</b>
<b>E</b>	<b>Amoladora</b>	<b>Manual de instrucciones</b>
<b>P</b>	<b>Rebarbadora</b>	<b>Manual de instruções</b>
<b>DK</b>	<b>Vinkelsliber</b>	<b>Brugsanvisning</b>
<b>GR</b>	<b>Γωνιακός τροχός</b>	<b>Οδηγίες χρήσης</b>

9561CR  
9561CVR  
9562CR  
9562CVR  
9564CR  
9564CVR  
9565CR  
9565CVR

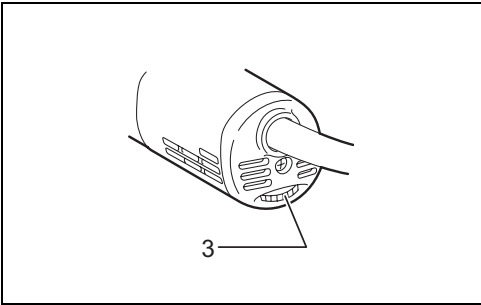




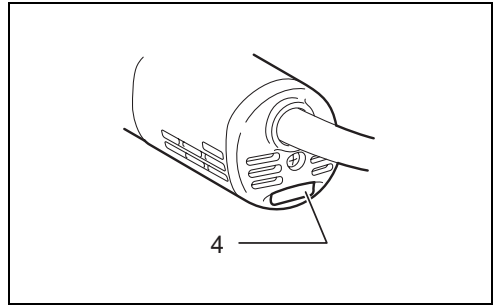
1



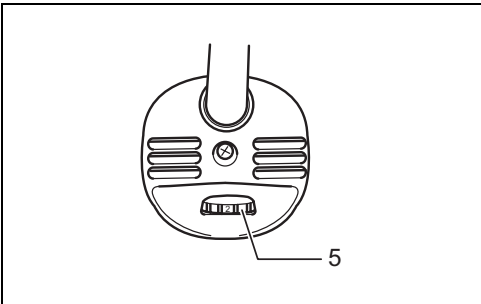
2



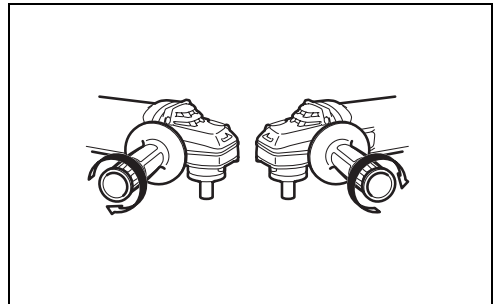
3



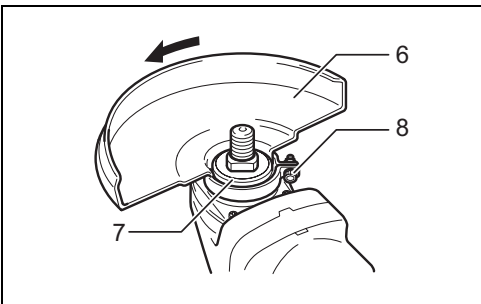
4



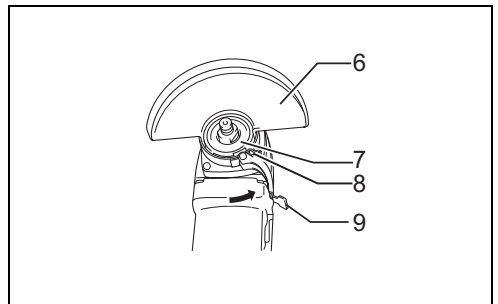
5



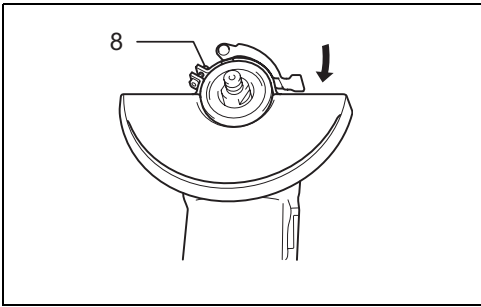
6



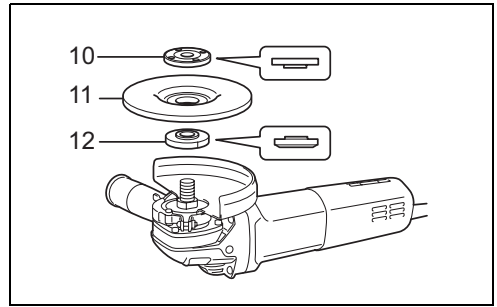
7



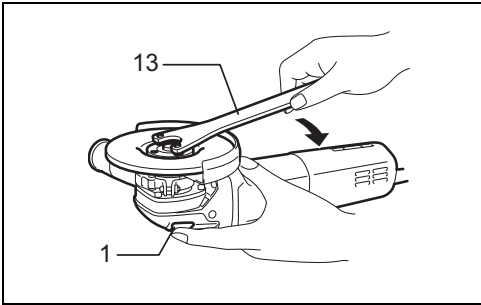
8



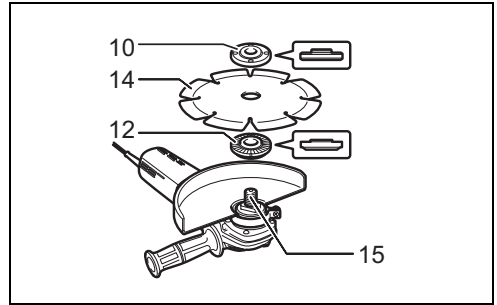
9



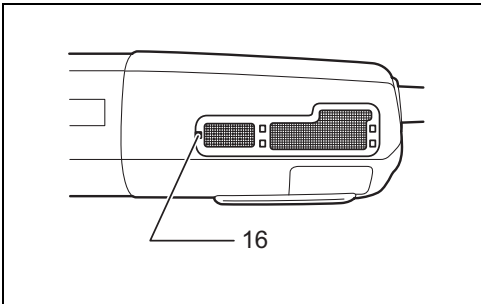
10



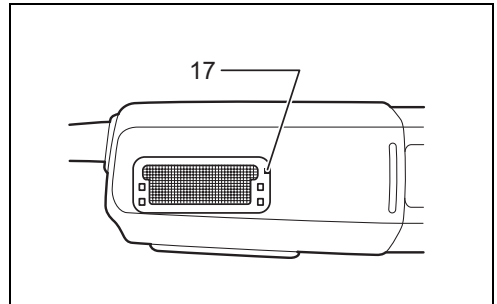
11



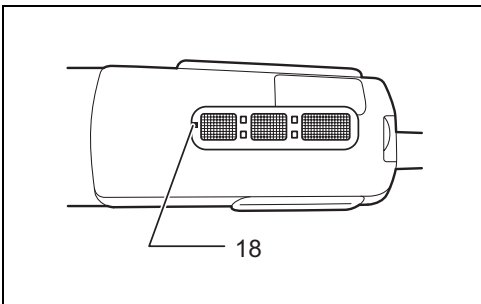
12



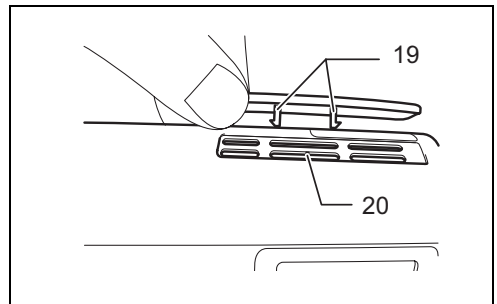
13



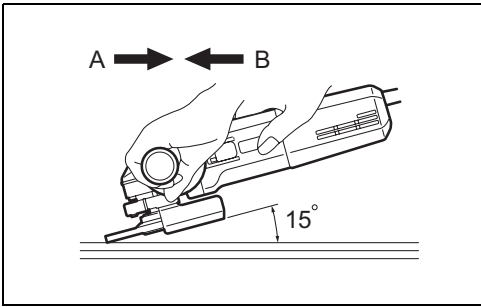
14



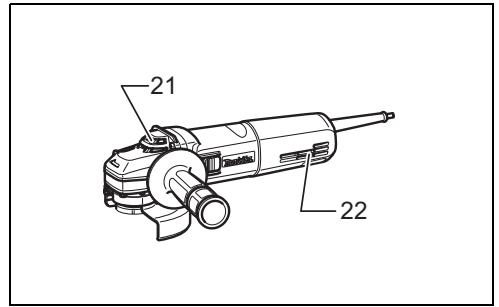
15



16



17



18

## ENGLISH

### Explanation of general view

- |   |  |                     |
|---|--|---------------------|
| 1. Shaft lock                             | 8. Screw   | 15. Spindle         |
| 2. Slide switch                           | 9. Lever   | 16. Marking A       |
| 3. Indication lamp (speed adjusting dial) | 10. Lock nut                                       | 17. Marking B       |
| 4. Indication lamp                        | 11. Depressed center grinding wheel/<br>Multi-disc | 18. Marking C       |
| 5. Speed adjusting dial                   | 12. Inner flange                                   | 19. Pin             |
| 6. Wheel guard                            | 13. Lock nut wrench                                | 20. Vent            |
| 7. Bearing box                            | 14. Diamond wheel                                  | 21. Exhaust vent    |
|   |  | 22. Inhalation vent |

## SPECIFICATIONS

Depressed center wheel diameter Spindle thread	115 mm M14	9561CR	9564CR	9561CVR	9564CVR
	125 mm M14	9562CR	9565CR	9562CVR	9565CVR
Rated speed (n) / No load speed (n <sub>0</sub> )		11,000 (min <sup>-1</sup> )	11,000 (min <sup>-1</sup> )	2,800 - 11,000 (min <sup>-1</sup> )	2,800 - 11,000 (min <sup>-1</sup> )
Overall length		289 mm	299 mm	289 mm	299 mm
Net weight		1.8 kg	1.8 kg	1.8 kg	1.8 kg
Safety class		□/II			

- Due to our continuing program of research and development, the specifications herein are subject to change without notice.
- Note: Specifications may differ from country to country.

### Symbols

ENE202-4

The following show the symbols used for the equipment. Be sure that you understand their meaning before use.



..... Read instruction manual.



..... DOUBLE INSULATION



..... Wear safety glasses.

### Intended use

ENE048-1

The tool is intended for grinding, sanding and cutting of metal and stone materials without the use of water.

### Power supply

ENF002-1

The tool should be connected only to a power supply of the same voltage as indicated on the nameplate, and can only be operated on single-phase AC supply. They are double-insulated in accordance with European Standard and can, therefore, also be used from sockets without earth wire.

## SPECIFIC SAFETY RULES

GEB033-1

**DO NOT let comfort or familiarity with product (gained from repeated use) replace strict adherence to grinder safety rules. If you use this tool unsafely or incorrectly, you can suffer serious personal injury.**

1. **Safety Warnings Common for Grinding, Sanding, Wire Brushing, or Abrasive Cutting-Off Operations:**

2. **This power tool is intended to function as a grinder, sander, wire brush or cut-off tool. Read all safety warnings, instructions, illustrations and specifications provided with this power tool.** Failure to follow all instructions listed below may result in electric shock, fire and/or serious injury.
3. **Operations such as polishing are not recommended to be performed with this power tool.** Operations for which the power tool was not designed may create a hazard and cause personal injury.
4. **Do not use accessories which are not specifically designed and recommended by the tool manufacturer.** Just because the accessory can be attached to your power tool, it does not assure safe operation.
5. **The rated speed of the accessory must be at least equal to the maximum speed marked on the power tool.** Accessories running faster than their rated speed can break and fly apart.
6. **The outside diameter and the thickness of your accessory must be within the capacity rating of your power tool.** Incorrectly sized accessories cannot be adequately guarded or controlled.
7. **The arbour size of wheels, flanges, backing pads or any other accessory must properly fit the spindle of the power tool.** Accessories with arbour holes that do not match the mounting hardware of the power tool will run out of balance, vibrate excessively and may cause loss of control.
8. **Do not use a damaged accessory. Before each use inspect the accessory such as abrasive wheels for chips and cracks, backing pad for cracks, tear or excess wear, wire brush for loose or cracked**

wires. If power tool or accessory is dropped, inspect for damage or install an undamaged accessory. After inspecting and installing an accessory, position yourself and bystanders away from the plane of the rotating accessory and run the power tool at maximum no-load speed for one minute. Damaged accessories will normally break apart during this test time.

9. **Wear personal protective equipment. Depending on application, use face shield, safety goggles or safety glasses. As appropriate, wear dust mask, hearing protectors, gloves and workshop apron capable of stopping small abrasive or workpiece fragments.** The eye protection must be capable of stopping flying debris generated by various operations. The dust mask or respirator must be capable of filtrating particles generated by your operation. Prolonged exposure to high intensity noise may cause hearing loss.
10. **Keep bystanders a safe distance away from work area. Anyone entering the work area must wear personal protective equipment.** Fragments of workpiece or of a broken accessory may fly away and cause injury beyond immediate area of operation.
11. **Hold power tool by insulated gripping surfaces only, when performing an operation where the cutting accessory may contact hidden wiring or its own cord.** Cutting accessory contacting a "live" wire may make exposed metal parts of the power tool "live" and shock the operator.
12. **Position the cord clear of the spinning accessory.** If you lose control, the cord may be cut or snagged and your hand or arm may be pulled into the spinning accessory.
13. **Never lay the power tool down until the accessory has come to a complete stop.** The spinning accessory may grab the surface and pull the power tool out of your control.
14. **Do not run the power tool while carrying it at your side.** Accidental contact with the spinning accessory could snag your clothing, pulling the accessory into your body.
15. **Regularly clean the power tool's air vents.** The motor's fan will draw the dust inside the housing and excessive accumulation of powdered metal may cause electrical hazards.
16. **Do not operate the power tool near flammable materials.** Sparks could ignite these materials.
17. **Do not use accessories that require liquid coolants.** Using water or other liquid coolants may result in electrocution or shock.
18. **Kickback and Related Warnings**

Kickback is a sudden reaction to a pinched or snagged rotating wheel, backing pad, brush or any other accessory. Pinching or snagging causes rapid stalling of the rotating accessory which in turn causes the uncontrolled power tool to be forced in the direction opposite of the accessory's rotation at the point of the binding.

For example, if an abrasive wheel is snagged or pinched by the workpiece, the edge of the wheel that

is entering into the pinch point can dig into the surface of the material causing the wheel to climb out or kick out. The wheel may either jump toward or away from the operator, depending on direction of the wheel's movement at the point of pinching. Abrasive wheels may also break under these conditions.

Kickback is the result of power tool misuse and/or incorrect operating procedures or conditions and can be avoided by taking proper precautions as given below.

- a) **Maintain a firm grip on the power tool and position your body and arm to allow you to resist kickback forces. Always use auxiliary handle, if provided, for maximum control over kickback or torque reaction during start-up.** The operator can control torque reactions or kickback forces, if proper precautions are taken.
  - b) **Never place your hand near the rotating accessory.** Accessory may kickback over your hand.
  - c) **Do not position your body in the area where power tool will move if kickback occurs.** Kickback will propel the tool in direction opposite to the wheel's movement at the point of snagging.
  - d) **Use special care when working corners, sharp edges etc. Avoid bouncing and snagging the accessory.** Corners, sharp edges or bouncing have a tendency to snag the rotating accessory and cause loss of control or kickback.
  - e) **Do not attach a saw chain woodcarving blade or toothed saw blade.** Such blades create frequent kickback and loss of control.
19. **Safety Warnings Specific for Grinding and Abrasive Cutting-Off Operations:**
- a) **Use only wheel types that are recommended for your power tool and the specific guard designed for the selected wheel.** Wheels for which the power tool was not designed cannot be adequately guarded and are unsafe.
  - b) **The guard must be securely attached to the power tool and positioned for maximum safety, so the least amount of wheel is exposed towards the operator.** The guard helps to protect operator from broken wheel fragments and accidental contact with wheel.
  - c) **Wheels must be used only for recommended applications. For example: do not grind with the side of cut-off wheel.** Abrasive cut-off wheels are intended for peripheral grinding, side forces applied to these wheels may cause them to shatter.
  - d) **Always use undamaged wheel flanges that are of correct size and shape for your selected wheel.** Proper wheel flanges support the wheel thus reducing the possibility of wheel breakage. Flanges for cut-off wheels may be different from grinding wheel flanges.
  - e) **Do not use worn down wheels from larger power tools.** Wheel intended for larger power tool is not suitable for the higher speed of a smaller tool and may burst.
20. **Additional Safety Warnings Specific for Abrasive Cutting-Off Operations:**

- a) **Do not “jam” the cut-off wheel or apply excessive pressure. Do not attempt to make an excessive depth of cut.** Overstressing the wheel increases the loading and susceptibility to twisting or binding of the wheel in the cut and the possibility of kickback or wheel breakage.
- b) **Do not position your body in line with and behind the rotating wheel.** When the wheel, at the point of operation, is moving away from your body, the possible kickback may propel the spinning wheel and the power tool directly at you.
- c) **When wheel is binding or when interrupting a cut for any reason, switch off the power tool and hold the power tool motionless until the wheel comes to a complete stop. Never attempt to remove the cut-off wheel from the cut while the wheel is in motion otherwise kickback may occur.** Investigate and take corrective action to eliminate the cause of wheel binding.
- d) **Do not restart the cutting operation in the workpiece. Let the wheel reach full speed and carefully reenter the cut.** The wheel may bind, walk up or kickback if the power tool is restarted in the workpiece.
- e) **Support panels or any oversized workpiece to minimize the risk of wheel pinching and kickback.** Large workpieces tend to sag under their own weight. Supports must be placed under the workpiece near the line of cut and near the edge of the workpiece on both sides of the wheel.
- f) **Use extra caution when making a “pocket cut” into existing walls or other blind areas.** The protruding wheel may cut gas or water pipes, electrical wiring or objects that can cause kickback.
21. **Safety Warnings Specific for Sanding Operations:**
- a) **Do not use excessively oversized sanding disc paper. Follow manufacturers recommendations, when selecting sanding paper.** Larger sanding paper extending beyond the sanding pad presents a laceration hazard and may cause snagging, tearing of the disc or kickback.
22. **Safety Warnings Specific for Wire Brushing Operations:**
- a) **Be aware that wire bristles are thrown by the brush even during ordinary operation. Do not overstress the wires by applying excessive load to the brush.** The wire bristles can easily penetrate light clothing and/or skin.
- b) **If the use of a guard is recommended for wire brushing, do not allow interference of the wire wheel or brush with the guard.** Wire wheel or brush may expand in diameter due to work load and centrifugal forces.
23. **When using depressed center grinding wheels, be sure to use only fiberglass-reinforced wheels.**
24. **Be careful not to damage the spindle, the flange (especially the installing surface) or the lock nut. Damage to these parts could result in wheel breakage.**
25. **Make sure the wheel is not contacting the workpiece before the switch is turned on.**
26. **Before using the tool on an actual workpiece, let it run for a while. Watch for vibration or wobbling that could indicate poor installation or a poorly balanced wheel.**
27. **Use the specified surface of the wheel to perform the grinding.**
28. **Watch out for flying sparks. Hold the tool so that sparks fly away from you and other persons or flammable materials.**
29. **Do not leave the tool running. Operate the tool only when hand-held.**
30. **Do not touch the workpiece immediately after operation; it may be extremely hot and could burn your skin.**
31. **Always be sure that the tool is switched off and unplugged or that the battery cartridge is removed before carrying out any work on the tool.**
32. **Observe the instructions of the manufacturer for correct mounting and use of wheels. Handle and store wheels with care.**
33. **Do not use separate reducing bushings or adaptors to adapt large hole abrasive wheels.**
34. **Use only flanges specified for this tool.**
35. **For tools intended to be fitted with threaded hole wheel, ensure that the thread in the wheel is long enough to accept the spindle length.**
36. **Check that the workpiece is properly supported.**
37. **Watch out for flying sparks. Hold the tool so that sparks fly away from you and other persons or flammable materials.**
38. **Pay attention that the wheel continues to rotate after the tool is switched off.**
39. **If working place is extremely hot and humid, or badly polluted by conductive dust, use a short-circuit breaker (30 mA) to assure operator safety.**
40. **Do not use the tool on any materials containing asbestos.**
41. **Do not use water or grinding lubricant.**
42. **Ensure that ventilation openings are kept clear when working in dusty conditions. If it should become necessary to clear dust, first disconnect the tool from the mains supply (use non metallic objects) and avoid damaging internal parts.**
43. **When use cut-off wheel, always work with the dust collecting wheel guard required by domestic regulation.**
44. **Cutting discs must not be subjected to any lateral pressure.**
- WARNING:**  
**MISUSE or failure to follow the safety rules stated in this instruction manual may cause serious personal injury.**

# SAVE THESE INSTRUCTIONS.

## FUNCTIONAL DESCRIPTION

### CAUTION:

- Always be sure that the tool is switched off and unplugged before adjusting or checking function on the tool.

### Shaft lock (Fig. 1)

#### CAUTION:

- Never actuate the shaft lock when the spindle is moving. The tool may be damaged.

Press the shaft lock to prevent spindle rotation when installing or removing accessories.

### Switch action (Fig. 2)

#### CAUTION:

- Before plugging in the tool, always check to see that the slide switch actuates properly and returns to the "OFF" position when the rear of the slide switch is depressed.

To start the tool, slide the slide switch toward the "I (ON)" position. For continuous operation, press the front of the slide switch to lock it.

To stop the tool, press the rear of the slide switch, then slide it toward the "O (OFF)" position.

### Indication lamp

For Models 9561CVR, 9562CVR, 9564CVR, 9565CVR (Fig. 3)

For Models 9561CR, 9562CR, 9564CR, 9565CR (Fig. 4)

The indication lamp lights up green when the tool is plugged. If the indication lamp does not light up, the mains cord or the controller may be defective. The indication lamp is lit but the tool does not start even if the tool is switched on, the carbon brushes may be worn out, or the controller, the motor or the ON/OFF switch may be defective.

### Unintentional restart proof

The tool does not start with the switch being lock-on even when the tool is plugged.

At this time, the indication lamp flickers red and shows the unintentional restart proof device is on function.

To cancel the unintentional restart proof, return the slide switch to "O (OFF)" position, then release it.

### Speed adjusting dial

For 9561CVR, 9562CVR, 9564CVR, 9565CVR (Fig. 5)

The rotating speed can be changed by turning the speed adjusting dial to a given number setting from 1 to 5.

Higher speed is obtained when the dial is turned in the direction of number 5. And lower speed is obtained when it is turned in the direction of number 1.

Refer to the below table for the relationship between the number settings on the dial and the approximate rotating speed.

Number	min <sup>-1</sup> (R.P.M.)
1	2,800
2	4,000
3	6,500
4	9,000
5	11,000

#### CAUTION:

- If the tool is operated continuously at low speeds for a long time, the motor will get overloaded and heated up.
- The speed adjusting dial can be turned only as far as 5 and back to 1. Do not force it past 5 or 1, or the speed adjusting function may no longer work.

The tools equipped with electronic function are easy to operate because of the following features.

- Electronic constant speed control  
Possible to get fine finish, because the rotating speed is kept constantly even under the loaded condition.
- Soft start feature  
Soft start because of suppressed starting shock.
- Overload protector  
When the load on the tool exceeds admissible levels, power to the motor is reduced to protect the motor from overheating. When the load returns to admissible levels, the tool will operate as normal.

## ASSEMBLY

#### CAUTION:

- Always be sure that the tool is switched off and unplugged before carrying out any work on the tool.

### Installing side grip (handle) (Fig. 6)

#### CAUTION:

- Always be sure that the side grip is installed securely before operation.

Screw the side grip securely on the position of the tool as shown in the figure.

### Installing or removing wheel guard

For tool with locking screw type wheel guard (Fig. 7)

#### CAUTION:

- The wheel guard must be fitted on the tool so that the closed side of the guard always points toward the operator.

Mount the wheel guard with the protrusion on the wheel guard band aligned with the notch on the bearing box. Then rotate the wheel guard around 180 degrees counterclockwise. Be sure to tighten the screw securely. To remove wheel guard, follow the installation procedure in reverse.

For tool with clamp lever type wheel guard (Fig. 8 & 9)

Pull the lever in the direction of the arrow after loosening the screw. Mount the wheel guard with the protrusion on



the wheel guard band aligned with the notch on the bearing box. Then rotate the wheel guard around 180°. Fasten it with the screw after pulling lever in the direction of the arrow for the working purpose. The setting angle of the wheel guard can be adjusted with the lever.

To remove wheel guard, follow the installation procedure in reverse.

### **Installing or removing depressed center grinding wheel/Multi-disc (accessory) (Fig. 10)**

Mount the inner flange onto the spindle. Fit the wheel/disc on the inner flange and screw the lock nut onto the spindle.

To tighten the lock nut, press the shaft lock firmly so that the spindle cannot revolve, then use the lock nut wrench and securely tighten clockwise. (Fig. 11)

To remove the wheel, follow the installation procedure in reverse.

### **Installing or removing diamond wheel (optional accessory)**

#### **CAUTION:**

- Make sure that the arrow on the tool should point in the same direction as the arrow on the diamond wheel.

(Fig. 12)

Mount the inner flange onto the spindle. Fit the diamond wheel on over the inner flange and screw the lock nut onto the spindle. Notice that flat side of the lock nut should face the diamond wheel in case the diamond wheel is used.

### **Installing or removing dust cover attachment (Optional accessory)**

#### **WARNING:**

- Always be sure that the tool is switched off and unplugged before installing or removing the dust cover attachment. Failure to do so causes damage to the tool or a personal injury.

There are three types of dust cover attachment and each is used in one of different positions. (Fig. 13 - 15)

Place the dust cover attachment so that the side of the dust cover attachment with the marking (A, B or C) faces towards the tool head. Snap the pins of the dust cover attachment in the vent. (Fig. 16)

Dust cover attachment can be removed by hand.

#### **NOTE:**

- Clean out the dust cover attachment when it is clogged with dust or foreign matters. Continuing operation with a clogged dust cover attachment will damage the tool.

## **OPERATION**

#### **WARNING:**

- It should never be necessary to force the tool. The weight of the tool applies adequate pressure. Forcing and excessive pressure could cause dangerous wheel breakage.
- ALWAYS replace wheel if tool is dropped while grinding.

- NEVER bang or hit grinding disc or wheel onto work.
- Avoid bouncing and snagging the wheel, especially when working corners, sharp edges etc. This can cause loss of control and kickback.
- NEVER use tool with wood cutting blades and other sawblades. Such blades when used on a grinder frequently kick and cause loss of control leading to personal injury.

#### **CAUTION:**

- After operation, always switch off the tool and wait until the wheel has come to a complete stop before putting the tool down.

## **Grinding and sanding operation**

ALWAYS hold the tool firmly with one hand on housing and the other on the side handle. Turn the tool on and then apply the wheel or disc to the workpiece.

In general, keep the edge of the wheel or disc at an angle of about 15 degrees to the workpiece surface.

During the break-in period with a new wheel, do not work the grinder in the B direction or it will cut into the workpiece. Once the edge of the wheel has been rounded off by use, the wheel may be worked in both A and B direction. (Fig. 17)

## **Operation with diamond wheel (accessory)**

#### **WARNING:**

- Forcing and exerting excessive pressure or allowing the wheel to bend, pinch or twist in the cut can cause overheating of the motor and dangerous kickback of the tool.

#### **CAUTION:**

- After cutting operation, make sure that the diamond wheel stops revolving completely. Then, place the tool. It is dangerous to place the tool before turning off the tool. If there is dust or dirt around the tool, the tool may suck them in.

Be sure that the wheel does not contact the workpiece.

Turn the tool on and hold the tool firmly. Wait until the wheel attains full speed. Now simply move the tool forward over the workpiece surface, keeping it flat and advancing smoothly until the cutting is completed.

## **MAINTENANCE**

#### **CAUTION:**

- Always be sure that the tool is switched off and unplugged before attempting to perform inspection or maintenance. (Fig. 18)

The tool and its air vents have to be kept clean.

Regularly clean the tool's air vents or whenever the vents start to become obstructed.

To maintain product SAFETY and RELIABILITY, repairs, carbon brush inspection and replacement, any other maintenance or adjustment should be performed by Makita Authorized Service Centers, always using Makita replacement parts.

# ACCESSORIES

## CAUTION:

- These accessories or attachments are recommended for use with your Makita tool specified in this manual. The use of any other accessories or attachments might present a risk of injury to persons. Only use accessory or attachment for its stated purpose.

If you need any assistance for more details regarding these accessories, ask your local Makita Service Center.

- Wheel guard (Wheel cover)
- Inner flange
- Depressed center wheels
- Lock nut (For depressed center wheel)
- Rubber pad
- Abrasive discs
- Lock nut (For abrasive disc)
- Lock nut wrench
- Wire cup brush
- Wire bevel brush 85
- Side grip
- Diamond wheel
- Dust collecting wheel guard

## For Model 9561CR, 9561CVR, 9562CR, 9562CVR

### For European countries only

#### Noise ENG101-1

The typical A-weighted noise level determined according to EN60745-2-3:

Sound pressure level ( $L_{pA}$ ): 83 dB (A)

Uncertainty (K): 3 dB (A)

The noise level under working may exceed 85 dB (A).

**Wear ear protection.**

#### Vibration ENG208-2

The vibration total value (tri-axial vector sum) determined according to EN60745-2-3:

Work mode: surface grinding

Vibration emission ( $a_{h,AG}$ ): 8.5 m/s<sup>2</sup>

Uncertainty (K): 1.5 m/s<sup>2</sup>

Cutting-off or wire brushing may have different vibration emission values.

## For Model 9564CR, 9564CVR

### For European countries only

#### Noise ENG101-1

The typical A-weighted noise level determined according to EN60745-2-3:

Sound pressure level ( $L_{pA}$ ): 83 dB (A)

Uncertainty (K): 3 dB (A)

The noise level under working may exceed 85 dB (A).

**Wear ear protection.**

#### Vibration ENG208-2

The vibration total value (tri-axial vector sum) determined according to EN60745-2-3:

Work mode: surface grinding

Vibration emission ( $a_{h,AG}$ ): 8.0 m/s<sup>2</sup>

Uncertainty (K): 1.5 m/s<sup>2</sup>

Cutting-off or wire brushing may have different vibration emission values.

## For Model 9565CR, 9565CVR

### For European countries only

#### Noise ENG101-1

The typical A-weighted noise level determined according to EN60745-2-3:

Sound pressure level ( $L_{pA}$ ): 82 dB (A)

Uncertainty (K): 3 dB (A)

The noise level under working may exceed 85 dB (A).

**Wear ear protection.**

#### Vibration ENG208-2

The vibration total value (tri-axial vector sum) determined according to EN60745-2-3:

Work mode: surface grinding

Vibration emission ( $a_{h,AG}$ ): 8.0 m/s<sup>2</sup>

Uncertainty (K): 1.5 m/s<sup>2</sup>

Cutting-off or wire brushing may have different vibration emission values.

## EC-DECLARATION OF CONFORMITY ENH001-8

### 9561CR, 9561CVR, 9562CR, 9562CVR, 9564CR, 9564CVR, 9565CR, 9565CVR

We declare under our sole responsibility that this product is in compliance with the following standards of standardized documents;

EN50144, EN55014, EN61000 in accordance with Council Directives, 2004/108/EC, 98/37/EC.

**CE 2008**



Tomoyasu Kato  
Director

Responsible Manufacturer:

#### Makita Corporation

3-11-8, Sumiyoshi-cho, Anjo, Aichi, JAPAN

Authorized Representative in Europe:

#### Makita International Europe Ltd.

Michigan Drive, Tongwell, Milton Keynes, Bucks MK15 8JD, ENGLAND

- |   |  |                  |
|---|--|------------------|
| 1. Blocage de l'arbre                       | 8. Vis                                 | 15. Axe          |
| 2. Interrupteur à glissière                 | 9. Levier                              | 16. Repère A     |
| 3. Voyant (cadran de réglage de la vitesse) | 10. Contre-écrou                       | 17. Repère B     |
| 4. Voyant                                   | 11. Meule à mouyeu déporté/multidisque | 18. Repère C     |
| 5. Cadran de réglage de la vitesse          | 12. Flasque intérieur                  | 19. Broche       |
| 6. Carter de meule                          | 13. Clé à contre-écrou                 | 20. Aération     |
| 7. Boîtier d'engrenage                      | 14. Meule diamantée                    | 21. Sortie d'air |
|   |  | 22. Entrée d'air |

## SPÉCIFICATIONS

Diamètre de la meule à mouyeu déporté Filetage de l'axe	M14 de 115 mm	9561CR	9564CR	9561CVR	9564CVR
	M14 de 125 mm	9562CR	9565CR	9562CVR	9565CVR
Vitesse nominale (n)/Vitesse à vide (n <sub>0</sub> )	11 000 (min <sup>-1</sup> )	11 000 (min <sup>-1</sup> )	2 800 - 11 000 (min <sup>-1</sup> )	2 800 - 11 000 (min <sup>-1</sup> )	2 800 - 11 000 (min <sup>-1</sup> )
Longueur totale	289 mm	299 mm	289 mm	299 mm	299 mm
Poids net	1,8 kg	1,8 kg	1,8 kg	1,8 kg	1,8 kg
Niveau de sécurité	☐/II				

- Étant donné l'évolution constante de notre programme de recherche et de développement, les spécifications contenues dans ce manuel sont sujettes à modification sans préavis.
- Remarque : les spécifications peuvent varier d'un pays à l'autre.

### Symboles

END202-4

Les symboles utilisés pour l'outil sont indiqués ci-dessous. Assurez-vous d'avoir bien compris leur signification avant d'utiliser l'outil.



..... Reportez-vous au manuel d'instructions.



..... DOUBLE ISOLATION



..... Portez des lunettes de sécurité.

### Utilisations

ENE048-1

L'outil est conçu pour le meulage, le ponçage et la coupe des métaux et pierres sans utilisation d'eau.

### Alimentation

ENF002-1

L'outil ne doit être raccordé qu'à une alimentation de la même tension que celle qui figure sur la plaque signalétique, et il ne peut fonctionner que sur un courant secteur monophasé. Réalisé avec une double isolation, il est conforme à la réglementation européenne et peut de ce fait être alimenté sans mise à la terre.

## CONSIGNES DE SÉCURITÉ SPÉCIFIQUES

GEB033-1

**NE vous laissez PAS tromper (au fil d'une utilisation répétée) par un sentiment d'aisance et de familiarité avec le produit, en négligeant le respect rigoureux des consignes de sécurité qui accompagnent l'outil. En utilisant cet outil dans des conditions**

**dangereuses ou incorrectes, vous vous exposez à un risque de blessure grave.**

- Consignes de sécurité pour des opérations de meulage, ponçage, brossage avec brosse métallique ou tronçonnage :**
- Cet outil électrique est prévu pour fonctionner comme un outil de meulage, ponçage, tronçonnage ou brossage à brosse métallique. Lisez tous les avertissements concernant la sécurité, les instructions, les illustrations et les caractéristiques fournis avec cet outil électrique.** Il y a un risque d'électrocution, d'incendie et/ou de blessures graves si les instructions énumérées ci-dessous ne sont pas respectées.
- Les opérations comme le polissage sont déconseillées avec cet outil électrique.** Les opérations pour lesquelles l'outil électrique n'a pas été conçu peuvent générer un danger et occasionner des blessures.
- N'utilisez pas des accessoires qui ne sont pas spécifiquement conçus et recommandés par le fabricant d'outils.** Le simple fait que l'accessoire puisse être fixé à votre outil électrique ne signifie pas que le fonctionnement sera sécurisé.
- La vitesse nominale de l'accessoire doit être au moins égale à la vitesse maximale indiquée sur l'outil électrique.** Des accessoires fonctionnant plus rapidement que leur vitesse nominale risquent de se casser et de voler en éclats.
- Le diamètre externe et l'épaisseur de votre accessoire doivent correspondre à la puissance nominale de votre outil électrique.** Des accessoires aux dimensions inappropriées ne peuvent pas être protégés ou contrôlés correctement.

7. **La taille de tonnelle des roues, flasques, patins de renfort ou autre accessoire doit s'adapter correctement à l'axe de l'outil.** Les accessoires comportant des orifices de tonnelle qui ne correspondent pas au matériel de montage de l'outil électrique seront déséquilibrés et subiront des vibrations excessives, ce qui peut occasionner une perte de contrôle.
8. **N'utilisez pas d'accessoire endommagé. Avant chaque utilisation, vérifiez que les accessoires, comme les meules à tronçonner, ne comportent pas de copeaux et de craquements, que les patins de renfort ne sont pas craquelés, déchirés ou excessivement usés et que les fils de la brosse métallique ne sont pas lâches ou craqués. En cas de chute de l'outil électrique ou de l'accessoire, vérifiez qu'il n'est pas abîmé ou installez un accessoire en bon état. Après avoir inspecté et installé un accessoire, positionnez-vous ainsi que les spectateurs à distance du plan de l'accessoire en mouvement et faites fonctionner l'outil électrique à la vitesse maximale à vide pendant une minute.** Normalement, tout accessoire endommagé se brisera au cours de ce temps d'essai.
9. **Portez un équipement de protection corporelle. En fonction de l'application, utilisez un écran facial, des lunettes étanches ou des lunettes de protection. Si nécessaire, portez un masque anti-poussières, des protège-tympan, des gants et un tablier d'atelier capable d'arrêter les petits fragments abrasifs ou des morceaux de la pièce à travailler.** La protection pour les yeux doit pouvoir stopper les projections de débris générées par diverses opérations. Le masque anti-poussières ou respirateur doit pouvoir filtrer les particules générées par votre opération. Une exposition prolongée à un bruit de haute intensité peut entraîner une perte auditive.
10. **Gardez les spectateurs à une distance de sécurité de la zone de travail. Quiconque pénètre dans la zone de travail doit porter un équipement de protection corporelle.** Des fragments de pièces à travailler ou d'un accessoire cassé peuvent être projetés hors de la zone de travail immédiate et entraîner des blessures.
11. **Ne tenez l'outil électrique que par ses surfaces de poigne isolées lorsque vous effectuez une opération au cours de laquelle l'accessoire de découpe peut entrer en contact avec des fils dissimulés ou avec le cordon de l'outil.** Le contact avec un fil sous tension mettra les parties métalliques exposées de l'outil sous tension, causant ainsi un choc électrique chez l'utilisateur.
12. **Positionnez le cordon à l'écart de l'accessoire rotatif.** Si vous perdez le contrôle, le cordon peut être coupé ou accroché et l'accessoire rotatif risque d'attraper votre main ou votre bras.
13. **Ne posez jamais l'outil électrique à terre tant qu'il ne s'est pas complètement arrêté.** L'accessoire rotatif peut accrocher la surface et vous risquez de perdre le contrôle de l'outil électrique.
14. **Ne faites pas tourner l'outil électrique si vous le transportez à côté de vous.** Un contact accidentel avec l'accessoire rotatif pourrait accrocher vos vêtements et attirer l'accessoire vers votre corps.
15. **Nettoyez régulièrement les aérations de l'outil électrique.** Le ventilateur du moteur tirera la poussière à l'intérieur du logement et une accumulation excessive de poudre métallique peut entraîner des chocs électriques.
16. **Ne faites pas fonctionner l'outil électrique à proximité de matériaux inflammables.** Les étincelles risquent d'enflammer ces matériaux.
17. **N'utilisez pas d'accessoires qui nécessitent des liquides de refroidissement.** L'utilisation d'eau ou de liquides de refroidissement peut entraîner une électrocution ou un choc électrique.
18. **Rebond et avertissements afférents**  
Le rebond est une réaction soudaine suite à un pincement ou accrochage d'une roue en rotation, d'un patin de renfort, d'une brosse ou d'un autre accessoire. Un pincement ou un accrochage peut entraîner le calage rapide de l'accessoire rotatif, ce qui peut alors forcer l'outil électrique hors de contrôle à tourner dans la direction opposée au sens de rotation de l'accessoire, jusqu'à ce qu'ils se bloquent. Par exemple, si une meule est accrochée ou pincée par la pièce à travailler, le rebord de la meule qui entrait dans le point de pincement peut creuser dans la surface du matériau, ce qui peut faire sortir la meule. La meule risque de sauter en direction de l'opérateur ou dans la direction opposée, en fonction du sens de rotation de la meule au niveau du point de pincement.  
Les meules peuvent également se casser dans certaines conditions.  
Le rebond est dû à une mauvaise utilisation de l'outil et/ou à des procédures ou conditions de travail inappropriées. Il peut être évité en prenant les mesures appropriées, telles que celles indiquées ci-dessous.
  - a) **Maintenez une prise ferme sur l'outil électrique et positionnez votre corps et vos bras de façon à pouvoir résister aux forces du rebond.** Utilisez toujours une poignée auxiliaire, le cas échéant, pour contrôler au maximum les rebonds ou la réaction du couple au démarrage. L'opérateur peut contrôler les réactions du couple ou les forces du rebond s'il prend les précautions nécessaires.
  - b) **Ne placez jamais la main à proximité de l'accessoire rotatif.** L'accessoire risque de rebondir sur votre main.
  - c) **Ne positionnez pas votre corps dans la zone où l'outil électrique se déplacera en cas de rebond.** Le rebond propulsera l'outil dans la direction opposée au mouvement de la meule, au point d'accrochage.
  - d) **Soyez particulièrement prudent lorsque vous travaillez dans des recoins, sur des rebords tranchants, etc. Évitez de faire rebondir ou d'accrocher l'accessoire.** Les recoins, les rebords tranchants ou les rebonds ont tendance à accrocher

l'accessoire rotatif et à provoquer une perte de contrôle ou un retour de choc.

e) **Ne fixez pas une lame de sculpteur à chaîne coupante ou une lame de scie dentée.** De telles lames peuvent créer de fréquents rebonds et pertes de contrôle.

#### 19. Consignes de sécurité spécifiques aux opérations de meulage et de tronçonnage :

a) **N'utilisez que les types de meules qui sont recommandées pour votre outil électrique et la protection spécifique conçue pour la meule sélectionnée.** Les meules pour lesquelles l'outil électrique n'a pas été conçu ne peuvent pas être protégées de manière adéquate et ne sont pas sûres.

b) **Pour une sécurité maximale, la protection doit être solidement fixée et positionnée à l'outil électrique, de manière à exposer la meule au minimum en direction de l'opérateur.** La protection permet de protéger l'opérateur contre les fragments de meule et un contact accidentel avec la meule.

c) **Les meules doivent être utilisées uniquement pour les applications recommandées. Par exemple : ne pas meuler avec la face latérale de la meule à tronçonner.** Les meules à tronçonner sont conçues pour un meulage périphérique, les forces latérales appliquées à ces meules peuvent les briser.

d) **Utilisez toujours des flasques de meule en bon état dont la taille et la forme sont adaptées à la meule que vous avez choisie.** Des flasques de meule appropriés soutiennent la meule, réduisant ainsi le risque de cassure de la meule. Les flasques pour les meules à tronçonner peuvent être différents des flasques de meule.

e) **N'utilisez pas des meules usées issues d'outils électriques plus grands.** La meule conçue pour les outils électriques plus grands ne convient pas à la vitesse plus élevée d'un outil plus petit et elle risque d'exploser.

#### 20. Consignes de sécurité supplémentaires spécifiques aux opérations de tronçonnage :

a) **Ne bloquez pas la meule à tronçonner et n'appliquez pas de pression excessive. Ne tentez pas d'effectuer une découpe d'une profondeur excessive.** Une surcharge de la meule augmente la charge et la susceptibilité aux torsions ou coincements de la meule lors de la découpe ainsi que le risque de rebond ou de cassure de la meule.

b) **Ne positionnez pas votre corps en ligne avec et derrière la meule en mouvement.** Lorsque la meule en fonctionnement s'écarte de votre corps, le rebond éventuel peut propulser la meule en rotation et l'outil électrique directement sur vous.

c) **Lorsque la meule se coince ou lors de l'interruption d'une découpe, quelle qu'en soit la raison, éteignez l'outil électrique et maintenez-le immobile jusqu'à ce que la meule s'arrête complètement. Ne tentez jamais de retirer la meule à tronçonner de la coupe quand la meule est en mouvement, sans quoi un rebond risque de se produire.** Identifiez la cause du coincement de la

lame et prenez les mesures correctives pour éliminer ladite cause.

d) **Ne reprenez pas l'opération de découpe dans la pièce à travailler. Laissez la meule atteindre sa vitesse pleine et rentrez à nouveau dans la coupe avec prudence.** La meule peut se coincer, retourner en arrière ou rebondir si l'outil électrique est redémarré dans la pièce à travailler.

e) **Soutenez les panneaux ou une pièce à travailler de taille excessive pour minimiser les risques de pincement et de rebond de la meule.** Les pièces à travailler de grande dimension ont tendance à s'affaisser sous leur propre poids. Des dispositifs de soutien doivent être installés sous la pièce à travailler, à proximité de la ligne de coupe et des rebords de la pièce à travailler, de chaque côté de la meule.

f) **Soyez extrêmement prudent lorsque vous effectuez une coupe en plongée dans un mur ou toute autre surface derrière laquelle peuvent se trouver des objets non visibles.** La meule en saillie peut couper des conduites de gaz ou d'eau, des fils électriques ou des objets qui peuvent provoquer un rebond.

#### 21. Consignes de sécurité particulières aux opérations de ponçage :

a) **N'utilisez pas de disque de ponçage aux dimensions excessives. Suivez les conseils des fabricants lors du choix du papier de verre.** Un papier de verre trop grand qui dépasse du patin de ponçage présente des risques de lacération et peut entraîner un accrochage ou un déchirement du disque ou un rebond.

#### 22. Consignes de sécurité spécifiques aux opérations à la brosse métallique :

a) **N'oubliez pas que la brosse rejette des fils métalliques, même lors d'un fonctionnement normal. Ne surchargez pas les fils en appliquant une charge excessive sur la brosse.** Les fils métalliques peuvent facilement transpercer des vêtements légers et/ou la peau.

b) **S'il est conseillé d'utiliser une protection contre la brosse métallique, ne laissez pas la brosse métallique à touret ou la brosse interférer avec la protection.** Le diamètre de la brosse métallique à touret ou de la brosse peut s'agrandir en raison de la charge de travail et des forces centrifuges.

#### 23. Lors de l'utilisation de meules à moyeu déporté, assurez-vous d'utiliser exclusivement des meules renforcées de fibre de verre.

24. **Prenez garde d'endommager l'axe, le flasque (tout particulièrement la surface d'installation) ou le contre-écrou. La meule risque de casser si ces pièces sont endommagées.**

25. **Assurez-vous que la meule n'entre pas en contact avec la pièce à travailler avant de mettre l'outil sous tension.**

26. **Avant d'utiliser l'outil sur la pièce elle-même, laissez-le tourner un instant. Soyez attentif à toute vibration ou sautellement pouvant indiquer que la meule n'est pas bien installée ou qu'elle est mal équilibrée.**

27. Utilisez la face spécifiée de la meule pour meuler.
28. Prenez garde aux étincelles qui jaillissent. Tenez l'outil de sorte que les étincelles ne jaillissent pas vers vous, vers une personne présente ou vers un matériau inflammable.
29. N'abandonnez pas l'outil alors qu'il tourne. Ne faites fonctionner l'outil qu'une fois que vous l'avez bien en main.
30. Ne touchez jamais la pièce juste après l'opération ; elle peut être extrêmement chaude et vous risquez de vous brûler.
31. Assurez-vous toujours que l'outil est hors tension et débranché ou que la cartouche de batterie est retirée avant d'effectuer toute intervention sur l'outil.
32. Pour installer et utiliser correctement la meule, veuillez suivre les instructions du fabricant. Manipulez les meules avec soin et rangez-les en lieu sûr.
33. N'utilisez aucun raccord de réduction ou adaptateur séparé pour adapter un trou de meule trop grand.
34. Utilisez exclusivement les flasques spécifiés pour cet outil.
35. Dans le cas des outils conçus pour l'utilisation avec une meule à trou fileté, assurez-vous que la longueur du filetage de la meule convient à la longueur de l'axe.
36. Assurez-vous que la pièce à travailler est correctement soutenue.
37. Prenez garde aux étincelles qui jaillissent. Tenez l'outil de sorte que les étincelles ne jaillissent pas vers vous, vers une personne présente ou vers un matériau inflammable.
38. Gardez à l'esprit que la meule continue de tourner même une fois le contact coupé sur l'outil.
39. Si le site de travail est extrêmement chaud et humide ou s'il y a beaucoup de poussières conductrices dans l'air, utilisez un coupe-circuit (30 mA) pour assurer votre sécurité.
40. N'utilisez l'outil sur aucun matériau contenant de l'amiante.
41. N'utilisez ni eau ni lubrifiant de meulage.
42. Assurez-vous que les orifices de ventilation sont toujours bien dégagés lorsque vous travaillez dans des conditions poussiéreuses. Lorsqu'il devient nécessaire de retirer la poussière accumulée, commencez par débrancher l'outil de la prise secteur (utilisez un objet non métallique) et veillez à ne pas endommager les pièces internes.
43. Lorsque vous utilisez une meule à tronçonner, travaillez toujours avec le carter de collecte des poussières exigé par la réglementation locale.
44. Aucune pression latérale ne doit être appliquée sur le disque pendant la coupe.

#### **AVERTISSEMENT :**

Une **UTILISATION INCORRECTE** de l'outil ou un non-respect des consignes de sécurité indiquées dans ce

manuel d'instructions peuvent causer des blessures graves.

## **CONSERVEZ CES INSTRUCTIONS.**

### **DESCRIPTION DU FONCTIONNEMENT**

#### **ATTENTION :**

- Assurez-vous toujours que l'outil est éteint et débranché avant de le régler ou de vérifier son fonctionnement.

#### **Blocage de l'arbre (Fig. 1)**

#### **ATTENTION :**

- N'activez jamais le blocage de l'arbre alors que l'axe bouge. Vous pourriez endommager l'outil.
- Appuyez sur le blocage de l'arbre pour empêcher l'axe de tourner lors de l'installation ou du retrait des accessoires.

#### **Interrupteur (Fig. 2)**

#### **ATTENTION :**

- Avant de brancher l'outil, vérifiez toujours que l'interrupteur à glissière fonctionne bien et revient en position d'arrêt lorsque vous enfoncez sa partie arrière.
- Pour mettre l'outil en marche, glissez l'interrupteur à glissière sur la position "I" (MARCHE). Pour un fonctionnement en continu, appuyez sur la partie avant de l'interrupteur à glissière pour le bloquer.
- Pour arrêter l'outil, appuyez sur la partie arrière de l'interrupteur à glissière, puis glissez ce dernier vers la position "O" (ARRÊT).

#### **Voyant**

Pour les modèles **9561CVR, 9562CVR, 9564CVR, 9565CVR** (Fig. 3)

Pour les modèles **9561CR, 9562CR, 9564CR, 9565CR** (Fig. 4)

Le voyant vert de mise sous tension s'allume lorsque l'outil est branché. Si le voyant ne s'allume pas, il se peut que le cordon d'alimentation ou le contrôleur soit défectueux. Si le voyant est allumé alors que l'outil ne démarre pas même s'il est sous tension, il se peut que les charbons soient usés ou que le contrôleur, le moteur ou l'interrupteur MARCHE/ARRÊT soit défectueux.

#### **Redémarrage involontaire**

L'outil ne démarre pas lorsque l'interrupteur est verrouillé, même si l'outil est branché.

À ce stade, le voyant rouge clignote et indique que le dispositif de sécurité contre un redémarrage involontaire est en cours de fonctionnement.

Pour annuler le redémarrage involontaire, basculez à nouveau l'interrupteur à glissière en position "O" (ARRÊT), puis relâchez-le.

## Cadran de réglage de la vitesse

Pour 9561CVR, 9562CVR, 9564CVR, 9565CVR (Fig. 5)

Vous pouvez modifier la vitesse de rotation en tournant le cadran de réglage de la vitesse selon un chiffre indiqué compris entre 1 et 5.

Tournez le cadran vers le numéro 5 pour augmenter la vitesse et vers le numéro 1 pour la diminuer.

Reportez-vous au tableau suivant pour connaître la vitesse de rotation approximative associée aux numéros figurant sur la molette.

Numéro	min <sup>-1</sup> (tr/mn)
1	2 800
2	4 000
3	6 500
4	9 000
5	11 000

### ATTENTION :

- Le fonctionnement continu de l'outil à vitesse lente pendant des périodes prolongées risque de provoquer une surcharge et une surchauffe du moteur.
- Vous ne pouvez tourner le cadran de réglage de la vitesse que jusqu'aux positions 5 et 1. Ne le forcez pas au-delà des positions 5 ou 1, au risque de provoquer un dysfonctionnement du réglage de la vitesse.

Les outils électroniques sont faciles à utiliser car ils sont équipés des fonctions suivantes.

- Commande électronique de vitesse constante  
Possibilité d'obtenir une très bonne finition, car la vitesse de rotation reste constante même en cas de conditions de charge.
- Fonction de démarrage graduel  
Le choc du démarrage est supprimé grâce au démarrage graduel.
- Disjoncteur de surcharge  
Lorsque la charge sur l'outil dépasse les niveaux admissibles, la puissance au moteur est réduite pour protéger le moteur contre la surchauffe. Lorsque la charge retourne aux niveaux admissibles, l'outil fonctionne normalement.

## ASSEMBLAGE

### ATTENTION :

- Avant d'effectuer toute intervention sur l'outil, assurez-vous toujours qu'il est éteint et débranché.

### Installation de la poignée latérale (manche) (Fig. 6)

### ATTENTION :

- Avant d'utiliser l'outil, assurez-vous toujours que la poignée latérale est installée de façon sûre.
- Vissez la poignée latérale à fond sur la position prévue à cet effet sur l'outil, comme illustré sur la figure.

## Pose ou dépose du carter de meule

Pour les outils équipés d'un carter de meule de type à vis de verrouillage (Fig.7)

### ATTENTION :

- Le carter de meule doit être fixé sur l'outil de façon à toujours recouvrir la partie de la meule qui se trouve du côté de l'utilisateur.

Montez le carter de meule en alignant la partie saillante de la bande du carter sur l'entaille du boîtier d'engrenage. Faites ensuite pivoter le carter de meule à 180 degrés dans le sens inverse des aiguilles d'une montre. Vous devez serrer la vis fermement.

Pour retirer le carter de meule, inversez les étapes de la procédure d'installation.

Pour les outils équipés d'un carter de meule de type levier à bride (Fig. 8 et 9)

Tirez le levier dans le sens de la flèche après avoir desserré la vis. Montez le carter de meule en alignant la partie saillante de la bande du carter sur l'entaille du boîtier d'engrenage. Faites ensuite pivoter le carter de meule à 180°.

Serrez-le avec la vis après avoir tiré le levier dans le sens de la flèche pour le travail à effectuer. Vous pouvez ajuster l'angle de réglage du carter de meule à l'aide du levier.

Pour retirer le carter de meule, inversez les étapes de la procédure d'installation.

### Pose ou dépose de la meule ou du multidisque à moyeu déporté (accessoire) (Fig. 10)

Montez le flasque intérieur sur l'axe. Installez la meule/le disque sur le flasque intérieur et vissez le contre-écrou sur l'axe.

Pour serrer le contre-écrou, appuyez fermement sur le blocage de l'arbre pour empêcher l'axe de tourner, puis utilisez la clé à contre-écrou et serrez fermement dans le sens des aiguilles d'une montre. (Fig. 11)

Pour retirer la meule, inversez les étapes de la procédure d'installation.

### Pose ou dépose d'une meule diamantée (accessoire en option)

### ATTENTION :

- Assurez-vous que la flèche de l'outil pointe dans le même sens que celle de la meule diamantée. (Fig. 12)

Montez le flasque intérieur sur l'axe. Ajustez la meule diamantée sur le flasque intérieur et vissez le contre-écrou sur l'axe. Notez que le côté plat du contre-écrou doit faire face à la meule diamantée en cas d'utilisation de cette dernière.

### Pose ou dépose du capuchon anti-poussière (accessoire fourni en option)

### AVERTISSEMENT :

- Assurez-vous toujours que l'outil est hors tension et débranché avant d'installer ou de retirer le capuchon

anti-poussière. Le non respect de cette consigne peut entraîner l'endommagement de l'outil ou des blessures corporelles.

Il existe trois types de capuchon anti-poussière et chacun d'eux est utilisé dans une position différente. (Fig. 13 à 15)

Placez le capuchon anti-poussière de sorte que le côté comportant le repère (A, B ou C) soit orienté vers la tête de l'outil. Insérez les broches du capuchon anti-poussière dans l'aération. (Fig. 16)

Vous pouvez retirer le capuchon anti-poussière manuellement.

#### REMARQUE :

- Nettoyez le capuchon anti-poussière lorsqu'il est obstrué par de la poussière ou des corps étrangers. Le fonctionnement continu lorsque le capuchon anti-poussière est obstrué risque d'endommager l'outil.

## UTILISATION

#### AVERTISSEMENT :

- Il ne doit jamais être nécessaire de forcer l'outil. Le poids de l'outil lui-même suffit à assurer une pression adéquate. Le forçage de l'outil ou l'application d'une pression excessive sur celui-ci risque de casser la meule.
- Remplacez TOUJOURS la meule si l'outil vous échappe pendant le meulage.
- Ne frappez JAMAIS le disque de meulage ou la meule contre la pièce à travailler.
- Évitez de laisser la meule sautiller ou accrocher, tout spécialement lorsque vous travaillez dans les coins, sur les bords tranchants, etc., au risque de provoquer une perte de contrôle et un rebond.
- N'utilisez JAMAIS cet outil avec des lames à bois et d'autres lames de scie. Les lames de ce type sautent fréquemment lorsqu'elles sont utilisées sur une meuleuse et risquent d'entraîner une perte de contrôle pouvant causer des blessures.

#### ATTENTION :

- Après l'utilisation, mettez toujours l'outil hors tension et attendez l'arrêt complet de la meule avant de reposer l'outil.

### Meulage et ponçage

Tenez TOUJOURS l'outil fermement en posant une main sur le carter et l'autre main sur le manche latéral. Mettez l'outil en marche puis posez la meule ou le disque sur la pièce à travailler.

En général, vous devez maintenir le bord de la meule ou du disque sur un angle d'environ 15 degrés par rapport à la surface de la pièce à travailler.

Pendant la période de rodage d'une meule neuve, ne faites pas avancer la meuleuse dans le sens B, sinon elle risque de couper la pièce à travailler. Une fois le tranchant de la meule rodé, la meule peut être utilisée dans les sens A et B. (Fig. 17)

## Utilisation avec une meule diamantée (accessoire)

#### AVERTISSEMENT :

- Si vous forcez la meule, lui appliquez une pression excessive ou la laissez se plier, se coincer ou se tordre dans la ligne de coupe, vous risquez de provoquer une surchauffe du moteur ou un rebond.

#### ATTENTION :

- Après la coupe, assurez-vous que la meule diamantée a complètement cessé de tourner. Reposez ensuite l'outil. Il est dangereux de reposer l'outil avant de l'éteindre. S'il y a des poussières ou saletés autour de l'outil, ce dernier risque de les aspirer.

Assurez-vous que la meule n'entre pas en contact avec la pièce à travailler.

Mettez l'outil en marche et tenez-le fermement. Attendez que la meule ait atteint sa pleine vitesse. Ensuite, déplacez simplement l'outil vers l'avant sur la surface de la pièce à travailler, en le maintenant bien à plat et en le faisant avancer doucement, jusqu'à ce que la coupe soit terminée.

## MAINTENANCE

#### ATTENTION :

- Assurez-vous toujours que l'outil est éteint et débranché avant d'effectuer tout travail d'inspection ou de maintenance. (Fig. 18)

L'outil et ses orifices d'aération doivent être maintenus propres.

Nettoyez les orifices d'aération de l'outil régulièrement ou à chaque fois qu'ils commencent à se boucher.

Pour assurer la SÉCURITÉ et la FIABILITÉ du produit, toute réparation, inspection et remplacement des charbons, ainsi que toute autre tâche de maintenance ou de réglage, doivent être effectués par un Centre de service agréé Makita, toujours avec des pièces de rechange Makita.

## ACCESSOIRES

#### ATTENTION :

- Ces accessoires ou pièces complémentaires sont recommandés pour l'utilisation avec l'outil Makita spécifié dans ce manuel. L'utilisation de tout autre accessoire ou pièce complémentaire comporte un risque de blessures. Utilisez uniquement l'accessoire ou la pièce complémentaire dans le but spécifié.

Pour obtenir plus de détails sur ces accessoires, contactez votre Centre de service après-vente Makita le plus proche.

- Carter de meule (capot protecteur de la meule)
- Flasque intérieur
- Meules à moyeu déporté
- Contre-écrou (pour meule à moyeu déporté)
- Coussinet en caoutchouc
- Disques abrasifs
- Contre-écrou (pour disque abrasif)
- Clé à contre-écrou
- Brosse coupe métallique



- Brosse métallique en biseau 85
- Poignée latérale
- Meule diamantée
- Carter de collecte des poussières

**Pour les modèles 9561CR, 9561CVR, 9562CR, 9562CVR**

**Pour les pays européens uniquement**

**Bruit** ENG101-1

Les niveaux de bruit pondéré A typiques ont été mesurés selon la norme EN60745-2-3 :

Niveau de pression sonore ( $L_{pA}$ ) : 83 dB (A)

Incertitude (K) : 3 dB (A)

Le niveau de bruit peut dépasser 85 dB (A) lors de l'utilisation.

**Portez des protections auditives.**

**Vibration** ENG208-2

La valeur totale de vibration (somme du vecteur triaxial) déterminée selon EN60745-2-3 :

Mode de fonctionnement : meulage de surface

Émission de vibrations ( $a_{h,AG}$ ) : 8,5 m/s<sup>2</sup>

Incertitude (K) : 1,5 m/s<sup>2</sup>

Les valeurs d'émission de vibrations peuvent être différentes pour le tronçonnage et le brossage métallique.

**Pour les modèles 9564CR, 9564CVR**

**Pour les pays européens uniquement**

**Bruit** ENG101-1

Les niveaux de bruit pondéré A typiques ont été mesurés selon la norme EN60745-2-3 :

Niveau de pression sonore ( $L_{pA}$ ) : 83 dB (A)

Incertitude (K) : 3 dB (A)

Le niveau de bruit peut dépasser 85 dB (A) lors de l'utilisation.

**Portez des protections auditives.**

**Vibration** ENG208-2

La valeur totale de vibration (somme du vecteur triaxial) déterminée selon EN60745-2-3 :

Mode de fonctionnement : meulage de surface

Émission de vibrations ( $a_{h,AG}$ ) : 8,0 m/s<sup>2</sup>

Incertitude (K) : 1,5 m/s<sup>2</sup>

Les valeurs d'émission de vibrations peuvent être différentes pour le tronçonnage et le brossage métallique.

**Pour les modèles 9565CR, 9565CVR**

**Pour les pays européens uniquement**

**Bruit** ENG101-1

Les niveaux de bruit pondéré A typiques ont été mesurés selon la norme EN60745-2-3 :

Niveau de pression sonore ( $L_{pA}$ ) : 82 dB (A)

Incertitude (K) : 3 dB (A)

Le niveau de bruit peut dépasser 85 dB (A) lors de l'utilisation.

**Portez des protections auditives.**

**Vibration** ENG208-2

La valeur totale de vibration (somme du vecteur triaxial) déterminée selon EN60745-2-3 :

Mode de fonctionnement : meulage de surface

Émission de vibrations ( $a_{h,AG}$ ) : 8,0 m/s<sup>2</sup>

Incertitude (K) : 1,5 m/s<sup>2</sup>

Les valeurs d'émission de vibrations peuvent être différentes pour le tronçonnage et le brossage métallique.

**DÉCLARATION DE CONFORMITÉ CE** ENH001-8

**9561CR, 9561CVR, 9562CR, 9562CVR, 9564CR, 9564CVR, 9565CR, 9565CVR**

Nous déclarons, sous notre entière responsabilité, que ce produit répond aux normes suivantes de documents normalisés :

EN50144, EN55014, EN61000 conformément aux Directives du Conseil, 2004/108/CE, 98/37/CE.

**CE 2008**



Tomoyasu Kato  
Directeur

Fabricant responsable :

**Makita Corporation**

3-11-8, Sumiyoshi-cho, Anjo, Aichi, JAPON

Représentant agréé en Europe :

**Makita International Europe Ltd.**

Michigan Drive, Tongwell, Milton Keynes, Bucks MK15 8JD, ANGLETERRE

# DEUTSCH

## Erklärung der Gesamtdarstellung

- |                                       |  |                              |
|---------------------------------------|--|------------------------------|
| 1. Spindelarretierung                 | 8. Schraube  | 15. Spindel                  |
| 2. Schiebeschalter                    | 9. Hebel   | 16. Markierung A             |
| 3. Anzeigeleuchte (Drehzahl-Stellrad) | 10. Sicherungsmutter                               | 17. Markierung B             |
| 4. Anzeigeleuchte                     | 11. Gekröpfte Trennschleifscheibe/<br>Multischeibe | 18. Markierung C             |
| 5. Drehzahl-Stellrad                  | 12. Innenflansch                                   | 19. Stift                    |
| 6. Schutzhaube                        | 13. Sicherungsmutterschlüssel                      | 20. Lüftungsschlitze         |
| 7. Lagergehäuse                       | 14. Diamantscheibe                                 | 21. Schlitz für Luftaustritt |
|                                       |  | 22. Schlitz für Lufteintritt |

## TECHNISCHE DATEN

Durchmesser der gekröpften Trennschleifscheibe Spindelgewinde	115 mm M14	9561CR	9564CR	9561CVR	9564CVR
	125 mm M14	9562CR	9565CR	9562CVR	9565CVR
Nenndrehzahl (n) / Leerlaufdrehzahl (n <sub>0</sub> )		11.000 (min <sup>-1</sup> )	11.000 (min <sup>-1</sup> )	2.800 - 11.000 (min <sup>-1</sup> )	2.800 - 11.000 (min <sup>-1</sup> )
Gesamtlänge		289 mm	299 mm	289 mm	299 mm
Nettogewicht		1,8 kg	1,8 kg	1,8 kg	1,8 kg
Sicherheitsklasse		II/II			

- Aufgrund unserer weiterführenden Forschungen und Entwicklungen sind Änderungen an den hier angegebenen Technischen Daten ohne Vorankündigung vorbehalten.
- Hinweis: Die Technischen Daten können in einzelnen Ländern voneinander abweichen.

### Symbole

END202-4

Im Folgenden sind die im Zusammenhang mit diesem Werkzeug verwendeten Symbole dargestellt. Machen Sie sich vor der Benutzung des Werkzeugs unbedingt mit diesen Symbolen vertraut.



.....Lesen Sie die vorliegende Betriebsanleitung.



.....DOPPELT SCHUTZISOLIERT



.....Tragen Sie eine Schutzbrille.

### Verwendungszweck

ENE048-1

Das Werkzeug ist für das Schneiden und Schleifen von Metall- und Steinmaterial ohne Verwendung von Wasser vorgesehen.

### Stromversorgung

ENF002-1

Das Werkzeug darf nur an eine Stromversorgung mit der auf dem Typenschild angegebenen Spannung und einphasigem Wechselstrom angeschlossen werden. Aufgrund der Doppelisolierung nach europäischem Standard kann das Werkzeug auch an Steckdosen ohne Erdungsleiter betrieben werden.

## BESONDERE SICHERHEITSHINWEISE

GEB033-1

Lassen Sie sich **NIE** durch **Bequemlichkeit oder (aus fortwährendem Gebrauch gewonnener) Vertrautheit mit dem Gerät dazu verleiten, die Sicherheitsregeln**

**für den Schleifer zu missachten. Wenn dieses Werkzeug fahrlässig oder nicht ordnungsgemäß verwendet wird, kann es zu schweren Verletzungen kommen.**

- 1. Allgemeine Sicherheitshinweise für das Schleifen, Schmirgeln, Drahtbürsten oder Trennschleifen:**
- 2. Dieses Werkzeug wurde für die Verwendung als Schleifmaschine, Schmirgelschleifmaschine, Drahtbürste oder Trennmaschine hergestellt. Lesen Sie alle Sicherheitshinweise, Anweisungen, Abbildungen und Spezifikationen durch, die mit diesem Elektrowerkzeug geliefert wurden.** Werden nicht alle der unten aufgeführten Anweisungen befolgt, besteht die Gefahr eines Stromschlags, Brands und/oder die Gefahr schwerer Verletzungen.
- 3. Andere Arbeiten, wie zum Beispiel Polieren, sollten nicht mit diesem Elektrowerkzeug durchgeführt werden.** Bei Arbeiten, für die das Elektrowerkzeug nicht vorgesehen ist, kann es möglicherweise zu gefährlichen Situationen und zu Verletzungen kommen.
- 4. Verwenden Sie nur Zubehör, das vom Hersteller des Geräts entwickelt oder von ihm ausdrücklich empfohlen wurde.** Nur weil Sie ein Zubehör am Werkzeug befestigen können, bedeutet dies nicht, dass die Verwendung gefahrlos möglich ist.
- 5. Die Nenndrehzahl des Zubehörs muss mindestens der auf dem Elektrowerkzeug angegebenen Höchstdrehzahl entsprechen.** Zubehör, das mit einer höheren Drehzahl als der zulässigen Drehzahl betrieben wird, kann zerbrechen und zerbersten.
- 6. Außendurchmesser und Stärke des Zubehörs müssen innerhalb der Nennleistung Ihres**

- Elektrowerkzeugs liegen.** Zubehör in falscher Größe kann nicht angemessen abgedeckt oder betrieben werden.
7. **Schleifscheiben, Flansche, Schleifteller und anderes Zubehör müssen genau auf die Schleifspindel des Elektrowerkzeugs passen.** Zubehörteile mit Spindellöchern, die nicht den Montageteilen des Elektrowerkzeugs entsprechen, laufen exzentrisch, schwingen stark und führen zum Kontrollverlust.
  8. **Verwenden Sie kein beschädigtes Zubehör. Überprüfen Sie vor jeder Verwendung das Zubehör, beispielsweise die Schleifscheiben auf Splitter und Risse, die Stützlager auf Risse, Abrisse oder übermäßigen Verschleiß, Drahtbürsten auf lose oder gebrochene Borsten. Falls das Elektrowerkzeug oder Zubehör zu Boden gefallen ist, überprüfen Sie es auf Beschädigungen und bauen Sie ggf. ein unbeschädigtes Zubehörteil ein. Nachdem Sie das Zubehör kontrolliert und eingesetzt haben, treten Sie und alle Personen in der Nähe aus der Ebene des rotierenden Zubehörs und lassen Sie das Elektrowerkzeug eine Minute lang mit Höchstdrehzahl laufen.** Möglicherweise beschädigtes Zubehör würde üblicherweise innerhalb dieser Testzeit zerbersten.
  9. **Tragen Sie eine persönliche Schutzausrüstung. Tragen Sie je nach Arbeitsaufgabe einen Gesichtsschild oder eine Schutzbrille. Soweit angemessen, tragen Sie Staubmaske, Gehörschutz, Schutzhandschuhe oder Spezialschürze, um kleine Schleif- und Materialpartikel von Ihnen fernzuhalten.** Der Augenschutz muss umherfliegende Fremdkörper abhalten können, die bei verschiedenen Arbeiten entstehen. Die Staubmaske oder Atemschutzmaske muss Partikel herausfiltern können, die bei verschiedenen Arbeiten entstehen. Lange und intensive Lärmbelastung kann zu Hörverlust führen.
  10. **Achten Sie darauf, dass Zuschauer den Sicherheitsabstand zum Arbeitsbereich einhalten. Jeder, der den Arbeitsbereich betritt, muss eine Schutzausrüstung tragen.** Splitter des Werkstücks oder eines zerbrochenen Zubehörteils können umherfliegen und zu Verletzungen auch außerhalb des eigentlichen Arbeitsbereichs führen.
  11. **Halten Sie das Elektrowerkzeug an den isolierten Griffflächen, wenn Sie unter Bedingungen arbeiten, bei denen das Schneidwerkzeug nicht sichtbare Stromkabel oder das eigene Kabel berühren kann.** Bei Kontakt des Trennwerkzeugs mit einem Strom führenden Kabel wird der Strom an die Metallteile des Elektrowerkzeugs und dadurch an den Bediener weitergeleitet, und der Bediener erleidet einen Stromschlag.
  12. **Halten Sie das Netzkabel von sich drehendem Zubehör fern.** Falls Sie die Kontrolle über das Elektrowerkzeug verlieren, kann das Netzkabel durchtrennt oder erfasst werden und Ihre Hand oder Ihr Arm kann in das rotierende Zubehör geraten.
  13. **Legen Sie das Elektrowerkzeug erst dann ab, nachdem das Einsatzwerkzeug völlig zum Stillstand gekommen ist.** Das rotierende Zubehör könnte Kontakt zur Auflagefläche erhalten, sodass Sie die Kontrolle über das Elektrowerkzeug verlieren.
  14. **Lassen Sie das Elektrowerkzeug nicht laufen, während Sie es tragen.** Ihre Kleidung kann durch zufälligen Kontakt mit dem sich drehenden Zubehör erfasst werden, und das Zubehör sich in Ihren Körper bohren.
  15. **Reinigen Sie regelmäßig die Lüftungsschlitze Ihres Elektrowerkzeugs.** Der Motorventilator zieht Staub in das Gehäuse hinein und eine übermäßige Ansammlung von Metallspänen kann elektrische Gefahren verursachen.
  16. **Betreiben Sie das Elektrowerkzeug nicht in der Nähe brennbarer Materialien.** Funken können diese Materialien entzünden.
  17. **Verwenden Sie keine Zubehörteile, die flüssige Kühlmittel benötigen.** Die Verwendung von Wasser oder anderen flüssigen Kühlmitteln kann zu einem Stromschlag führen.
  18. **Rückschläge und zugehörige Warnhinweise**  
Ein Rückschlag ist eine plötzliche Reaktion einer verklemmten oder verfangenen rotierenden Schleifscheibe, des Stützlagers, der Bürste oder anderen Zubehörs. Durch Verklemmen oder Verfangen kommt es zu einem plötzlichen Stillstand des rotierenden Zubehörs, sodass das Elektrowerkzeug in entgegengesetzte Rotationsrichtung des Zubehörs am Punkt des Festlaufens gezwungen wird.  
Wird eine Trennscheibe beispielsweise durch das Werkstück verklemmt, kann die Kante, die in den Punkt des Verklemmens eindringt, in die Oberfläche des Materials eindringen, sodass die Scheibe ausschlägt. Die Scheibe springt entweder in Ihre Richtung oder vom Bediener weg, dies hängt von der Richtung der Scheibenbewegung am Punkt des Verklemmens ab.  
Unter diesen Umständen können Trennscheiben auch brechen.  
Rückschläge werden durch eine falsche Handhabung des Elektrowerkzeugs und/oder unsachgemäße Bedienschritte oder -umstände verursacht und können durch die unten aufgeführten Maßnahmen vermieden werden.
    - a) **Halten Sie das Elektrowerkzeug stets mit beiden Händen gut fest, und halten Sie Ihren Körper und Ihre Arme so, dass Sie Rückschläge abwehren können. Verwenden Sie immer den Zusatzgriff, sofern vorhanden, um größtmögliche Kontrolle über Rückschlagkräfte oder Reaktionsmomente beim Hochlauf zu haben.** Die Bedienperson kann durch geeignete Vorsichtsmaßnahmen die Rückschlag- und Reaktionskräfte beherrschen.
    - b) **Bringen Sie Ihre Hand nie in die Nähe sich drehender Einsatzwerkzeuge.** Das Zubehör könnte über Ihre Hand zurückschlagen.
    - c) **Meiden Sie mit Ihrem Körper den Bereich, in den das Elektrowerkzeug bei einem Rückschlag**

**bewegt wird.** Der Rückschlag treibt das Elektrowerkzeug in die Richtung entgegengesetzt zur Bewegung der Schleifscheibe an der Blockierstelle.

d) **Arbeiten Sie besonders vorsichtig im Bereich von Ecken, scharfen Kanten usw. Verhindern Sie, dass Einsatzwerkzeuge vom Werkstück zurückprallen und verklemmen.** Das rotierende Einsatzwerkzeug neigt bei Ecken, scharfen Kanten oder wenn es abprallt dazu, sich zu verklemmen. Dies verursacht einen Verlust der Kontrolle oder Rückschlag.

e) **Verwenden Sie kein Ketten- oder gezähntes Sägeblatt.** Solche Werkzeuge verursachen häufig einen Rückschlag oder den Verlust der Kontrolle über das Elektrowerkzeug.

#### 19. **Besondere Warnhinweise zum Schneiden und Trennschleifen:**

a) **Verwenden Sie ausschließlich die für Ihr Elektrowerkzeug zugelassenen Schleifkörper und die für diese Schleifkörper vorgesehene Schutzhaube.** Schleifkörper, die nicht für das Elektrowerkzeug vorgesehen sind, können nicht ausreichend abgeschirmt werden und sind unsicher.

b) **Zur optimalen Sicherheit muss die Schutzhaube sicher am Elektrowerkzeug angebracht und positioniert sein, sodass der kleinstmögliche Teil des Schleifkörpers zur Bedienperson freiliegt.** Die Schutzabdeckung soll die Bedienperson vor Bruchstücken und zufälligem Kontakt mit dem Schleifkörper schützen.

c) **Die Schleifscheiben dürfen nur für die empfohlenen Arbeiten verwendet werden. Beispiel: Schleifen Sie nie mit der Seitenfläche einer Trennscheibe.** Trennscheiben sind zum Materialabtrag mit der Kante der Scheibe bestimmt. Durch seitliche Kraftereinwirkung auf diese Schleifkörper können diese zerbrechen.

d) **Verwenden Sie immer unbeschädigte Spannflansche in der richtigen Größe und Form für die von Ihnen gewählte Schleifscheibe.** Geeignete Flansche stützen die Schleifscheibe und verringern so die Gefahr eines Schleifscheibenbruchs. Flansche für Trennscheiben unterscheiden sich möglicherweise von Flanschen für Schleifscheiben.

e) **Verwenden Sie keine abgenutzten Schleifscheiben von größeren Elektrowerkzeugen.** Schleifscheiben für größere Elektrowerkzeuge sind nicht für die höheren Drehzahlen von kleineren Elektrowerkzeugen ausgelegt und können brechen.

#### 20. **Weitere Sicherheitshinweise für das Trennschleifen:**

a) **Klemmen Sie die Trennscheibe nicht fest und üben Sie keinen übermäßigen Druck aus. Führen Sie keine übermäßig tiefen Schnitte aus.** Eine Überlastung der Scheibe erhöht deren Beanspruchung und die Anfälligkeit zum Verkanten oder Blockieren und damit die Möglichkeit eines Rückschlags oder Schleifkörperbruchs.

b) **Meiden Sie den Bereich vor und hinter der rotierenden Trennscheibe.** Wenn sich die Scheibe während des Betriebs von Ihrem Körper wegbewegt,

kann im Falle eines Rückschlags das Elektrowerkzeug mit der sich drehenden Scheibe direkt auf Sie zugeschleudert werden.

c) **Falls die Trennscheibe verklemmt oder Sie die Arbeit unterbrechen, schalten Sie das Elektrowerkzeug aus und halten Sie es ruhig, bis die Scheibe zum Stillstand gekommen ist. Versuchen Sie nie, die noch laufende Trennscheibe aus dem Schnitt zu ziehen, sonst kann ein Rückschlag erfolgen.** Überprüfen Sie die Ursache für das Verkanten der Scheibe und ergreifen Sie Korrekturmaßnahmen.

d) **Starten Sie den Schnittvorgang nicht im Werkstück. Lassen Sie die Trennscheibe erst ihre volle Drehzahl erreichen, bevor Sie den Schnitt vorsichtig fortsetzen.** Die Scheibe kann sich verkantet, hochspringen oder zurückschlagen, wenn das Werkzeug im Werkstück eingeschaltet wird.

e) **Stützen Sie Platten oder große Werkstücke ab, um das Risiko eines Rückschlags durch eine eingeklemmte Trennscheibe zu vermindern.** Große Werkstücke können sich unter ihrem eigenen Gewicht durchbiegen. Bringen Sie Stützen nahe der Schnittlinie und der Werkstückkante unter dem Werkstück zu beiden Seiten der Scheibe an.

f) **Seien Sie besonders vorsichtig, wenn Sie einen „Tauchschnitt“ in Wände oder andere nicht einsehbare Bereiche ausführen.** Die eintauchende Trennscheibe kann beim Schneiden in Gas- oder Wasserleitungen, elektrische Leitungen oder andere Objekte einen Rückschlag verursachen.

#### 21. **Spezifische Sicherheitshinweise für das Schmirgeln:**

a) **Verwenden Sie kein zu großes Schmirgelscheibepapier. Befolgen Sie bei der Auswahl des Schmirgelpapiers die Empfehlungen der Hersteller.** Zu großes Schmirgelpapier, das über den Schleifteller hinausreicht, stellt eine Verletzungsgefahr dar und kann zum Verfangen, Abriss der Scheibe oder zum Zurückschlagen führen.

#### 22. **Spezifische Sicherheitshinweise für das Drahtbürsten:**

a) **Beachten Sie, dass die Drahtbürste auch während des üblichen Gebrauchs Drahtstücke verliert. Überlasten Sie die Drähte nicht durch zu hohen Anpressdruck.** Die Drahtborsten können leicht in lockere Kleidung und/oder die Haut eindringen.

b) **Wird eine Schutzhaube empfohlen, verhindern Sie, dass sich Schutzhaube und Drahtbürste berühren können.** Auf Grund der Last und der Zentrifugalkräfte kann sich der Durchmesser der Drahtbürste vergrößern.

#### 23. **Verwenden Sie nur glasfaserverstärkte Scheiben als gekrüpfte Trennschleifscheiben.**

#### 24. **Achten Sie sorgfältig darauf, dass Spindel, Flansch (insbesondere die Ansatzfläche) oder Sicherungsmutter nicht beschädigt werden. Eine Beschädigung dieser Teile kann zu einem Scheibenbruch führen.**

25. Stellen Sie sicher, dass die Trennscheibe das Werkstück nicht berührt, bevor das Werkzeug eingeschaltet wurde.
26. Bevor Sie das Werkzeug auf das zu bearbeitende Werkstück ansetzen, lassen Sie es einige Zeit ohne Last laufen. Achten Sie auf Vibrationen und Schlagen; beides gibt Aufschluss über eine schlecht ausgewuchtete Scheibe oder kann auf einen nicht fachgerechten Einbau deuten.
27. Verwenden Sie das Werkzeug für Schleifarbeiten nur die vorgeschriebene Fläche der Schleifscheibe.
28. Achten Sie auf den Funkenflug. Halten Sie das Werkzeug so, dass Sie, umstehende Personen oder leicht entzündliche Materialien nicht von den Funken getroffen werden.
29. Lassen Sie das Werkzeug nicht unbeaufsichtigt eingeschaltet. Das Werkzeug darf nur dann eingeschaltet sein, wenn es festgehalten wird.
30. Vermeiden Sie eine Berührung des Werkstücks unmittelbar nach der Bearbeitung, da es dann noch sehr heiß ist und Hautverbrennungen verursachen kann.
31. Schalten Sie das Werkzeug stets aus und ziehen Sie den Netzstecker oder entfernen Sie den Akkublock, bevor Sie Arbeiten am Werkzeug ausführen.
32. Befolgen Sie die Anweisungen des Herstellers zur korrekten Montage und Verwendung von Trennscheiben. Behandeln und lagern Sie Trennscheiben mit Sorgfalt.
33. Verwenden Sie keine separaten Reduzierbuchsen oder Adapter zur Anpassung von Schleifscheiben mit großem Durchmesser.
34. Verwenden Sie nur die für dieses Werkzeug vorgeschriebenen Flansche.
35. Wenn eine Trennscheibe mit Gewindebohrung am Werkzeug montiert werden soll, achten Sie darauf, dass ihr Gewinde tief genug für die Spindellänge ist.
36. Vergewissern Sie sich, dass das Werkstück sicher eingespannt ist.
37. Achten Sie auf den Funkenflug. Halten Sie das Werkzeug so, dass Sie, umstehende Personen oder leicht entzündliche Materialien nicht von den Funken getroffen werden.
38. Beachten Sie, dass sich die Schleifscheibe nach dem Ausschalten der Maschine noch weiterdreht.
39. Falls der Arbeitsplatz sehr heiß, feucht oder durch leitfähigen Staub stark verschmutzt ist, verwenden Sie einen Kurzschlusschalter (30 mA) zum Schutz des Bedieners.
40. Verwenden Sie dieses Werkzeug nicht zum Schneiden von asbesthaltigen Materialien.
41. Verwenden Sie kein Wasser oder Schleiföl.
42. Achten Sie beim Arbeiten unter staubigen Bedingungen darauf, dass die Ventilationsöffnungen frei bleiben. Sollte die Beseitigung von Staub notwendig sein, trennen Sie das Werkzeug zuerst vom Stromnetz
- (nichtmetallische Gegenstände verwenden), und vermeiden Sie eine Beschädigung der Innenteile.
43. Verwenden Sie bei Arbeiten mit der Trennscheibe immer eine gesetzlich vorgeschriebene Staubsammelhaube.
44. Die Trennscheiben dürfen keinem seitlichen Druck ausgesetzt werden.

#### WARNUNG:

Eine MISSBRÄUCLICHE Verwendung des Werkzeugs und die Missachtung der in diesem Handbuch enthaltenen Sicherheitshinweise können zu schweren Personenschäden führen.

## BEWAHREN SIE DIESE ANWEISUNGEN SORGFÄLTIG AUF.

## FUNKTIONSBESCHREIBUNG

#### ACHTUNG:

- Schalten Sie das Werkzeug stets aus und ziehen Sie den Stecker, bevor Sie Einstellungen oder eine Funktionsprüfung des Werkzeugs vornehmen.

### Spindel-Arretiertaste (Abb. 1)

#### ACHTUNG:

- Betätigen Sie die Spindelarretierung niemals bei rotierender Spindel. Andernfalls kann das Werkzeug beschädigt werden.

Drücken Sie die Spindelarretierung, um die Spindel beim Montieren oder Demontieren von Zubehör zu blockieren.

### Bedienung des Schalters (Abb. 2)

#### ACHTUNG:

- Stellen Sie vor dem Anschließen des Werkzeugs an das Stromnetz sicher, dass sich der Schiebeschalter korrekt bedienen lässt und in Stellung „OFF“ (AUS) zurückkehrt, sobald das hintere Ende des Schiebeschalters nach unten gedrückt wird.

Um das Werkzeug einzuschalten, schieben Sie den Schiebeschalter auf die Position „I (ON)“. Um das Werkzeug für Dauerbetrieb einzuschalten, drücken Sie auf die Vorderseite des Schiebeschalters, damit der Schalter arretiert wird.

Wenn Sie das Werkzeug anhalten möchten, drücken Sie das hintere Ende des Schiebeschalters, und schieben Sie diesen dann in die Position „O (OFF)“.

### Anzeigeleuchte

Für Modelle 9561CVR, 9562CVR, 9564CVR, 9565CVR (Abb. 3)

Für Modelle 9561CR, 9562CR, 9564CR, 9565CR (Abb. 4)

Die Anzeigen leuchtet grün, sobald das Werkzeug an die Stromversorgung angeschlossen ist. Wenn die Anzeige nicht leuchtet, können das Stromkabel oder der Regler defekt sein. Wenn die Anzeige leuchtet und das Werkzeug nicht startet, obwohl es eingeschaltet wird,

können die Kohlebürsten verbraucht sein, oder der Motor oder der Schalter sind defekt.

## Sicherung vor unbeabsichtigtem Neustart

Wenn der Schalter in der EIN-Position verriegelt ist, läuft das Werkzeug nicht an, wenn das Werkzeug an die Stromversorgung angeschlossen wird.

Zu diesem Zeitpunkt flackert die Anzeige rot und zeigt die Aktivierung des Schutzgeräts zur Verhinderung eines unbeabsichtigten Neustarts an.

Um die Sicherung vor unbeabsichtigtem Neustart zu deaktivieren, bringen Sie den Schiebeschalter in die Position „O (OFF)“ und lassen Sie anschließend den Schalter los.

## Drehzahl-Stellrad

Für 9561CVR, 9562CVR, 9564CVR, 9565CVR (Abb. 5)

Die Drehzahl kann durch Drehen des Drehzahl-Stellrads auf eine der vorgegebenen Stellungen 1 bis 5 geändert werden.

Sie stellen eine höhere Geschwindigkeit ein, wenn das Rad in Richtung der Zahl 5 gedreht wird; wird es in Richtung der Zahl 1 gedreht, verringert sich die Geschwindigkeit.

In der folgenden Tabelle finden Sie die Angaben, welche Zahl am Stellrad welcher Drehzahl entspricht.

Nummer	min <sup>-1</sup>
1	2.800
2	4.000
3	6.500
4	9.000
5	11.000

### ACHTUNG:

- Wenn das Werkzeug längere Zeit dauerhaft bei niedriger Drehzahl betrieben wird, wird der Motor überlastet und überhitzt sich.
- Das Drehzahl-Stellrad lässt sich nur bis 5 und zurück auf 1 drehen. Wird es gewaltsam über 5 oder 1 hinaus gedreht, lässt sich die Drehzahl möglicherweise nicht mehr einstellen.

Die Werkzeuge verfügen über elektronische Funktionen und sind auf Grund der folgenden Merkmale einfach zu bedienen.

- Elektronische Drehzahlstabilisierung  
Auch bei Belastung wird durch eine konstant gehaltene Drehzahl eine saubere Oberfläche erreicht.
- Soft-Start-Funktion  
Weiches Anlaufen auf Grund eines unterdrückten Anlaufdruckens.
- Überlastungsschutz  
Wenn die Last auf dem Werkzeug den erlaubten Pegel überschreitet, wird die Stromzufuhr an den Motor gedrosselt, um den Motor vor Überhitzung zu schützen. Wenn die Last wieder auf den erlaubten Pegel absinkt, wird das Werkzeug normal betrieben.

## MONTAGE

### ACHTUNG:

- Schalten Sie das Werkzeug stets aus und ziehen Sie den Stecker, bevor Sie irgendwelche Arbeiten am Werkzeug durchführen.

## Einsetzen des Seitengriffs (Zusatzgriff) (Abb. 6)

### ACHTUNG:

- Vergewissern Sie sich vor dem Betrieb stets, dass der Seitengriff einwandfrei montiert ist.
- Schrauben Sie den Seitengriff an der in der Abbildung gezeigten Position fest an die Maschine.

## Montage und Demontage der Schutzhaube

### Für Werkzeug mit Schutzhaube und Sicherungsschraube (Abb. 7)

### ACHTUNG:

- Die Schutzhaube muss so an der Maschine angebracht werden, dass ihre geschlossene Seite immer zum Bediener gerichtet ist.

Montieren Sie die Schutzhaube so, dass der Vorsprung am Schutzhaubenring an der Nut im Lagergehäuse ausgerichtet ist. Drehen Sie dann die Schutzhaube um 180 Grad gegen den Uhrzeigersinn. Achten Sie darauf, die Schraube fest anzuziehen.

Zum Demontieren der Schutzhaube müssen Sie die Einbauprozedur in umgekehrter Reihenfolge ausführen.

### Für Werkzeug mit Schutzhaube und Klemmhebel (Abb. 8 und 9)

Lösen Sie die Schraube und ziehen Sie den Hebel in Pfeilrichtung. Montieren Sie die Schutzhaube so, dass der Vorsprung am Schutzhaubenring an der Nut im Lagergehäuse ausgerichtet ist. Drehen Sie dann die Schutzhaube um 180°.

Drücken Sie den Hebel in Richtung des Pfeils für die Arretierungsposition und befestigen Sie die Haube mit Hilfe der Schraube. Mit dem Hebel kann der Einstellwinkel der Schutzhaube geändert werden.

Zum Demontieren der Schutzhaube führen Sie die Einbauprozedur in umgekehrter Reihenfolge aus.

## Montage und Demontage der gekröpften Trennschleifscheibe/Multis Scheibe (Zubehör) (Abb. 10)

Setzen Sie den Innenflansch auf die Spindel. Setzen Sie die Trenn-/Schleifscheibe auf den Innenflansch, und schrauben Sie die Sicherungsmutter auf die Spindel. Drücken Sie zum Anziehen der Sicherungsmutter die Spindelarretierung fest, um die Spindel zu blockieren; ziehen Sie dann die Mutter mit dem Sicherungsmutterschlüssel im Uhrzeigersinn fest an. (Abb. 11)

Zum Entnehmen der Trennscheibe befolgen Sie die Einbauprozedur rückwärts.

## Montage und Demontage der Diamantscheibe (optionales Zubehör)

### ACHTUNG:

- Vergewissern Sie sich, dass der Pfeil am Werkzeug in dieselbe Richtung zeigt wie der Pfeil an der Diamantscheibe. (**Abb. 12**)

Setzen Sie den Innenflansch auf die Spindel. Setzen Sie die Diamantscheibe auf den Innenflansch, und schrauben Sie die Sicherungsmutter auf die Spindel. Bei Verwendung einer Diamantscheibe muss beachtet werden, dass die flache Seite der Sicherungsmutter in Richtung Diamantscheibe zeigen muss.

## Montage und Demontage des Staubfängers (optionales Zubehör)

### WARNUNG:

- Schalten Sie das Werkzeug stets aus und ziehen Sie den Stecker, bevor Sie den Staubfänger einsetzen oder entfernen. Andernfalls kann es zu einer Beschädigung des Werkzeugs oder zu Verletzungen kommen.

Es gibt drei Typen von Staubfängern für verschiedene Positionen. (**Abbn. 13 - 15**)

Positionieren Sie den Staubfänger so, dass die Seite des Staubfängers mit der Markierung (A, B oder C) in Richtung Werkzeugkopf zeigt. Drücken Sie die Stifte des Staubfängers in den Schlietz. (**Abb. 16**)

Der Staubfänger kann ohne Hilfe von Werkzeugen abgenommen werden.

### HINWEIS:

- Reinigen Sie den Staubfänger, wenn der Staubfänger mit Staub oder anderen Materialien verunreinigt ist. Wenn Sie die Arbeiten mit einem verstopften Staubfänger fortsetzen, wird das Werkzeug beschädigt.

## BETRIEB

### WARNUNG:

- Die Maschine darf auf keinen Fall gewaltsam angedrückt werden. Das Eigengewicht der Maschine übt ausreichenden Druck aus. Gewaltanwendung und übermäßiger Druck können zu einem gefährlichen Schleifscheibenbruch führen.
- Wechseln Sie die Schleifscheibe IMMER aus, falls die Maschine während der Arbeit fallen gelassen wurde.
- Eine Schleif- oder Trennscheibe darf NIEMALS gegen das Werkstück geschlagen oder gestoßen werden.
- Achten Sie besonders beim Bearbeiten von Ecken, scharfen Kanten usw. darauf, dass die Schleifscheibe nicht springt oder hängen bleibt. Dies könnte den Verlust der Kontrolle und Rückschläge verursachen.
- Verwenden Sie das Werkzeug NIEMALS mit Holzschneide- oder anderen Sägeblättern. Solche Sägeblätter verursachen bei Verwendung an einer Schleifmaschine häufiges Rückschlagen und Verlust der Kontrolle, was zu Verletzungen führen kann.

### ACHTUNG:

- Schalten Sie die Maschine nach der Arbeit stets aus, und warten Sie, bis die Scheibe zum völligen Stillstand gekommen ist, bevor Sie die Maschine ablegen.

## Schleifen und Schmirgeln

Halten Sie die Maschine IMMER mit einer Hand am Gehäuse und mit der anderen am Seitengriff fest.

Schalten Sie die Maschine ein, und setzen Sie dann die Trenn- oder Schleifscheibe an das Werkstück an. Halten Sie die Trenn- oder Schleifscheibe im Allgemeinen in einem Winkel von etwa 15 Grad zur Werkstoffoberfläche.

Bewegen Sie die Schleifmaschine beim Einschleifen einer neuen Schleifscheibe nicht in Richtung B, weil die Schleifscheibe sonst in das Werkstück einschneidet. Sobald die Schleifscheibenkante durch Gebrauch abgerundet ist, kann die Schleifscheibe sowohl in Richtung A als auch in Richtung B bewegt werden. (**Abb. 17**)

## Betrieb mit einer Diamantscheibe (Zubehörteil)

### WARNUNG:

- Gewaltanwendung und übermäßiger Druck oder im Schnitt verbogene, eingeklemmte oder verdrehte Scheiben können zu einer Überlastung des Motors und einem gefährlichen Rückschlag des Werkzeugs führen.

### ACHTUNG:

- Vergewissern Sie sich nach einem Schnitt, dass die rotierende Diamantscheibe vollständig zu einem Stillstand kommt. Legen Sie dann das Werkzeug ab. Es ist gefährlich, das Werkzeug bereits vor dem Ausschalten abzulegen. Falls sich in der Umgebung des Werkzeugs Schmutz oder Staub befindet, kann dieser vom Werkzeug eingesogen werden.

Die Schleifscheibe darf das Werkstück nicht berühren. Schalten Sie das Werkzeug ein, und halten Sie es gut fest. Warten Sie, bis die Scheibe ihre volle Drehzahl erreicht hat. Schieben Sie nun das Werkzeug flach und gleichmäßig über die Oberfläche des Werkstücks vor, bis der Schnitt vollendet ist.

## WARTUNG

### ACHTUNG:

- Schalten Sie das Werkzeug stets aus und ziehen Sie den Stecker, bevor Sie Prüfungen oder Wartungsarbeiten am Werkzeug durchführen. (**Abb. 18**)

Halten Sie die Maschine und ihre Ventilationsöffnungen stets sauber.

Reinigen Sie die Ventilationsöffnungen der Maschine regelmäßig oder im Anfangsstadium einer Verstopfung. Um die SICHERHEIT und ZUVERLÄSSIGKEIT des Produkts zu gewährleisten, dürfen Reparaturen, Kohlebürsteninspektion und -ersatz sowie alle anderen Wartungsarbeiten und Einstellungen nur in von Makita autorisierten Servicecentern ausgeführt werden. Dabei sind ausschließlich Makita-Ersatzteile zu verwenden.

# ZUBEHÖR

## ACHTUNG:

- Für das in diesem Handbuch beschriebene Makita-Werkzeug werden die folgenden Zubehör- und Zusatzteile empfohlen. Die Verwendung anderer Zubehör- und Zusatzteile kann zu Personenschäden führen. Verwenden Sie Zubehör- und Zusatzteile nur für den vorgesehenen Zweck.

Informationen zu diesem Zubehör erhalten Sie bei einem Makita-Servicecenter in Ihrer Nähe.

- Schutzhaube (Schleifscheibenabdeckung)
- Innenflansch
- Gekröpfte Trennschleifscheiben
- Sicherungsmutter (für gekröpfte Trennschleifscheibe)
- Gummiteiler
- Schleifscheiben
- Sicherungsmutter (für Schleifscheibe)
- Sicherungsmutterschlüssel
- Topfdrabtbürste
- Kegeldrabtbürste 85
- Seitengriff
- Diamantscheibe
- Staubsammelhaube

## Für Modelle 9561CR, 9561CVR, 9562CR, 9562CVR

### Nur für europäische Länder

#### Geräuschpegel

ENG101-1

Typischer A-bewerteter Schallpegel nach EN60745-2-3:

Schalldruckpegel ( $L_{pA}$ ): 83 dB (A)

Abweichung (K): 3 dB (A)

Unter Arbeitsbedingungen kann der Schallpegel 85 dB (A) überschreiten.

#### Tragen Sie Gehörschutz.

#### Schwingung

ENG208-2

Schwingungsgesamtwerte (Vektorsumme dreier Achsen) nach EN60745-2-3:

Arbeitsmodus: Flächenschleifen

Schwingungsbelastung ( $a_{h,AG}$ ): 8,5 m/s<sup>2</sup>

Abweichung (K): 1,5 m/s<sup>2</sup>

Beim Trennschleifen und beim Drahtbürsten können andere Werte für die Schwingungsbelastung auftreten.

## Für Modelle 9564CR, 9564CVR

### Nur für europäische Länder

#### Geräuschpegel

ENG101-1

Typischer A-bewerteter Schallpegel nach EN60745-2-3:

Schalldruckpegel ( $L_{pA}$ ): 83 dB (A)

Abweichung (K): 3 dB (A)

Unter Arbeitsbedingungen kann der Schallpegel 85 dB (A) überschreiten.

#### Tragen Sie Gehörschutz.

#### Schwingung

ENG208-2

Schwingungsgesamtwerte (Vektorsumme dreier Achsen) nach EN60745-2-3:

Arbeitsmodus: Flächenschleifen

Schwingungsbelastung ( $a_{h,AG}$ ): 8,0 m/s<sup>2</sup>

Abweichung (K): 1,5 m/s<sup>2</sup>

Beim Trennschleifen und beim Drahtbürsten können andere Werte für die Schwingungsbelastung auftreten.

## Für Modelle 9565CR, 9565CVR

### Nur für europäische Länder

#### Geräuschpegel

ENG101-1

Typischer A-bewerteter Schallpegel nach EN60745-2-3:

Schalldruckpegel ( $L_{pA}$ ): 82 dB (A)

Abweichung (K): 3 dB (A)

Unter Arbeitsbedingungen kann der Schallpegel 85 dB (A) überschreiten.

#### Tragen Sie Gehörschutz.

#### Schwingung

ENG208-2

Schwingungsgesamtwerte (Vektorsumme dreier Achsen) nach EN60745-2-3:

Arbeitsmodus: Flächenschleifen

Schwingungsbelastung ( $a_{h,AG}$ ): 8,0 m/s<sup>2</sup>

Abweichung (K): 1,5 m/s<sup>2</sup>

Beim Trennschleifen und beim Drahtbürsten können andere Werte für die Schwingungsbelastung auftreten.

## EG-KONFORMITÄTSERKLÄRUNG

ENH001-8

### 9561CR, 9561CVR, 9562CR, 9562CVR, 9564CR, 9564CVR, 9565CR, 9565CVR

Wir erklären in alleiniger Verantwortung, dass sich dieses Produkt in Übereinstimmung mit den folgenden Normen der Normdokumente

EN50144, EN55014, EN61000 und den

Ratsverordnungen 2004/108/EC, 98/37/EC befindet.

**CE 2008**



Tomoyasu Kato  
Direktor

Verantwortlicher Hersteller:

#### Makita Corporation

3-11-8, Sumiyoshi-cho, Anjo, Aichi, JAPAN

Autorisierte Vertretung in Europa:

#### Makita International Europe Ltd.

Michigan Drive, Tongwell, Milton Keynes, Bucks MK15 8JD, ENGLAND



**Spiegazione della vista generale**

- |   |  |                              |
|---|--|------------------------------|
| 1. Blocco dell'albero                                   | 8. Vite                                      | 16. Lettera A                |
| 2. Interruttore scorrevole                              | 9. Leva                                      | 17. Lettera B                |
| 3. Spia luminosa (ghiera di regolazione della velocità) | 10. Controdado                               | 18. Lettera C                |
| 4. Spia luminosa  | 11. Disco con centro depresso/<br>multidisco | 19. Perno                    |
| 5. Ghiera di regolazione della velocità                 | 12. Flangia interna                          | 20. Apertura                 |
| 6. Protezione disco                                     | 13. Chiavi controdadi                        | 21. Apertura di ventilazione |
| 7. Alloggiamento del cuscinetto                         | 14. Disco diamantato                         | 22. Apertura di aspirazione  |
|   | 15. Mandrino                                 |                              |

**CARATTERISTICHE TECNICHE**

Diametro del disco con centro depresso Filettatura mandrino	115 mm M14	9561CR	9564CR	9561CVR	9564CVR
	125 mm M14	9562CR	9565CR	9562CVR	9565CVR
Velocità nominale (n)/Velocità a vuoto (n <sub>0</sub> )		11.000 (min <sup>-1</sup> )	11.000 (min <sup>-1</sup> )	2.800 - 11.000 (min <sup>-1</sup> )	2.800 - 11.000 (min <sup>-1</sup> )
Lunghezza totale		289 mm	299 mm	289 mm	299 mm
Peso netto		1,8 kg	1,8 kg	1,8 kg	1,8 kg
Classe di sicurezza		II/II			

- Le caratteristiche tecniche riportate di seguito sono soggette a modifiche senza preavviso in virtù del nostro programma continuo di ricerca e sviluppo.
- Nota: le caratteristiche tecniche possono differire da paese a paese.

**Simboli**

END202-4

Il seguente elenco riporta i simboli utilizzati per questo utensile. È importante comprenderne il significato prima di utilizzare l'utensile.



..... Leggere il manuale di istruzioni.



..... ISOLAMENTO DOPPIO



..... Indossare occhiali di protezione.

**Uso previsto**

ENE048-1

L'utensile va utilizzato per la smerigliatura, la carteggiatura e il taglio di metalli e pietre senza l'uso di acqua.

**Alimentazione**

ENF002-1

L'utensile deve essere collegato a una presa di corrente con la stessa tensione di quella indicata sulla targhetta e può funzionare soltanto con corrente alternata monofase. L'utensile è dotato di doppio isolamento in osservanza alle norme europee, pertanto può essere usato anche con prese di corrente sprovviste della messa a terra.

**REGOLE DI SICUREZZA SPECIFICHE**

GEB033-1

**NON lasciare che la familiarità acquisita con il prodotto (dovuta all'uso ripetuto) provochi l'inosservanza delle regole di sicurezza. Se questo**

**utensile viene utilizzato in modo improprio o errato, è possibile subire lesioni personali gravi.**

- Avvisi di sicurezza comuni per la smerigliatura, la carteggiatura, la spazzolatura metallica o le operazioni di taglio abrasivo:**
- Questo utensile va utilizzato come smerigliatrice, levigatrice, spazzola d'acciaio o strumento di taglio. Leggere tutti gli avvisi di sicurezza, le istruzioni, le illustrazioni e le caratteristiche tecniche fornite con questo utensile.** La mancata osservanza delle istruzioni riportate di seguito può provocare scosse elettriche, incendi e/o lesioni gravi.
- Non si consiglia di utilizzare questo utensile per eseguire operazioni quali la lucidatura.** Operazioni per le quali l'utensile non è stato progettato possono creare un rischio e lesioni personali.
- Non utilizzare accessori non progettati specificamente e consigliati dal produttore dell'utensile.** Il semplice fissaggio dell'accessorio al proprio utensile non garantisce un funzionamento sicuro.
- La velocità nominale dell'accessorio deve essere almeno equivalente alla velocità massima contrassegnata sull'utensile.** Gli accessori che funzionano più velocemente della velocità nominale possono rompersi in più pezzi.
- Il diametro esterno e lo spessore dell'accessorio devono corrispondere ai limiti di capienza dell'utensile.** Gli accessori con dimensioni errate non possono essere protetti o controllati adeguatamente.
- Le dimensioni del mandrino dei dischi, flange, cuscinetto di supporto o di qualunque altro accessorio devono corrispondere esattamente al**

- mandrino dell'utensile.** Gli accessori con i fori del mandrino che non corrispondono al supporto dell'utensile tenderanno a perdere l'equilibrio, vibrare eccessivamente e potrebbero causare la perdita di controllo.
8. **Non utilizzare un accessorio danneggiato. Prima di ogni utilizzo, controllare gli accessori quali i dischi abrasivi per verificare l'eventuale presenza di schegge e fessure, cuscinetti di supporto per crepe, strappi o usura in eccesso, utilizzare una spazzola metallica per fili allentati o con fessure. Se l'utensile o l'accessorio cadono, controllare l'eventuale presenza di danni o installare un accessorio intatto. Una volta controllato e installato l'accessorio, posizionarsi insieme agli astanti lontano dal piano dell'accessorio rotante e azionare l'utensile alla massima velocità a vuoto per un minuto.** Normalmente, gli accessori danneggiati si romperanno durante questo periodo di prova.
  9. **Indossare l'equipaggiamento di protezione individuale. A seconda dell'applicazione, utilizzare uno schermo facciale, occhiali protettivi o di sicurezza. Se necessario, indossare una maschera antipolvere, protezioni acustiche, guanti e un grembiule da officina in grado di fermare frammenti piccoli o abrasivi del pezzo in lavorazione.** La protezione degli occhi deve essere capace di arrestare i residui volanti generati dalle varie operazioni. La maschera antipolvere o il respiratore devono essere in grado di filtrare le particelle generate dalla propria attività. L'esposizione prolungata al rumore ad alta intensità può causare la perdita dell'udito.
  10. **Mantenere gli astanti ad una distanza di sicurezza dall'area di lavoro. Tutte le persone che entrano nella zona di lavoro devono indossare l'equipaggiamento di protezione individuale.** I frammenti di un pezzo o di un accessorio rotto possono volare via e provocare lesioni oltre l'area operativa immediata.
  11. **Se vengono eseguite operazioni in cui l'accessorio di taglio può toccare fili nascosti o il cavo di alimentazione dell'utensile, impugnare l'utensile utilizzando solo i punti di presa isolati.** Se l'accessorio da taglio entra a contatto con un filo percorso da corrente, le parti metalliche esposte dell'utensile si troveranno anch'esse sotto tensione provocando scosse elettriche all'operatore.
  12. **Posizionare il cavo lontano dall'accessorio rotante.** Se si perde il controllo, il cavo potrebbe essere tagliato o restare impigliato, mentre la mano o il braccio potrebbero essere spinti nell'accessorio rotante.
  13. **Non appoggiare mai l'utensile a terra se l'accessorio non è fermo completamente.** L'accessorio rotante può far presa sulla superficie e causare la perdita di controllo dell'utensile.
  14. **Non azionare l'utensile quando viene trasportato su un lato.** Il contatto accidentale con l'accessorio rotante può strappare i vestiti, tirando l'accessorio verso il corpo dell'operatore.
  15. **Pulire regolarmente le aperture di ventilazione dell'utensile.** La ventola del motore attirerà la polvere all'interno dell'alloggiamento e l'accumulo eccessivo di polvere metallica può causare pericoli elettrici.
  16. **Non utilizzare l'utensile vicino a materiali infiammabili.** Le scintille potrebbero bruciare questi materiali.
  17. **Non utilizzare accessori che richiedano refrigeranti liquidi.** L'utilizzo di acqua o di altri refrigeranti liquidi può provocare folgorazione o scosse elettriche.
  18. **Contraccolpi e avvisi correlati**  
 Un contraccolpo è una reazione improvvisa che si verifica quando un disco mobile, una spazzola, un cuscinetto di supporto o qualunque altro accessorio si incastra o urta contro qualcosa. L'incastramento o l'urto causano uno stallo veloce dell'accessorio rotante che a sua volta mette fuori controllo l'utensile forzandolo nella direzione opposta alla rotazione dell'accessorio e causandone il grippaggio.  
 Ad esempio, se un disco abrasivo si impiglia o urta contro un pezzo, il bordo del disco che entra nel punto di incastramento può scavare la superficie del materiale causando l'innalzamento o l'espulsione del disco. Il disco potrebbe saltare verso o lontano dall'operatore, a seconda della direzione del movimento del disco nel punto di incastramento. In queste circostanze i dischi abrasivi possono anche rompersi.  
 I contraccolpi sono determinati dall'uso improprio dell'utensile e/o da procedure o condizioni operative errate e possono essere evitati adottando le precauzioni specifiche illustrate di seguito.
    - a) **Stringere con forza l'utensile e posizionare il proprio corpo e il braccio per resistere alle forze del contraccolpo. Utilizzare sempre la maniglia ausiliaria, se inclusa, per un controllo massimo della reazione contro la coppia di torsione o i contraccolpi durante l'avvio.** L'operatore può controllare le reazioni della coppia di torsione o le forze del contraccolpo, se vengono adottate le precauzioni adeguate.
    - b) **Non posizionare mai le mani vicino all'accessorio rotante.** Gli accessori possono causare contraccolpi alla mano.
    - c) **Se si verificano contraccolpi, non posizionare il corpo nella zona in cui si sposterà l'utensile.** I contraccolpi spingeranno l'utensile in avanti nella direzione opposta al movimento del disco nel punto dell'urto.
    - d) **Prestare particolare attenzione durante il lavoro negli angoli, sui bordi aguzzi e così via. Evitare di fare rimbalzare o urtare l'accessorio.** Gli angoli, i bordi taglienti o i rimbalzi tendono a strappare l'accessorio rotante e causare la perdita di controllo o contraccolpi.
    - e) **Non collegare una lama da intaglio munita di una catena di taglio o una lama di taglio dentata.**

Queste lame creano frequentemente contraccolpi e la perdita di controllo.

**19. Avvisi di sicurezza specifici per le operazioni di smerigliatura e di taglio abrasivo:**

a) **Utilizzare soltanto i tipi di dischi consigliati per l'utensile e la protezione specifica progettata per il disco selezionato.** I dischi non progettati per l'utensile non possono essere protetti adeguatamente e sono pericolosi.

b) **La protezione deve essere fissata saldamente all'utensile e posizionata per la massima sicurezza, in modo che una parte minima del disco venga esposta verso l'operatore.** La protezione aiuta a proteggere l'operatore dai frammenti di disco rotti e dal contatto accidentale con il disco.

c) **I dischi devono essere utilizzati soltanto per le applicazioni suggerite. Ad esempio: non smerigliare con il lato del disco da taglio.** I dischi abrasivi da taglio devono essere utilizzati per la smerigliatura periferica, le forze laterali applicate a questi dischi possono causarne le frantumazioni.

d) **Utilizzare sempre flange del disco intatte con le dimensioni e la forma corrette per il disco selezionato.** Flange adeguate del disco supportano il disco e riducono quindi la possibilità della relativa rottura. Le flange dei dischi di taglio possono essere diverse dalle flange del disco di smerigliatura.

e) **Non utilizzare dischi consumati di utensili con dimensioni maggiori.** I dischi previsti per utensili più grandi non sono adatti per le velocità più elevate di un utensile più piccolo e possono frantumarsi.

**20. Ulteriori avvisi di sicurezza specifici alle operazioni di taglio abrasivo:**

a) **Non "bloccare" il disco di taglio né applicare una pressione eccessiva. Non cercare di eseguire una profondità di taglio eccessiva.** Il sovraccarico del disco aumenta il caricamento e la predisposizione all'avvitamento o al grippaggio del disco di taglio e la possibilità di contraccolpi o rotture del disco.

b) **Non posizionare il corpo in linea e dietro al disco mobile.** Se il disco, nel punto di mobilità, si sposta lontano dal corpo, gli eventuali contraccolpi possono spingere il disco mobile e l'utensile direttamente verso l'utente.

c) **Quando il disco sta grippando o interrompe un taglio per qualsiasi motivo, spegnere l'utensile e mantenere l'utensile fermo fino a quando il disco si arresta completamente. Durante il taglio, non cercare mai di rimuovere il disco di taglio durante lo spostamento del disco, altrimenti possono verificarsi contraccolpi.** Esaminare le condizioni operative e adottare le misure necessarie per eliminare le cause del grippaggio del disco.

d) **Non ricominciare l'operazione di taglio sul pezzo in lavorazione. Fare raggiungere al disco la piena velocità e reinserirsi con cautela nel taglio.** Se l'utensile viene riavviato sul pezzo in lavorazione, il disco può grippare, sollevarsi o sobbalzare.

e) **Supportare i pannelli o qualsiasi pezzo in lavorazione sovradimensionato per minimizzare il rischio di contraccolpi e incastramenti del disco. I**

pezzi in lavorazione di grandi dimensioni tendono a flettersi sotto il loro stesso peso. Collocare supporti al di sotto del pezzo in lavorazione su entrambi i lati, sia vicino alla linea di taglio che all'estremità del disco.

f) **Prestare particolare attenzione nel caso sia necessario eseguire "tagli con cavità" inserendo la lama in una parete esistente o in un'altra superficie chiusa.** Il disco sporgente può tagliare i tubi dell'acqua o del gas, i cavi elettrici o gli oggetti che possono causare il contraccolpo.

**21. Avvisi di sicurezza specifici per le operazioni di smerigliatura:**

a) **Non utilizzare una carta abrasiva eccessivamente sovradimensionata. Nel selezionare la carta abrasiva, seguire le raccomandazioni dei produttori.** Una carta abrasiva di dimensioni maggiori che si estende oltre il cuscinetto da smerigliatura presenta un rischio di lacerazione e può causare la sbavatura, l'usura del disco o contraccolpi.

**22. Avvisi di sicurezza specifici per le operazioni di spazzolatura metallica:**

a) **Notare che le setole di ferro cadono dalla spazzola persino durante le operazioni normali. Non sovraccaricare i fili applicando un carico eccessivo alla spazzola.** Le setole di ferro possono penetrare facilmente nei vestiti leggeri e/o nella pelle.

b) **Se per la spazzola metallica è consigliato l'utilizzo di una protezione, non fare interferire il disco a raggi o la spazzola con il dispositivo.** Il diametro del disco a raggi o della spazzola può espandersi a causa del carico di lavoro e delle forze centrifughe.

23. **Se vengono utilizzati dischi con un centro depresso, accertarsi che si tratti esclusivamente di dischi in fibra di vetro rinforzata.**

24. **Fare attenzione a non danneggiare il mandrino, la flangia (soprattutto la superficie di installazione) o il controdisco. Se queste parti vengono danneggiate, il disco potrebbe rompersi.**

25. **Verificare che il disco non tocchi il pezzo in lavorazione prima che si accenda l'interruttore.**

26. **Prima di usare l'utensile, lasciarlo funzionare a vuoto per qualche minuto. Prestare attenzione a vibrazioni e oscillazioni, che potrebbero indicare difetti di installazione o che il disco non è bilanciato correttamente.**

27. **Per la smerigliatura, usare la superficie specificata del disco.**

28. **Fare attenzione alle scintille. Tenere l'utensile in modo che le scintille non siano dirette verso l'operatore, altre persone o materiali infiammabili.**

29. **Non lasciare l'utensile acceso. Azionare l'utensile solo dopo averlo impugnato.**

30. **Non toccare il pezzo subito dopo il lavoro, poiché può raggiungere temperature elevate e provocare ustioni.**

31. **Prima di eseguire qualsiasi operazione sull'utensile, verificare sempre di averlo spento e scollegato e di aver rimosso la batteria.**

32. **Osservare le istruzioni del produttore per il corretto montaggio e utilizzo dei dischi. Maneggiare e conservare i dischi con cura.**
33. **Non utilizzare boccole di riduzione o adattatori separati per montare dischi abrasivi con foro largo.**
34. **Usare soltanto flange specifiche per questo utensile.**
35. **Se si usano utensili su cui montare dischi con foro filettato, accertarsi che la filettatura del disco sia sufficientemente lunga da accettare la lunghezza del mandrino.**
36. **Accertarsi che il pezzo sia fissato stabilmente nei supporti.**
37. **Fare attenzione alle scintille. Tenere l'utensile in modo che le scintille non siano dirette verso l'operatore, altre persone o materiali infiammabili.**
38. **Tenere presente che il disco continua a girare anche dopo aver spento l'utensile.**
39. **Se l'ambiente di lavoro è estremamente caldo o umido oppure contaminato da polvere conduttiva, usare un salvavita (30 mA) per garantire la sicurezza dell'operatore.**
40. **Non usare l'utensile su materiali che contengono amianto.**
41. **Non usare acqua o lubrificanti per la smerigliatura.**
42. **Accertarsi che le aperture di ventilazione siano aperte quando si lavora in ambienti polverosi. Per rimuovere l'eventuale polvere, staccare prima l'utensile dalla presa di corrente (non usare oggetti metallici) in modo da evitare di danneggiare le parti interne.**
43. **Quando si usano dischi diamantati, utilizzare sempre la protezione del disco per raccogliere la polvere, come previsto dalle normative in vigore nel paese.**
44. **I dischi da taglio non devono essere soggetti ad alcuna pressione laterale.**

#### **AVVERTENZA:**

**L'USO IMPROPRIO o la mancata osservanza delle norme di sicurezza contenute in questo manuale può provocare lesioni personali gravi.**

## **CONSERVARE QUESTE ISTRUZIONI.**

### **DESCRIZIONE FUNZIONALE**

#### **ATTENZIONE:**

- Prima di regolare o controllare le funzioni dell'utensile, verificare sempre di averlo spento e scollegato dall'alimentazione.

#### **Blocco dell'albero (Fig. 1)**

#### **ATTENZIONE:**

- Non usare il blocco dell'albero mentre il mandrino è in funzione. L'uso in tali condizioni può danneggiare l'utensile.

Premere il blocco dell'albero per evitare la rotazione del mandrino durante l'installazione o la rimozione degli accessori.

#### **Azionamento dell'interruttore (Fig. 2)**

#### **ATTENZIONE:**

- Prima di collegare l'utensile, controllare se l'interruttore scorrevole funziona correttamente e ritorna alla posizione "SPENTO" quando viene premuta la parte posteriore dell'interruttore.

Per avviare l'utensile, portare l'interruttore scorrevole in posizione "I (ACCESO)" position. In caso di uso continuato, premere la parte anteriore dell'interruttore scorrevole per bloccarne la posizione.

Per fermare l'utensile, premere la parte posteriore dell'interruttore scorrevole, quindi portarlo nella posizione "O (SPENTO)".

#### **Spia luminosa**

**Per i modelli 9561CVR, 9562CVR, 9564CVR, 9565CVR (Fig. 3)**

**Per i modelli 9561CVR, 9562CVR, 9564CVR, 9565CVR (Fig. 4)**

La spia luminosa diventa verde quando l'utensile è collegato alla presa di corrente. Se la spia non si accende, il cavo di alimentazione o il controller potrebbero essere difettosi. Se la spia si accende ma l'utensile non si avvia nonostante sia acceso, potrebbero essersi usurate le spazzole di carbone oppure il controller, il motore o l'interruttore potrebbero essere difettosi.

#### **Prova di riavvio involontario**

L'utensile non funziona con l'interruttore in posizione di blocco anche quando è collegato alla rete elettrica. In questo momento, la spia luminosa diventa rossa e mostra che il dispositivo a prova di riavvio involontario è in funzione.

Per annullare la prova di riavvio involontario, riportare l'interruttore scorrevole in posizione "O (OFF)", quindi rilasciarlo.

#### **Ghiera di regolazione della velocità**

**Per i modelli 9561CVR, 9562CVR, 9564CVR, 9565CVR (Fig. 5)**

È possibile modificare la velocità di rotazione girando la ghiera di regolazione della velocità su un valore compreso tra 1 e 5.

La velocità più alta si ottiene girando la ghiera nella direzione del numero 5; la velocità più bassa si ottiene girando la ghiera nella direzione del numero 1.

Per il rapporto tra l'impostazione del numero sulla ghiera e la velocità di rotazione approssimativa, fare riferimento alla tabella sotto.

Numero	min <sup>-1</sup> (R.P.M.)
1	2.800
2	4.000
3	6.500
4	9.000
5	11.000

#### ATTENZIONE:

- Se l'utensile viene utilizzato per molto tempo a basse velocità, in modo continuativo, il motore risulterà sovraccaricato e surriscaldato.
- La ghiera di regolazione della velocità può essere ruotata soltanto fino a 5 o indietro fino a 1. Non forzarla oltre 5 o 1: potrebbe non funzionare più correttamente.

Gli utensili dotati di funzione elettronica sono di facile utilizzo grazie alle seguenti caratteristiche.

- Controllo elettronico della velocità costante  
Consente finiture precise grazie alla costanza della velocità di rotazione anche in condizioni di carico.
- Funzione di avvio morbido  
L'avvio morbido permette di eliminare colpi e scosse iniziali.
- Protezione sovraccarico  
Inoltre, quando il carico dell'utensile supera i livelli consentiti, la potenza fornita al motore viene ridotta per evitare che il motore si surriscaldi. Quando il carico ritorna ai livelli consentiti, l'utensile riprende a funzionare normalmente.

## MONTAGGIO

#### ATTENZIONE:

- Accertarsi sempre che l'utensile sia spento e scollegato dall'alimentazione prima di svolgere qualsiasi operazione su di esso.

### Installazione dell'impugnatura laterale (Fig. 6)

#### ATTENZIONE:

- Accertarsi sempre che l'impugnatura laterale sia montata correttamente prima di fare funzionare l'utensile.

Avvitare saldamente l'impugnatura sul punto dell'utensile mostrato in figura.

### Installazione o rimozione della protezione disco

#### Per utensili con protezione disco tipo chiusura con vite (Fig.7)

#### ATTENZIONE:

- La protezione disco deve essere montata sull'utensile in modo che il lato chiuso della protezione sia sempre rivolto verso l'operatore.

Montare la protezione disco con la sporgenza della banda di protezione disco allineata con la tacca presente sull'alloggiamento del cuscinetto. Ruotare quindi la protezione disco di 180 gradi in senso antiorario. Serrare la vite fino in fondo.

Per rimuovere la protezione disco, attenersi alla procedura di installazione procedendo in senso inverso.

#### Per utensili con protezione disco tipo leva morsetto (Fig.8 e 9)

Tirare la leva in direzione della freccia, dopo aver allentato la vite. Montare la protezione disco con la sporgenza della banda di protezione disco allineata con la tacca presente sull'alloggiamento del cuscinetto. Ruotare quindi la protezione disco di 180°.

Fissarla con una vite dopo aver tirato la leva nella direzione indicata dalla freccia per iniziare a lavorare.

L'angolo di impostazione della protezione disco può essere regolato con la leva.

Per rimuovere la protezione disco, attenersi alla procedura di installazione procedendo in senso inverso.

### Installazione o rimozione del disco con centro depresso/multidisco (accessorio) (Fig. 10)

Montare la flangia interna sul mandrino. Montare il disco o la mola sulla flangia interna e avvitare il controdado sul mandrino.

Per serrare il controdado, premere saldamente il blocco dell'albero in modo da evitare la rotazione del mandrino, quindi utilizzare l'apposita chiave

per serrare il controdado girando in senso orario. (Fig. 11)

Per rimuovere il disco, attenersi alla procedura di installazione procedendo in senso inverso.

### Installazione o rimozione del disco diamantato (accessorio opzionale)

#### ATTENZIONE:

- Verificare che la freccia sull'utensile sia rivolta nella stessa direzione della freccia sul disco diamantato. (Fig. 12)

Montare la flangia interna sul mandrino. Montare il disco diamantato sulla flangia interna e avvitare il controdado sul mandrino. Il lato piatto del controdado deve essere rivolto verso il disco diamantato, se viene utilizzato questo accessorio.

### Installazione o rimozione dell'accessorio del coperchio antipolvere (accessorio opzionale)

#### AVVERTENZA:

- Prima di montare o smontare l'accessorio del coperchio antipolvere accertarsi sempre che l'utensile sia spento e scollegato. In caso contrario, si potrebbe danneggiare l'utensile o subire lesioni personali.

Esistono tre tipi di accessorio del coperchio antipolvere e ognuno è utilizzato in una delle diverse posizioni.

#### (Fig. 13 - 15)

Posizionare l'accessorio del coperchio antipolvere in modo tale che lo stesso, contrassegnato dalle lettere A, B o C, sia rivolto verso la testa dell'utensile. Spingere i perni dell'accessorio del coperchio antipolvere nell'apertura.

#### (Fig. 16)

L'accessorio del coperchio antipolvere può essere tolto manualmente.

**NOTA:**

- Pulire l'accessorio del coperchio antipolvere qualora sia ostruito da polvere o da corpi estranei. Il funzionamento continuato con un accessorio del coperchio antipolvere ostruito può danneggiare l'utensile.

## USO

**AVVERTENZA:**

- Non dovrebbe essere mai necessario forzare l'utensile. Il peso stesso dell'utensile esercita una pressione adeguata. Una forza o una pressione eccessiva possono provocare una rottura pericolosa del disco.
- Sostituire SEMPRE il disco se l'utensile è caduto durante la smerigliatura.
- Non sbattere MAI o fare urtare il disco o la mola contro il pezzo.
- Evitare di fare rimbalzare o urtare il disco, in particolare durante il lavoro negli angoli, sui bordi aguzzi e così via. Ciò potrebbe causare la perdita di controllo e contraccolpi.
- Non usare MAI l'utensile con lame per il taglio del legno o altre seghe. Se utilizzate con le smerigliatrici, tali lame danno frequentemente dei contraccolpi causando perdite di controllo con pericolo di lesioni.

**ATTENZIONE:**

- Dopo l'uso, spegnere sempre l'utensile e attendere che il disco si sia fermato prima di riporlo.

## Smerigliatura e carteggiatura

Tenere SEMPRE saldamente l'utensile con una mano sull'alloggiamento e l'altra sull'impugnatura laterale. Accendere l'utensile e applicare il disco o la mola sul pezzo.

In linea generale, tenere il bordo del disco o della mola a un angolo di circa 15 gradi rispetto alla superficie del pezzo.

Durante il periodo di rodaggio di un nuovo disco, non spostare la smerigliatrice nella direzione B, poiché taglierebbe il pezzo. Una volta che il bordo del disco è stato arrotondato dall'uso, il disco può essere spostato in entrambe le direzioni A e B. (Fig. 17)

## Uso con il disco diamantato (accessorio)

**AVVERTENZA:**

- Se si esercita una pressione eccessiva o si consente che il disco venga piegato, pizzicato o sottoposto a torsione durante il taglio, il motore potrebbe surriscaldarsi e l'utensile potrebbe subire un pericoloso contraccolpo.

**ATTENZIONE:**

- Dopo l'operazione di taglio, attendere il completo arresto della rotazione del disco diamantato, quindi riporre l'utensile. È pericoloso riporre l'utensile prima del relativo spegnimento. La polvere o la sporcizia eventualmente presenti nelle vicinanze potrebbero essere aspirate dall'utensile.

Verificare che il disco non sia in contatto con il pezzo in lavorazione.

Accendere l'utensile e tenerlo saldamente, quindi attendere che il disco raggiunga la velocità massima. Far avanzare l'utensile sulla superficie del pezzo in lavorazione, procedendo in piano e con regolarità fino al completamento del taglio.

## MANUTENZIONE

**ATTENZIONE:**

- Prima di effettuare controlli e operazioni di manutenzione, verificare sempre che l'utensile sia spento e scollegato dall'alimentazione. (Fig. 18)

L'utensile e le aperture di ventilazione devono essere mantenuti puliti.

Pulire regolarmente le aperture di ventilazione dell'utensile o quando iniziano a essere ostruite.

Per mantenere la SICUREZZA e l'AFFIDABILITÀ del prodotto, le riparazioni, il controllo della spazzola di carbone, le sostituzioni e qualsiasi altra operazione di manutenzione o regolazione devono essere eseguite da un centro di assistenza Makita autorizzato usando sempre ricambi Makita.

## ACCESSORI

**ATTENZIONE:**

- Si raccomanda di usare questi accessori per l'utensile Makita descritto in questo manuale. L'uso di qualsiasi altro accessorio potrebbe provocare lesioni personali. Utilizzare gli accessori esclusivamente per l'uso dichiarato.

Per l'assistenza e ulteriori informazioni su tali accessori, rivolgersi al centro di assistenza Makita più vicino.

- Protezione disco (coperchio disco)
- Flangia interna
- Dischi con centro depresso
- Controdado (per disco con centro depresso)
- Gommino
- Dischi abrasivi
- Controdado (per dischi abrasivi)
- Chiave controdado
- Spazzola di ferro
- Spazzola di ferro 85
- Impugnatura laterale
- Disco diamantato
- Protezione disco per raccolta polvere

**Per i modelli 9561CR, 9561CVR, 9562CR, 9562CVR**  
**Solo per i paesi europei**

**Rumorosità** ENG101-1

Il tipico livello di rumore ponderato "A" è determinato in conformità con la norma EN60745-2-3:

Livello di pressione sonora ( $L_{pA}$ ): 83 dB (A)

Variazione (K): 3 dB (A)

Il livello acustico in funzionamento può superare 85 dB (A).

**Indossare una protezione acustica.**

**Vibrazione** ENG208-2

Il valore totale della vibrazione (somma vettoriale triassiale) è determinato in conformità con la norma EN60745-2-3:

Modalità di lavoro: smerigliatura superficie

Emissione vibrazioni ( $a_{h,AG}$ ): 8,5 m/s<sup>2</sup>

Variazione (K): 1,5 m/s<sup>2</sup>

Operazioni quali il taglio o la spazzolatura metallica potrebbero avere valori di emissione delle vibrazioni diversi.

**Per i modelli 9564CR, 9564CVR**

**Solo per i paesi europei**

**Rumorosità** ENG101-1

Il tipico livello di rumore ponderato "A" è determinato in conformità con la norma EN60745-2-3:

Livello di pressione sonora ( $L_{pA}$ ): 83 dB (A)

Variazione (K): 3 dB (A)

Il livello acustico in funzionamento può superare 85 dB (A).

**Indossare una protezione acustica.**

**Vibrazione** ENG208-2

Il valore totale della vibrazione (somma vettoriale triassiale) è determinato in conformità con la norma EN60745-2-3:

Modalità di lavoro: smerigliatura superficie

Emissione vibrazioni ( $a_{h,AG}$ ): 8,0 m/s<sup>2</sup>

Variazione (K): 1,5 m/s<sup>2</sup>

Operazioni quali il taglio o la spazzolatura metallica potrebbero avere valori di emissione delle vibrazioni diversi.

**Per i modelli 9565CR, 9565CVR**

**Solo per i paesi europei**

**Rumorosità** ENG101-1

Il tipico livello di rumore ponderato "A" è determinato in conformità con la norma EN60745-2-3:

Livello di pressione sonora ( $L_{pA}$ ): 82 dB (A)

Variazione (K): 3 dB (A)

Il livello acustico in funzionamento può superare 85 dB (A).

**Indossare una protezione acustica.**

**Vibrazione** ENG208-2

Il valore totale della vibrazione (somma vettoriale triassiale) è determinato in conformità con la norma EN60745-2-3:

Modalità di lavoro: smerigliatura superficie

Emissione vibrazioni ( $a_{h,AG}$ ): 8,0 m/s<sup>2</sup>

Variazione (K): 1,5 m/s<sup>2</sup>

Operazioni quali il taglio o la spazzolatura metallica potrebbero avere valori di emissione delle vibrazioni diversi.

**DICHIARAZIONE DI CONFORMITÀ CE** ENH001-8

**9561CR, 9561CVR, 9562CR, 9562CVR, 9564CR, 9564CVR, 9565CR, 9565CVR**

Dichiariamo sotto nostra esclusiva responsabilità che il presente prodotto è conforme alle seguenti norme o documenti normativi:

EN50144, EN55014, EN61000 secondo le disposizioni delle direttive del Consiglio, 2004/108/CE, 98/37/CE.

**CE 2008**



Tomoyasu Kato  
Direttore

Produttore responsabile:

**Makita Corporation**

3-11-8, Sumiyoshi-cho, Anjo, Aichi, GIAPPONE

Rappresentanti autorizzati in Europa:

**Makita International Europe Ltd.**

Michigan Drive, Tongwell, Milton Keynes, Bucks MK15 8JD, INGHILTERRA

## NEDERLANDS

### Verklaring van algemene gegevens

1. Asvergrendeling	8. Schroef	15. As
2. Schuifknop	9. Hendel	16. Markering A
3. Bedrijfslampje (snelheidsregelaar)	10. Borgmoer	17. Markering B
4. Bedrijfslampje	11. Slijpschijf/multischijf met verzonken middengat	18. Markering C
5. Snelheidsregelaar	12. Binnenflens	19. Pen
6. Beschermpak	13. Borgmoersleutel	20. Ventilatieopening
7. Lagerhuis	14. Diamantschijf	21. Luchtuitlaatopening
		22. Luchtinlaatopening

## TECHNISCHE GEGEVENS

Diameter van schijf met een verzonken middengat Asschroefdraad	115 mm M14	9561CR	9564CR	9561CVR	9564CVR
	125 mm M14	9562CR	9565CR	9562CVR	9565CVR
Nominaal toerental (n)/ Nullasttoerental (n <sub>0</sub> )	11.000 (min <sup>-1</sup> )	11.000 (min <sup>-1</sup> )	2.800 - 11.000 (min <sup>-1</sup> )	2.800 - 11.000 (min <sup>-1</sup> )	2.800 - 11.000 (min <sup>-1</sup> )
Totale lengte	289 mm	299 mm	289 mm	299 mm	299 mm
Netto gewicht	1,8 kg	1,8 kg	1,8 kg	1,8 kg	1,8 kg
Veiligheidsklasse	II/II				

- Als gevolg van ons doorlopende onderzoeks- en ontwikkelingsprogramma, zijn de technische gegevens van dit gereedschap onderhevig aan veranderingen zonder voorafgaande kennisgeving.
- Opmerking: De technische gegevens kunnen van land tot land verschillen.

### Symbolen

END202-4

Hieronder staan de symbolen die voor dit gereedschap worden gebruikt. Zorg ervoor dat u weet wat ze betekenen alvorens het gereedschap te gebruiken.



..... Lees de gebruiksaanwijzing.



..... DUBBEL GEÏSOLEERD



..... Draag een veiligheidsbril.

### Gebruiksdoeleinden

ENE048-1

Het gereedschap is bedoeld voor het slijpen, schuren en doorslijpen van metaal en steen zonder gebruik van water.

### Voeding

ENF002-1

Het gereedschap mag uitsluitend worden aangesloten op een voeding met dezelfde spanning als aangegeven op het identificatieplaatje en werkt alleen op enkele-fase wisselstroom. Het gereedschap is dubbel geïsoleerd volgens de Europese norm en mag derhalve ook op een niet-geaard stopcontact worden aangesloten.

## SPECIFIEKE VEILIGHEIDSVORSCHRIFTEN

GEB033-1

Laat u NIET misleiden door een vals gevoel van comfort en bekendheid met het gereedschap (na veelvuldig gebruik) en neem alle veiligheidsvoorschriften van de slijper altijd strikt in

**acht. Bij onveilig of verkeerd gebruik van het gereedschap, bestaat de kans op ernstig persoonlijk letsel.**

1. **Gemeenschappelijke veiligheidswaarschuwingen voor slijp-, schuur-, draadborstel- en doorslijpwerkzaamheden:**
2. **Dit elektrisch gereedschap is bedoeld voor gebruik als slijp-, schuur-, draadborstel- of doorslijpgereedschap. Lees alle veiligheidswaarschuwingen, instructies, afbeeldingen en technische gegevens die bij dit elektrisch gereedschap worden geleverd.** Als u nalaat alle onderstaande instructies te volgen, kan dit leiden tot een elektrische schok, brand en/of ernstig letsel.
3. **Werkzaamheden zoals polijsten worden niet aangeraden met dit elektrisch gereedschap.** Werkzaamheden waarvoor dit elektrisch gereedschap niet is bedoeld kunnen gevaarlijke situaties opleveren en tot persoonlijk letsel leiden.
4. **Gebruik geen accessoires die niet specifiek zijn ontworpen en aanbevolen door de fabrikant van het gereedschap.** Ook wanneer het accessoire kan worden bevestigd op uw elektrisch gereedschap, is een veilige werking niet gegarandeerd.
5. **Het nominaal toerental van het accessoire moet minstens gelijk zijn aan het maximumtoerental vermeld op het elektrisch gereedschap.** Accessoires die met een hoger toerental draaien dan hun nominaal toerental kunnen stuk breken en in het rond vliegen.
6. **De buitendiameter en de dikte van het accessoire moet binnen het capaciteitsbereik van het**



- elektrisch gereedschap vallen.** Accessoires met verkeerde afmetingen kunnen niet afdoende worden afgeschermd of beheerst.
7. **De asdiameter van schijven, flenzen, rugschijven en andere accessoires moeten goed passen rond de as van het elektrisch gereedschap.** Accessoires met een asdiameter die niet overeenkomt met de standaardhardware voor het elektrisch gereedschap zullen niet in balans draaien, buitensporig trillen en kunnen tot verlies van controle over het gereedschap leiden.
  8. **Gebruik nooit een beschadigd accessoire. Inspecteer het accessoire vóór ieder gebruik, bijvoorbeeld een slijpschijf op ontbrekende schijffers en barsten; een rugschijf op barsten, scheuren of buitensporige slijtage; en een draadborstel op losse of gebarsten draden. Nadat het elektrisch gereedschap is gevallen, inspecteert u het op schade of monteert u een onbeschadigd accessoire. Na inspectie en montage van een accessoire, zorgt u ervoor dat u en omstanders niet in het rotatie vlak van het accessoire staan, en laat u het elektrisch gereedschap draaien op het maximaal, onbelast toerental gedurende één minuut.** Beschadigde accessoire breken normaal gesproken in stukken gedurende deze testduur.
  9. **Gebruik persoonlijke veiligheidsmiddelen. Afhankelijk van de toepassing gebruikt u een gelaatsscherm, een beschermende bril of een veiligheidsbril. Al naar gelang van toepassing draagt u een stofmasker, gehoorbeschermers, handschoenen en een werkschort die in staat zijn kleine stukjes slijpsel of werkstukfragmenten te weerstaan.** De oogbescherming moet in staat zijn rondvliegend afval te stoppen dat ontstaat bij de diverse werkzaamheden. Het stofmasker of ademhalingsapparaat moet in staat zijn deeltjes te filteren die ontstaat bij de werkzaamheden. Langdurige blootstelling aan zeer intens geluid kan leiden tot gehoorbeschadiging.
  10. **Houd omstanders op veilige afstand van het werkgebied. Iedereen die zich binnen het werkgebied begeeft, moet persoonlijke veiligheidsmiddelen gebruiken.** Fragmenten van het werkstuk of van een uiteengevallen accessoire kunnen rondvliegen en letsel veroorzaken buiten de onmiddellijke werkomgeving.
  11. **Houd elektrisch gereedschap uitsluitend vast aan het geïsoleerde oppervlak van de handgrepen wanneer u werkt op plaatsen waar het slijpaccessoire met verborgen bedrading of zijn eigen snoer in aanraking kan komen.** Wanneer het slijpaccessoire in aanraking komt met onder spanning staande draden, zullen ook de niet-geïsoleerde metalen delen van het elektrisch gereedschap onder spanning komen te staan zodat de gebruiker een elektrische schok kan krijgen.
  12. **Houd het snoer goed uit de buurt van het ronddraaiende accessoire.** Als u de controle verliest over het gereedschap, kan het snoer worden doorgesneden of bekneld raken, en kan uw hand of arm tegen het ronddraaiende accessoire worden aangetrokken.
  13. **Leg het elektrisch gereedschap nooit neer voordat het accessoire volledig tot stilstand is gekomen.** Het ronddraaiende accessoire kan de ondergrond pakken zodat u de controle over het elektrisch gereedschap verliest.
  14. **Laat het elektrisch gereedschap niet draaien terwijl u het naast u draagt.** Als het ronddraaiende accessoire u per ongeluk raakt, kan het verstrikt raken in uw kleding waardoor het accessoire in uw lichaam wordt getrokken.
  15. **Maak de ventilatieopeningen van het gereedschap regelmatig schoon.** De ventilator van de motor zal het stof de behuizing in trekken, en een grote opeenhoping van metaalslijpsel kan leiden tot elektrische gevaarlijke situaties.
  16. **Gebruik het elektrisch gereedschap niet in de buurt van brandbare materialen.** Vonken kunnen deze materialen doen ontvlammen.
  17. **Gebruik geen accessoires die met vloeistof moeten worden gekoeld.** Het gebruik van water of andere vloeibare koelmiddelen kan leiden tot elektrocutie of elektrische schokken.
  18. **Terugslag en aanverwante waarschuwingen**  
Terugslag is een plotselinge reactie op een bekneld of vastgelopen draaiende schijf, rugschijf, borstel of enig ander accessoire. Beknellen of vastlopen veroorzaakt een snelle stilstand van het draaiende accessoire wat op zijn beurt ertoe leidt dat het elektrisch gereedschap zich ongecontroleerd beweegt in de tegenovergestelde richting van de draairichting van het accessoire op het moment van vastlopen. Bijvoorbeeld, als een slijpschijf bekneld raakt of vastloopt in het werkstuk, kan de rand van de schijf die het beknellingspunt ingaat, zich invreten in het oppervlak van het materiaal waardoor de schijf eruit klimt of eruit slaat. De schijf kan daarbij naar de gebruiker toe of weg springen, afhankelijk van de draairichting van de schijf op het beknellingspunt. Slijpschijven kunnen in dergelijke situaties ook breken.  
Terugslag is het gevolg van misbruik van het elektrisch gereedschap en/of onjuiste gebruiksprocedures of -omstandigheden, en kan worden voorkomen door goede voorzorgsmaatregelen te treffen, zoals hieronder vermeld:
    - a) **Houd het gereedschap stevig vast en houdt uw armen en lichaam zodanig dat u in staat bent een terugslag op te vangen. Gebruik altijd de extra handgreep (indien aanwezig) voor een maximale controle over het gereedschap in geval van terugslag en koppelreactie bij het starten.** De gebruiker kan een terugslag of de koppelreactie opvangen indien de juiste voorzorgsmaatregelen worden getroffen.
    - b) **Plaats uw hand nooit in de buurt van het draaiende accessoire.** Het accessoire kan terugslaan over uw hand.

- c) **Plaats uw lichaam niet in het gebied waar het elektrisch gereedschap naar toe gaat wanneer een terugslag optreedt.** Een terugslag zal het gereedschap bewegen in de tegenovergestelde richting van de draairichting van de schijf op het moment van beknellen.
- d) **Wees bijzonder voorzichtig bij het werken met hoeken, scherpe randen, enz. Voorkom dat het accessoire springt of bekneld raakt.** Hoeken, scherpe randen of springen veroorzaken vaak beknellen van het draaiende accessoire wat leidt tot terugslag of verlies van controle over het gereedschap.
- e) **Bevestig geen houtbewerkingsblad van een zaagketting of getand zaagblad.** Dergelijke bladen leiden vaak tot terugslag of verlies van controle over het gereedschap.
19. **Veiligheidswaarschuwingen specifiek voor slijpen doorslijpwerkzaamheden:**
- a) **Gebruik uitsluitend schijven van het type aanbevolen voor uw elektrisch gereedschap en de specifieke beschermkap voor de te gebruiken schijf.** Schijven waarvoor het elektrisch gereedschap niet is ontworpen, kunnen niet goed worden afgeschermd en zijn niet veilig.
- b) **De beschermkap moet stevig worden vastgezet aan het elektrisch gereedschap en in de maximaal beschermende stand worden gezet zodat het kleinst mogelijke deel van de schijf is blootgesteld in de richting van de gebruiker.** De beschermkap helpt de gebruiker te beschermen tegen afgebroken stukjes van de schijf en het per ongeluk aanraken van de schijf.
- c) **De schijven mogen uitsluitend worden gebruikt voor de aanbevolen toepassingen. Bijvoorbeeld: u mag niet slijpen met de zijkant van een doorslijpschijf.** Doorslijpschijven zijn bedoeld voor slijpen met de rand. Krachten op het zijoppervlak kunnen deze schijven doen breken.
- d) **Gebruik altijd onbeschadigde schijfflens van de juiste afmetingen en vorm voor de te gebruiken schijf.** Een goede schijfflens ondersteunt de schijf en verkleint daarmee de kans op het breken van de schijf. Flenzen voor doorslijpschijven kunnen verschillen van flenzen voor slijpschijven.
- e) **Gebruik geen afgesleten schijven van grotere elektrische gereedschappen.** Schijven die zijn bedoeld voor grotere elektrische gereedschappen zijn niet geschikt voor de hogere snelheid van een kleiner elektrisch gereedschap en kunnen in stukken breken.
20. **Aanvullende veiligheidswaarschuwingen specifiek voor doorslijpwerkzaamheden:**
- a) **Laat de doorslijpschijf niet vastlopen en oefen geen buitensporige druk uit. Probeer niet een buitensporig diepe snede te slijpen.** Een te grote kracht op de schijf verhoogt de belasting en de kans dat de schijf in de snede verdraait of vastloopt, waardoor terugslag kan optreden of de schijf kan breken.
- b) **Plaats uw lichaam niet in één lijn achter de ronddraaiende schijf.** Wanneer de schijf, op het aangrijppunt in het werkstuk, zich van uw lichaam af beweegt, kunnen door de mogelijke terugslag de ronddraaiende schijf en het elektrisch gereedschap in uw richting worden geworpen.
- c) **Wanneer de schijf vastloopt of u het slijpen onderbreekt, schakelt u het elektrisch gereedschap uit en houdt u dit stil totdat de schijf volledig tot stilstand is gekomen. Probeer nooit de doorslijpschijf uit de snede te halen terwijl de schijf nog draait omdat hierdoor een terugslag kan optreden.** Onderzoek waarom de schijf is vastgelopen en tref afdoende maatregelen om de oorzaak ervan op te heffen.
- d) **Begin niet met doorslijpen terwijl de schijf al in het werkstuk steekt. Wacht totdat de schijf de volle snelheid heeft bereikt en breng daarna de schijf voorzichtig terug in de snede.** Wanneer het elektrisch gereedschap opnieuw wordt gestart terwijl de schijf al in het werkstuk steekt, kan de schijf vastlopen, omhoog lopen of terugslaan.
- e) **Ondersteun platen en grote werkstukken om de kans op het beknellen van de schijf en terugslag te minimaliseren.** Grote werkstukken neigen door te zakken onder hun eigen gewicht. U moet het werkstuk ondersteunen vlakbij de snijlijn en vlakbij de rand van het werkstuk aan beide kanten van de schijf.
- f) **Wees extra voorzichtig bij blind slijpen in bestaande wanden of op andere plaatsen.** De uitstekende schijf kan gas- of waterleidingen, elektrische bedrading of voorwerpen die terugslag veroorzaken raken.
21. **Veiligheidswaarschuwingen specifiek voor schuurwerkzaamheden:**
- a) **Gebruik geen veel te grote schuurpapierschijven. Volg de aanwijzingen van de fabrikant bij uw keuze van het schuurpapier.** Te groot schuurpapier dat uitsteekt tot voorbij de rand van het schuurkussen levert snijgevaar op en kan beknellen of scheuren van de schuurpapierschijf of terugslag veroorzaken.
22. **Veiligheidswaarschuwingen specifiek voor draadborstelwerkzaamheden:**
- a) **Wees erop bedacht dat ook tijdens normaal gebruik borsteldraden door de borstel worden rondgeslingerd. Oefen niet te veel kracht uit op de borsteldraden door een te hoge belasting van de borstel.** De borsteldraden kunnen met gemak door dunne kleding en/of de huid dringen.
- b) **Als het gebruik van een beschermkap wordt aanbevolen voor draadborsten, zorgt u ervoor dat de draadschijf of draadborstel niet in aanraking komt met de beschermkap.** De draadschijf of draadborstel kan in diameter toenemen als gevolg van de werkbelasting en centrifugale krachten.
23. **Bij gebruik van een slijpschijf met een verzonken middengat, mag u uitsluitend met glasvezel versterkte schijven gebruiken.**
24. **Let erop dat u de as, de flens (met name de montagekant) en de borgmoer niet beschadigt.**

- Als deze onderdelen beschadigd raken, kan de schijf breken.
25. Zorg ervoor dat de schijf niet in aanraking is met het werkstuk voordat u het gereedschap hebt ingeschakeld.
  26. Laat het gereedschap een tijdje draaien voordat u het werkstuk gaat zagen. Controleer op trillingen of schommelingen die op onjuiste montage of een slecht uitgebalanceerde schijf kunnen wijzen.
  27. Gebruik de aangegeven kant van de schijf om mee te slijpen.
  28. Wees alert op rondvliegende vonken. Houd het gereedschap zodanig vast dat de vonken wegvliegen van u en andere personen of brandbare materialen.
  29. Laat het gereedschap niet ingeschakeld liggen. Bedien het gereedschap alleen wanneer u het vasthoudt.
  30. Raak de schijf niet onmiddellijk na gebruik aan. Deze kan bijzonder heet zijn en brandwonden op uw huid veroorzaken.
  31. Controleer altijd of het gereedschap is uitgeschakeld en de stekker uit het stopcontact is getrokken of de accu is verwijderd alvorens enige werkzaamheden aan het gereedschap te verrichten.
  32. Houd u aan de instructies van de fabrikant voor juiste montage en gebruik van de schijven. Behandel en bewaar de schijven zorgvuldig.
  33. Gebruik geen afzonderlijke verkleinbussen of adapterringen om slijpschijven met een groot middengat te kunnen monteren.
  34. Gebruik uitsluitend flenzen die geschikt zijn voor dit gereedschap.
  35. Voor gereedschappen waarop schijven met schroefdraad in het middengat kunnen worden gemonteerd, controleert u dat de schroefdraad van de schijf lang genoeg is voor de lengte van de as.
  36. Controleer of het werkstuk goed wordt ondersteund.
  37. Wees alert op rondvliegende vonken. Houd het gereedschap zodanig vast dat de vonken wegvliegen van u en andere personen of brandbare materialen.
  38. Wees erop bedacht dat de schijf blijft doordraaien nadat het gereedschap is uitgeschakeld.
  39. Als de werkruimte bijzonder heet en vochtig is, of sterk vervuild is met geleidend stof, gebruik dan een kortsluitonderbreker (30 mA) om de veiligheid van de gebruiker te garanderen.
  40. Gebruik het gereedschap niet op materiaal dat asbest bevat.
  41. Gebruik geen water of slijpsmeermiddel.
  42. Zorg ervoor dat de ventilatie-openingen niet verstopt raken bij gebruik in een stoffige omgeving. Als het noodzakelijk is het stof te verwijderen, moet u het gereedschap eerst loskoppelen van de netvoeding (gebruik hiervoor niet-metalen voorwerpen) en wees voorzichtig geen inwendige onderdelen te beschadigen.

43. Bij gebruik van een doorslijpschijf, gebruikt u altijd de stofbeschermkap, zoals vereist door plaatselijke regelgeving.
44. Doorslijpschijven mogen niet worden blootgesteld aan enige laterale druk.

#### **WAARSchuwING:**

**VERKEERD GEBRUIK** of het niet volgen van de veiligheidsinstructies in deze gebruiksaanwijzing kan leiden tot ernstig persoonlijk letsel.

## **BEWAAR DEZE INSTRUCTIES**

### **BESCHRIJVING VAN DE FUNCTIES**

#### **LET OP:**

- Controleer altijd of het gereedschap is uitgeschakeld en de stekker uit het stopcontact is getrokken alvorens de functies van het gereedschap te controleren of af te stellen.

#### **Asvergrendeling (zie afb. 1)**

#### **LET OP:**

- Bedien de asvergrendeling nooit terwijl de as nog draait. Het gereedschap kan hierdoor worden beschadigd.

Druk op de asvergrendeling om te voorkomen dat de as kan draaien tijdens het monteren of verwijderen van schijven of accessoires.

#### **In- en uitschakelen (zie afb. 2)**

#### **LET OP:**

- Controleer altijd, voordat u het gereedschap aansluit op het elektriciteitsnet, of de schuifknop op de juiste manier schakelt en weer terugkeert naar de uit-stand, wanneer achter op de schuifknop wordt gedrukt. Start het gereedschap door de schuifknop naar de positie "I" (aan) te schuiven. Voor doorlopend slijpen, drukt u op het voorste gedeelte van de schuifknop om hem te vergrendelen.

Om het gereedschap te stoppen, drukt u op het achterste gedeelte van de schuifknop en schuift u deze naar de positie "O" (uit).

#### **Bedrijfslampje**

Voor de modellen **9561CVR, 9562CVR, 9564CVR, 9565CVR** (zie afb. 3)

Voor de modellen **9561CR, 9562CR, 9564CR, 9565CR** (zie afb. 4)

Het bedrijfslampje gaat branden zodra de stekker van het gereedschap in een stopcontact wordt gestoken. Als het lampje niet brandt, kan het netsnoer beschadigd zijn of de sturing defect. Als het lampje brandt, maar het gereedschap niet start, zelfs niet wanneer de schuifknop in de aan-stand wordt gezet, kunnen de koolborstels versleten zijn, of kunnen de motor, de sturing, of de schuifknop defect zijn.

## Onbedoelde herstartpreventie

Het gereedschap start niet met de schuifknop op aan, ook niet als de stekker in het stopcontact wordt gestoken.

Op dit moment knippert het bedrijfslampje rood ten teken dat de onbedoelde herstartpreventie werkt.

Hef de onbedoelde herstartpreventie op door de schuifknop naar de positie "O" (uit) terug te schuiven en dan los te laten.

## Snelheidsregelaar

Voor 9561CVR, 9562CVR, 9564CVR, 9565CVR (zie afb. 5)

U kunt de draaisnelheid veranderen door de snelheidsregelaar te draaien en in te stellen op een cijfer van 1 tot 5.

De snelheid verhoogt wanneer u de draaiknop in de richting van het cijfer 5 draait. De snelheid verlaagt wanneer u deze in de richting van het cijfer 1 draait.

Raadpleeg onderstaande tabel voor het aantal slagen per minuut in iedere stand van de draaiknop.

Cijfer	min <sup>-1</sup> (RPM)
1	2.800
2	4.000
3	6.500
4	9.000
5	11.000

### LET OP:

- Indien het gereedschap lange tijd achtereen met een laag toerental wordt gebruikt, raakt de motor overbelast en oververhit.
- U kunt de snelheidsregelaar alleen tot aan het cijfer 5 draaien en terug naar 1. Forceer de schijf niet voorbij de 5 of de 1 omdat de snelheidsregeling daardoor onklaar raakt.

Gereedschappen met elektronische aansturing zijn dankzij de volgende eigenschappen gemakkelijk te bedienen.

- Elektronische constante snelheidsregeling  
Maakt een onberispelijke afwerking mogelijk omdat de draaisnelheid zelfs onder belasting constant blijft.
- Zachte-startfunctie  
Maakt een zachte start mogelijk door onderdrukking van de aanloopshock.
- Overbelastingsbeveiliging  
Wanneer de toelaatbare belasting van het gereedschap wordt overschreden, gaat er minder vermogen naar de motor om deze tegen oververhitting te beschermen. Wanneer de belasting weer op een toelaatbaar niveau komt, zal het gereedschap weer normaal werken.

## ONDERDELEN AANBRENGEN/ VERWIJDEREN

### LET OP:

- Controleer altijd of het gereedschap is uitgeschakeld en de stekker uit het stopcontact is getrokken alvorens enige werk aan het gereedschap uit te voeren.

## De zijhandgreep monteren (handvat) (zie afb. 6)

### LET OP:

- Controleer altijd voor gebruik dat de zijhandgreep stevig vastzit.

Draai de zijhandgreep vast op het gereedschap in een van de standen aangegeven in de afbeelding.

## Een beschermkap aanbrengen en verwijderen

Voor gereedschap met beschermkap type borgschroef (zie afb. 7)

### LET OP:

- De beschermkap moet zodanig op het gereedschap worden gemonteerd dat de gesloten zijde van de kap altijd naar de gebruiker is gekeerd.
- Monteer de beschermkap met het uitsteeksel op de beschermkaprand uitgelijnd met de inkeping in het lagerhuis. Draai tenslotte de schroef stevig vast. Om de beschermkap te verwijderen, volgt u de procedure in omgekeerde volgorde.

Voor gereedschap met beschermkap type klemhendel (zie afb. 8)

Maak de schroef los en trek de hendel in de richting van de pijl. Monteer de beschermkap met het uitsteeksel op de beschermkaprand uitgelijnd met de inkeping in het lagerhuis. Draai vervolgens de beschermkap rond de 180°.

Trek de hendel in de richting van de pijl en zet de beschermkap met de schroef vast om ermee te kunnen werken. U kunt de instelhoek van de beschermkap aanpassen met de hendel.

Om de beschermkap te verwijderen, volgt u de procedure in omgekeerde volgorde.

## Een slijpschijf/multischijf met een verzonken middengat (accessoire) aanbrengen of verwijderen (zie afb. 10)

Breng de binnenflens aan op de as. Monteer de schijf op de binnenflens en schroef de borgmoer op de as.

Om de borgmoer vast te draaien, drukt u de asvergrendeling stevig in zodat de as niet kan draaien, en gebruikt u vervolgens de borgmoersleutel om de borgmoer stevig rechtsom vast te draaien. (zie afb. 11)

Om de schijf te verwijderen, volgt u de procedure in omgekeerde volgorde.

## Een diamantschijf (optioneel accessoire) aanbrengen of verwijderen

### LET OP:

- Zorg dat de pijl op het gereedschap in dezelfde richting wijst als de pijl op de diamantschijf. (Zie afb. 12)
- Breng de binnenflens aan op de as. Monteer de diamantschijf op de binnenflens en schroef de borgmoer op de as. De vlakke kant van de borgmoer moet naar de

diamantschijf gericht zijn, mocht u de diamantschijf gebruiken.

## Stofroosters aanbrengen en verwijderen (optioneel accessoire)

### WAARSCHUWING:

- Controleer altijd of het gereedschap is uitgeschakeld en de stekker uit het stopcontact is getrokken alvorens de stofroosters aan te brengen of te verwijderen. Als u dit niet doet, kan dit leiden tot beschadiging van het gereedschap of persoonlijk letsel.

Er zijn drie soorten stofroosters die elk in een andere positie worden gebruikt. (zie afb. 13 - 15)

Plaats de stofroosters zodanig dat de zijde van het stofrooster met de markering (A, B of C) naar de voorkant van het gereedschap is gericht. Klik de pennen van het stofrooster in de ventilatieopening. (zie afb. 16)

Het stofrooster kan met de hand worden verwijderd.

### OPMERKING:

- Maak het stofrooster schoon wanneer het verstopt raakt met stof en vreemde stoffen. Doorwerken met een verstopt stofrooster kan het gereedschap beschadigen.

## BEDIENING

### WAARSCHUWING:

- Het moet nooit nodig zijn om grote kracht uit te oefenen op het gereedschap. Het gewicht van het gereedschap zorgt al voor voldoende druk op het werkstuk. Grote kracht en hoge druk uitoefenen kunnen ertoe leiden dat de schijf breekt. Dit is zeer gevaarlijk.
- Vervang de schijf ALTIJD als het gereedschap tijdens het slijpen is gevallen.
- Stoot of sla NOOIT met de slijpschijf tegen het werkstuk.
- Voorkom dat de schijf over het werkstuk huppelt of bekneld raakt tijdens het werken in hoeken, op scherpe randen, enz. Hierdoor kunt u de controle over het gereedschap verliezen of kan terugslag worden veroorzaakt.
- Gebruik het gereedschap NOOIT met zaagbladen en dergelijke. Als dergelijke zaagbladen op een slijpmachine worden gebruikt, verspringen ze veelal waardoor u de controle over het gereedschap verliest en persoonlijk letsel kan ontstaan.

### LET OP:

- Schakel na gebruik altijd het gereedschap uit en wacht totdat de schijf volledig tot stilstand is gekomen alvorens het gereedschap neer te leggen.

## Slijp- en schuurwerkzaamheden

Houd het gereedschap ALTIJD stevig vast met een hand op de behuizing en de andere hand aan de zijhandgreep. Schakel het gereedschap in en breng daarna de schijf in aanraking met het werkstuk.

In het algemeen geldt: houd de rand van de schijf onder een hoek van ongeveer 15 graden op het oppervlak van het werkstuk.

Tijdens de inlooperperiode van een nieuwe schijf, mag u de slijpmachine niet in de richting van pijl B gebruiken omdat de schijf dan in het werkstuk zal snijden. Nadat de rand van de schijf is afgerond door gebruik, kunt u de schijf in de richting van zowel pijl A als B gebruiken. (zie afb. 17)

## Bediening met diamantschijf (accessoire)

### WAARSCHUWING:

- Forceren en het uitoefenen van buitensporige druk of toestaan dat de schijf in de snede buigt, knelt of draait, kan oververhitting van de motor veroorzaken of gevaarlijke terugslag.

### LET OP:

- Controleer of de diamantschijf na een snijbewerking helemaal met draaien is gestopt. Leg het gereedschap dan pas neer. Het is gevaarlijk om het gereedschap neer te leggen voordat het is uitgeschakeld. Als er stof of vuil rondom het gereedschap is, kan dit opgezogen worden.

Zorg dat de schijf het werkstuk niet raakt.

Zet het gereedschap aan en houd het stevig vast. Wacht tot de schijf op volle snelheid komt. Duw het gereedschap nu gewoon naar voren over het oppervlak van het werkstuk, houd het daarbij vlak, en duw gelijkmatig totdat het snijden klaar is.

## ONDERHOUD

### LET OP:

- Zorg er altijd voor dat het gereedschap is uitgeschakeld en de stekker uit het stopcontact is getrokken, voordat u een inspectie of onderhoud uitvoert. (zie afb. 18)

Het gereedschap en de ventilatieopeningen moeten schoon gehouden worden.

Maak de ventilatieopeningen van het gereedschap regelmatig schoon of zodra de ventilatieopeningen verstopt dreigen te raken.

Om de VEILIGHEID en BETROUWBAARHEID van het gereedschap te handhaven, dienen alle reparaties, controle en vervanging van de koolborstels, onderhoud en afstellingen te worden uitgevoerd door een erkend Makita-servicecentrum, en altijd met gebruikmaking van originele Makita-vervangingsonderdelen.

## ACCESSOIRES

### LET OP:

- Deze accessoires of hulpstukken worden aanbevolen voor gebruik met het Makita-gereedschap dat in deze gebruiksaanwijzing wordt beschreven. Het gebruik van andere accessoires of hulpstukken kan gevaar voor persoonlijk letsel opleveren. Gebruik de accessoires of hulpstukken uitsluitend voor de aangegeven gebruiksdoeleinden.

Mocht u meer informatie willen hebben over deze accessoires, dan kunt u contact opnemen met uw plaatselijke Makita-servicecentrum.

- Beschermkap (schijfkap)
- Binnenflens

- Schijf met een verzonken middengat
- Borgmoer (voor schijf met een verzonken middengat)
- Rubberblok
- Slijpschijven
- Borgmoer (voor slijpschijven)
- Borgmoersleutel
- Komvormige draadborstel
- Kegelvormige draadborstel 85
- Zijhandgreep
- Diamantschijf
- Stofbeschermerkap

**Voor model 9561CR, 9561CVR, 9562CR, 9562CVR**  
**Alleen voor Europese landen**

**Geluid** ENG101-1

Het standaard A-gewogen geluidsniveau zoals vastgesteld conform EN60745-2-3:

Geluidsdrukniveau ( $L_{pA}$ ): 83 dB (A)

Onzekerheid (K): 3 dB (A)

Het geluidsniveau kan tijdens gebruik hoger worden dan 85 dB (A).

**Draag gehoorbescherming.**

**Trilling** ENG208-2

De totale trillingswaarde (triaxiale vectorsom) zoals vastgesteld volgens EN60745-2-3:

Gebruikstoepassing: oppervlak slijpen

Trillingsemisatie ( $a_{h,AG}$ ): 8,5 m/s<sup>2</sup>

Onzekerheid (K): 1,5 m/s<sup>2</sup>

Tijdens doorslijpen en draadborstelen kunnen andere trillingsemisiewaarden optreden.

**Voor model 9564CR, 9564CVR**

**Alleen voor Europese landen**

**Geluid** ENG101-1

Het standaard A-gewogen geluidsniveau zoals vastgesteld conform EN60745-2-3:

Geluidsdrukniveau ( $L_{pA}$ ): 83 dB (A)

Onzekerheid (K): 3 dB (A)

Het geluidsniveau kan tijdens gebruik hoger worden dan 85 dB (A).

**Draag gehoorbescherming.**

**Trilling** ENG208-2

De totale trillingswaarde (triaxiale vectorsom) zoals vastgesteld volgens EN60745-2-3:

Gebruikstoepassing: oppervlak slijpen

Trillingsemisatie ( $a_{h,AG}$ ): 8,0 m/s<sup>2</sup>

Onzekerheid (K): 1,5 m/s<sup>2</sup>

Tijdens doorslijpen en draadborstelen kunnen andere trillingsemisiewaarden optreden.

**Voor model 9565CR, 9565CVR**

**Alleen voor Europese landen**

**Geluid** ENG101-1

Het standaard A-gewogen geluidsniveau zoals vastgesteld conform EN60745-2-3:

Geluidsdrukniveau ( $L_{pA}$ ): 82 dB (A)

Onzekerheid (K): 3 dB (A)

Het geluidsniveau kan tijdens gebruik hoger worden dan 85 dB (A).

**Draag gehoorbescherming.**

**Trilling** ENG208-2

De totale trillingswaarde (triaxiale vectorsom) zoals vastgesteld volgens EN60745-2-3:

Gebruikstoepassing: oppervlak slijpen

Trillingsemisatie ( $a_{h,AG}$ ): 8,0 m/s<sup>2</sup>

Onzekerheid (K): 1,5 m/s<sup>2</sup>

Tijdens doorslijpen en draadborstelen kunnen andere trillingsemisiewaarden optreden.

**EU-VERKLARING VAN CONFORMITEIT** ENH001-8

**9561CR, 9561CVR, 9562CR, 9562CVR, 9564CR, 9564CVR, 9565CR, 9565CVR**

Wij verklaren onder eigen verantwoordelijkheid dat dit product voldoet aan de normen in de volgende documenten:

EN50144, EN55014 en EN61000 in overeenstemming met de richtlijnen van de Raad, 2004/108/EC en 98/37/EC.

**CE 2008**



Tomoyasu Kato  
 Directeur

Verantwoordelijke fabrikant:

**Makita Corporation**

3-11-8, Sumiyoshi-cho, Anjo, Aichi, JAPAN

Erkende vertegenwoordiger voor Europa:

**Makita International Europe Ltd.**

Michigan Drive, Tongwell, Milton Keynes, Bucks MK15 8JD, ENGLAND

**Descripción y visión general**

- |  |  |                                 |
|--|--|---------------------------------|
| 1. Bloqueo del eje                                     | 8. Tornillo                                      | 15. Husillo                     |
| 2. Interruptor deslizante                              | 9. Palanca                                       | 16. Marca A                     |
| 3. Luz indicadora (dial de regulación de la velocidad) | 10. Contratuerca                                 | 17. Marca B                     |
| 4. Luz indicadora                                      | 11. Disco de amolar de centro hundido/multidisco | 18. Marca C                     |
| 5. Dial de regulación de la velocidad                  | 12. Brida interior                               | 19. Gancho                      |
| 6. Protector de disco                                  | 13. Llave de contratuerca                        | 20. Rejilla de ventilación      |
| 7. Caja de cojinetes                                   | 14. Disco de diamante                            | 21. Abertura de salida de aire  |
|  |  | 22. Abertura de entrada de aire |

**ESPECIFICACIONES**

Diámetro del disco con el centro hundido	115 mm M14	9561CR	9564CR	9561CVR	9564CVR
Rosca del husillo	125 mm M14	9562CR	9565CR	9562CVR	9565CVR
Velocidad nominal (n)/Velocidad en vacío (n <sub>0</sub> )	11.000 (min <sup>-1</sup> )	11.000 (min <sup>-1</sup> )	2.800 - 11.000 (min <sup>-1</sup> )	2.800 - 11.000 (min <sup>-1</sup> )	2.800 - 11.000 (min <sup>-1</sup> )
Longitud total	289 mm	299 mm	289 mm	299 mm	299 mm
Peso neto	1,8 kg	1,8 kg	1,8 kg	1,8 kg	1,8 kg
Clase de seguridad	II/III				

- Debido a nuestro programa continuo de investigación y desarrollo, las especificaciones aquí descritas están sujetas a cambios sin previo aviso.
- Nota: Las especificaciones pueden ser diferentes de un país a otro.

**Símbolos**

END202-4

Se utilizan los siguientes símbolos para el equipo.

Asegúrese de que comprende su significado antes del uso.



..... Lea el manual de instrucciones.



..... DOBLE AISLAMIENTO



..... Utilice gafas de seguridad.

**Uso previsto**

ENE048-1

Esta herramienta está pensada para amolar, lijar y cortar metales y piedras sin usar agua.

**Alimentación**

ENF002-1

La herramienta debe conectarse solamente a una fuente de alimentación de la misma tensión que la indicada en la placa de características, y sólo puede funcionar con corriente alterna monofásica. El sistema de doble aislamiento de la herramienta cumple con las normas europeas y puede, por lo tanto, usarse también en tomacorrientes sin conductor de tierra.

**NORMAS DE SEGURIDAD ESPECÍFICAS**

GEB033-1

No deje que la comodidad o la familiaridad con el producto (a base de utilizarlo repetidamente) sustituya la estricta observancia de las normas de seguridad de la amoladora. Si utiliza esta herramienta

**de forma no segura o incorrecta, puede sufrir graves daños corporales.**

- 1. Advertencias de seguridad generales para operaciones de amolado, lijado, cepillado con alambre o corte abrasivo:**
- 2. Esta herramienta eléctrica está pensada para ser utilizada como amoladora, lijadora, cepillo de alambre o cortadora. Lea todas las advertencias de seguridad, instrucciones, ilustraciones y especificaciones que acompañan a esta herramienta eléctrica.** No seguir todas las instrucciones que se indican a continuación podría provocar una descarga eléctrica, incendio o lesiones graves.
- 3. No se recomienda utilizar esta herramienta para operaciones tales como pulir.** El uso de la herramienta en aplicaciones para las cuales no ha sido diseñada puede generar peligros y ocasionar daños personales.
- 4. No utilice accesorios diferentes de aquellos que el fabricante haya diseñado o recomendado especialmente para esta herramienta.** El hecho de que el accesorio pueda montarse en la herramienta no garantiza que sea seguro.
- 5. Las revoluciones nominales del accesorio deben ser como mínimo iguales a la velocidad máxima indicada en la herramienta.** Si un accesorio se mueve a una velocidad mayor a la admisible, podría romperse y salir despedido.
- 6. El diámetro exterior y el grosor del accesorio deben encontrarse dentro de la capacidad de la herramienta.** Los accesorios de tamaño incorrecto no pueden protegerse ni controlarse correctamente.

7. **Los orificios de los discos, bridas, platos lijadores y otros accesorios deben encajar correctamente con el husillo de la herramienta.** Los accesorios que no se ajustan correctamente a las piezas de montaje de la herramienta giran descentrados, vibran en exceso y pueden hacer perder el control de la herramienta.
8. **No utilice accesorios dañados. Antes de cada uso inspeccione los accesorios con el fin de detectar, por ejemplo, si un disco abrasivo está astillado o agrietado, si un plato lijador está agrietado, roto o desgastado en exceso, o si un cepillo de alambre contiene púas sueltas o rotas. Si se cae la herramienta o el accesorio, compruebe si ha sufrido algún daño o monte un accesorio en buen estado. Una vez revisado y montado un accesorio, colóquese usted y las personas circundantes fuera del plano de rotación del accesorio y deje funcionar la herramienta eléctrica en vacío a velocidad máxima durante un minuto.** Por norma general, los accesorios que están dañados se rompen durante este tiempo de prueba.
9. **Utilice equipo de protección personal. Dependiendo del trabajo, utilice una careta, protección para los ojos o gafas de seguridad. Si fuera necesario, utilice una mascarilla antipolvo, protectores auditivos, guantes y un mandil adecuado para protegerse de los pequeños fragmentos que pudieran salir proyectados.** Las gafas de protección deberán ser indicadas para detener los pequeños fragmentos que pudieran salir proyectados al trabajar. La mascarilla antipolvo o respiratoria debe ser apta para filtrar las partículas producidas al trabajar. Una exposición prolongada al ruido puede producir pérdidas auditivas.
10. **Encárguese de que todas las personas se mantengan a suficiente distancia de la zona de trabajo. Toda persona que acceda a la zona de trabajo deberá utilizar equipo de protección personal.** Podría sufrir daños, incluso fuera del área de trabajo inmediata, al salir proyectados fragmentos de la pieza de trabajo o del accesorio.
11. **Sujete la herramienta eléctrica sólo por las superficies de agarre aisladas al realizar una operación en que el accesorio de corte pueda entrar en contacto con cables ocultos o con su propio cable.** Si entra en contacto con un cable con corriente, puede que las piezas metálicas expuestas de la herramienta eléctrica se carguen también de corriente y que el operario reciba una descarga.
12. **Mantenga el cable alejado del accesorio en funcionamiento.** En caso de perder el control, el cable de red podría enredarse o cortarse con el accesorio y arrastrar de esta forma su mano hacia el mismo.
13. **Jamás deposite la herramienta eléctrica hasta que el accesorio se haya detenido por completo.** El accesorio en funcionamiento podría entrar en contacto con la superficie de apoyo y hacerle perder el control sobre la herramienta.
14. **No deje funcionar la herramienta eléctrica mientras la transporta.** El accesorio en funcionamiento podría ocasionarle daños personales al engancharse accidentalmente en su vestimenta.
15. **Limpie periódicamente los orificios de ventilación de la herramienta.** El ventilador del motor aspira polvo hacia el interior de la carcasa y, en caso de acumularse un exceso de polvo metálico, podría provocar una descarga eléctrica.
16. **No utilice la herramienta eléctrica cerca de materiales inflamables.** Las chispas podrían inflamarlos.
17. **No emplee accesorios que requieran ser refrigerados con líquidos.** El uso de agua u otros refrigerantes líquidos puede provocar una descarga o electrocución.
18. **Contragolpes y advertencias al respecto**  
El contragolpe es una reacción brusca que se produce al atascarse o engancharse un disco de amolar, un plato lijador, un cepillo de alambre u otro accesorio. Al atascarse o engancharse el accesorio en funcionamiento, éste es frenado bruscamente y puede hacer perder el control sobre la herramienta eléctrica, impulsándola en la dirección opuesta al sentido de giro que tenía el accesorio en el momento de agarrotarse.  
Por ejemplo, si un disco de amolar se atasca o engancha en la pieza de trabajo, puede suceder que el borde del accesorio que entra en el material quede bloqueado, provocando la rotura del accesorio o un contragolpe. Según el sentido de giro del disco en el momento de bloquearse, puede que éste resulte despedido en dirección al operario o en sentido opuesto.  
En este caso también puede suceder que los discos de amolar se rompan.  
El contragolpe es el resultado de un mal uso de la herramienta eléctrica o de condiciones o procedimientos de uso incorrectos y se puede evitar tomando las precauciones que se indican a continuación.
  - a) **Sujete con firmeza la herramienta eléctrica y mantenga su cuerpo y brazos en una posición que le permita resistir los contragolpes. Si forma parte del equipo, utilice siempre la empuñadura auxiliar para poder controlar mejor las fuerzas derivadas del contragolpe o los pares de reacción durante la puesta en marcha.** El operario puede controlar los pares de reacción y las fuerzas derivadas del contragolpe si toma las medidas oportunas.
  - b) **Jamás aproxime la mano al accesorio en funcionamiento.** En caso de contragolpe el accesorio podría dañarle la mano.
  - c) **No se coloque en el área hacia donde se movería la herramienta en caso de contragolpe.** En caso de contragolpe la herramienta saldrá rechazada en sentido opuesto al movimiento del disco.
  - d) **Preste especial atención al trabajar en esquinas, bordes afilados, etc. Evite que el accesorio rebote o se atasque.** En las esquinas,



bordes afilados, o al rebotar, el accesorio en funcionamiento tiende a atascarse y puede provocar la pérdida de control o un contragolpe.

e) **No utilice hojas de sierra para maderas ni otros accesorios dentados.** Estos accesorios son propensos al rechazo y pueden hacerle perder el control

19. **Advertencias de seguridad específicas para operaciones de amolado y corte abrasivo:**

a) **Utilice únicamente los tipos de discos recomendados para su herramienta eléctrica y el protector correcto para el disco en cuestión.** Los discos que no fueron diseñados para esta herramienta no pueden quedar suficientemente protegidos y suponen un peligro.

b) **Para obtener el nivel máximo de seguridad, el protector debe estar bien sujeto y colocado en la herramienta eléctrica, de forma que el operario esté expuesto a una parte mínima del disco.** El protector ayuda a proteger al operario frente a los fragmentos de disco que se rompen y el contacto accidental con el disco.

c) **Utilice el disco solamente en aquellos trabajos para los que fue concebido. Por ejemplo: no emplee las caras de un disco de corte para amolar.** Los discos de corte abrasivos están previstos para amolar utilizando su periferia; la aplicación de fuerzas en sus caras puede hacer que se rompan.

d) **Utilice siempre bridas que estén en buen estado y que tengan las dimensiones y la forma correctas para el disco utilizado.** Una brida adecuada soporta correctamente el disco reduciendo así el peligro de rotura. Las bridas para discos de corte pueden ser diferentes de aquellas para los discos de amolar.

e) **No utilice discos gastados de herramientas de mayor tamaño.** Los discos destinados a una herramienta eléctrica más grande no son aptos para soportar la mayor velocidad de las herramientas más pequeñas y podrían romperse.

20. **Advertencias de seguridad adicionales específicas para operaciones de corte abrasivo:**

a) **No haga demasiada fuerza ni aplique demasiada presión con el disco de corte. No intente hacer cortes de una profundidad excesiva.** Si el disco se somete a una fuerza excesiva aumenta la carga y las posibilidades de que se doble o se agarrote en el corte, así como de que se rompa o se produzca un contragolpe.

b) **No se coloque en línea ni detrás del disco en funcionamiento.** Cuando el disco está en funcionamiento y se mueve en dirección opuesta a usted, un contragolpe podría proyectar el disco y la herramienta en dirección a usted.

c) **Cuando la hoja esté agarrotada o se interrumpa la operación de corte, apague la herramienta eléctrica y manténgala en posición inmóvil hasta que el disco se detenga por completo. No intente extraer el disco del corte mientras esté en funcionamiento, ya que de lo contrario podría producirse un contragolpe.** Investigue y tome las

acciones correctoras para eliminar la causa del agarrotamiento del disco.

d) **No reanude la operación de corte con la herramienta en la pieza de trabajo. Deje que el disco alcance la velocidad máxima y vuelva a introducirlo en el corte con cuidado.** Si la herramienta se vuelve a poner en marcha dentro de la pieza de trabajo, el disco podría doblarse, salirse o provocar un contragolpe.

e) **Apoye los paneles y otras piezas de trabajo de tamaño excesivo para reducir el peligro de que el disco se atasque o se produzca un contragolpe.** Las piezas de trabajo grandes tienden a hundirse bajo su propio peso. Deben colocarse soportes bajo la pieza de trabajo a ambos lados, cerca de la línea de corte y del borde de la pieza de trabajo.

f) **Tenga especial cuidado cuando realice un “corte de inmersión” en paredes u otras áreas ciegas.** Al salir por el otro lado, el disco podría cortar un tubo de gas o de agua, un cable eléctrico u otro objeto que podría provocar un contragolpe.

21. **Advertencias de seguridad específicas para operaciones de lijado:**

a) **No utilice papel de lija de tamaño excesivo para el disco. Seleccione el papel de lija conforme a las recomendaciones del fabricante.** El exceso de papel de lija que sobresale del plato lijador supone un peligro de desgarro y puede provocar que el disco se enganche o se rompa o que se produzca un contragolpe.

22. **Advertencias de seguridad específicas para las operaciones de cepillado con alambre:**

a) **Tenga presente que el alambre del cepillo sale despedido incluso durante el funcionamiento normal. No sobrecargue los alambres aplicando una fuerza excesiva al disco.** Los alambres pueden penetrar con facilidad a través de una prenda delgada y / o la piel.

b) **Si se recomienda utilizar un protector durante las operaciones de cepillado, impida que el disco o cepillo de alambre interfiera en el protector.** El diámetro del disco o cepillo de alambre puede aumentar a causa de la carga de trabajo y las fuerzas centrífugas.

23. **Cuando utilice discos de amolar con el centro hundido, asegúrese de emplear solamente discos reforzados con fibra de vidrio.**

24. **Tenga cuidado de no dañar el husillo, la brida (especialmente la superficie de instalación) ni la contratruera. Si se dañan estas piezas, el disco podría romperse.**

25. **Asegúrese de que el disco no esté tocando la pieza de trabajo antes de activar el interruptor.**

26. **Antes de utilizar la herramienta en una pieza de trabajo, déjela en marcha durante unos instantes. Esté atento por si se producen vibraciones u oscilaciones, lo que indicaría que el disco no se ha instalado correctamente o que está mal equilibrado.**

27. **Para realizar las tareas de amolado, use la superficie del disco especificada.**

28. Tenga cuidado con las chispas que saltan. Sostenga la herramienta de modo que las chispas no salten hacia usted ni hacia otras personas o materiales inflamables.
29. No deje la herramienta encendida. Póngala en marcha solamente cuando la tenga en las manos.
30. No toque la pieza de trabajo inmediatamente después de la tarea, ya que puede estar extremadamente caliente y producir quemaduras en la piel.
31. Asegúrese siempre de apagar y desenchufar la herramienta y de extraer el cartucho de la batería antes de intentar realizar cualquier tipo de operación en la herramienta.
32. Observe las instrucciones del fabricante para montar y utilizar correctamente los discos. Maneje y guarde con cuidado los discos.
33. No utilice bujes de reducción ni adaptadores separados para adaptar discos abrasivos de orificio grande.
34. Utilice sólo las bridas especificadas para esta herramienta.
35. En herramientas que vayan a ser utilizadas con discos de orificio roscado, asegúrese de que la rosca del disco sea lo suficientemente larga como para acomodar la longitud del eje.
36. Compruebe que la pieza de trabajo esté bien sujeta.
37. Tenga cuidado con las chispas que saltan. Sostenga la herramienta de modo que las chispas no salten hacia usted ni hacia otras personas o materiales inflamables.
38. Tenga en cuenta que el disco continuará girando después de haber apagado la herramienta.
39. Si el lugar de trabajo es muy caluroso y húmedo, o si está muy contaminado con polvo conductor, utilice un disyuntor de cortocircuito (30 mA) para garantizar la seguridad del operario.
40. No utilice la herramienta con ningún material que contenga amianto.
41. No utilice agua ni lubricante para amolado.
42. Asegúrese de que las aberturas de ventilación estén despejadas cuando trabaje en condiciones polvorientas. Si fuera necesario eliminar el polvo, desconecte primero la herramienta de la fuente de alimentación (utilice objetos que no sean metálicos) y procure no estropear las piezas internas.
43. Cuando utilice un disco de cortar, trabaje siempre con el protector de disco colector de polvo requerido por el reglamento de su país o región.
44. Los discos de cortar no deben ser sometidos a ninguna presión lateral.

#### **ADVERTENCIA:**

**El MAL USO o la no observancia de las normas de seguridad expuestas en este manual de instrucciones pueden ocasionar graves daños corporales.**

## **GUARDE ESTAS INSTRUCCIONES.**

### **DESCRIPCIÓN DEL FUNCIONAMIENTO**

#### **PRECAUCIÓN:**

- Asegúrese siempre de que la herramienta esté apagada y desenchufada antes de intentar realizar cualquier tipo de ajuste o comprobación en ella.

#### **Bloqueo del eje (Fig. 1)**

#### **PRECAUCIÓN:**

- No accione nunca el bloqueo del eje cuando el eje se esté moviendo ya que, de lo contrario, la herramienta podría averiarse.

Al instalar o extraer los accesorios, presione el bloqueo del eje para evitar que gire el husillo.

#### **Funcionamiento del interruptor (Fig. 2)**

#### **PRECAUCIÓN:**

- Antes de enchufar la herramienta, asegúrese siempre de que el interruptor deslizante funcione como es debido y que vuelva a la posición "OFF" (apagado) al ejercer presión sobre la parte posterior del interruptor deslizante.

Para poner la herramienta en marcha, deslice el interruptor deslizante hasta la posición "I (Encendido)".

Para un uso continuo, pulse la parte frontal del interruptor deslizante para bloquearlo.

Para detener la herramienta, presione la parte posterior del interruptor deslizante y, a continuación, deslícelo hacia la posición "O (Apagado)".

#### **Luz indicadora**

**Para los modelos 9561CVR, 9562CVR, 9564CVR, 9565CVR (Fig. 3)**

**Para los modelos 9561CR, 9562CR, 9564CR, 9565CR (Fig. 4)**

La luz indicadora se enciende de color verde al enchufar la herramienta. Si la luz indicadora no se enciende, puede que el cable de la corriente o el controlador estén averiados. Si la luz indicadora está encendida, pero la herramienta no se pone en marcha aunque esté encendida, puede que las escobillas de carbón estén desgastadas o que el controlador, el motor o el interruptor de encendido y apagado estén averiados.

#### **Mecanismo contra la puesta en marcha accidental**

La herramienta no se pone en marcha con el interruptor bloqueado, aunque esté enchufada.

En ese momento, la luz indicadora parpadea en color rojo e indica que el mecanismo contra la puesta en marcha accidental está funcionando.

Para anular la protección contra la puesta en marcha accidental, devuelva el interruptor deslizante a la posición "O (OFF)" y suéltelo.

## Dial de regulación de la velocidad

Para 9561CVR, 9562CVR, 9564CVR, 9565CVR (Fig. 5)

La velocidad de rotación se puede cambiar girando el dial de ajuste de velocidad hasta un número específico, del 1 al 5.

Se obtendrá mayor velocidad cuando el dial se gire en la dirección del número 5 y se obtendrá menor velocidad cuando se gire en la dirección del número 1.

Consulte la tabla siguiente para ver la relación entre el número del dial y la velocidad de rotación aproximada.

Número	min <sup>-1</sup> (R.P.M.)
1	2.800
2	4.000
3	6.500
4	9.000
5	11.000

### PRECAUCIÓN:

- Si la herramienta se utiliza constantemente a baja velocidad durante un tiempo prolongado, el motor se sobrecalentará
- El dial de regulación de la velocidad puede girarse hasta 5 y de vuelta hasta 1 solamente. No lo fuerce más allá de 5 ó 1, o la función de ajuste de velocidad podrá dejar de funcionar.

Las herramientas que disponen de función electrónica son fáciles de manejar porque cuentan con las características siguientes.

- Control electrónico de velocidad constante  
Permite obtener un acabado preciso, porque la velocidad de rotación se mantiene a un nivel constante incluso en caso de que haya carga.
- Característica de inicio lento  
Elimina la sacudida inicial.
- Protector de sobrecarga  
Adicionalmente, cuando la carga de la herramienta sobrepasa los niveles admisibles, se reduce la potencia del motor para protegerlo del sobrecalentamiento. Cuando la carga vuelva a niveles admisibles, la herramienta funcionará con normalidad.

## MONTAJE

### PRECAUCIÓN:

- Asegúrese siempre de que la herramienta esté apagada y desenchufada antes de intentar realizar cualquier trabajo en ella.

## Instalación de la empuñadura lateral (mango) (Fig. 6)

### PRECAUCIÓN:

- Antes de utilizar la herramienta, asegúrese siempre de que la empuñadura lateral está instalada firmemente.

Atornille con firmeza la empuñadura lateral en la herramienta, tal como se muestra en la figura.

## Instalación o extracción del protector del disco

### Para herramientas con protector de disco de tipo de tornillo de bloqueo (Fig.7)

#### PRECAUCIÓN:

- El protector de disco deberá estar instalado en la herramienta de forma que el lado cerrado del protector esté siempre orientado hacia el operario.

Monte el protector de forma que la protuberancia de la cinta del protector quede alineada con el alojamiento de cojinetes. Acto seguido, gire el protector 180 grados en el sentido contrario a las agujas del reloj. Asegúrese de que el tornillo esté bien apretado.

Para extraer el protector, siga el procedimiento de instalación en orden inverso.

### Para herramientas con protector de disco de tipo de palanca de retención (Fig.8 y 9)

Coloque la palanca en la dirección de la flecha tras aflojar el tornillo. Monte el protector de forma que la protuberancia de la cinta del protector quede alineada con el alojamiento de cojinetes. Acto seguido, gire el protector 180°.

Apriételo con el tornillo después de tirar de la palanca en la dirección de la flecha con la finalidad de trabajo. El ángulo de ajuste del protector de disco se puede ajustar con la palanca.

Para extraer el protector, siga el procedimiento de instalación en orden inverso.

## Instalación o extracción de un disco de amolar de centro hundido/multidisco (accesorio) (Fig. 10)

Monte la brida interior en el husillo. Encaje el disco en la brida interior y enrosque la contratuerca en el husillo.

Para apretar la contratuerca, ejerza presión sobre el bloqueo del eje para que el husillo no pueda girar, y utilice la llave de contratuerca

para ajustarla con firmeza en el sentido de las agujas del reloj. (Fig. 11)

Para extraer el disco, siga el procedimiento de instalación en orden inverso.

## Montaje o extracción del disco de diamante (accesorio opcional)

### PRECAUCIÓN:

- Asegúrese de que la flecha de la herramienta apunte en la misma dirección que la flecha del disco de diamante. (Fig. 12)

Monte la brida interior en el husillo. Encaje el disco de diamante en la brida interior y enrosque la contratuerca en el husillo. Tenga en cuenta que el lado plano de la contratuerca debe mirar hacia el disco de diamante si se utiliza un disco de diamante.

## Instalación o desmontaje del accesorio de cubierta contra el polvo (accesorio opcional)

### ADVERTENCIA:

- Asegúrese siempre de que la herramienta esté apagada y desenchufada antes de instalar o extraer el accesorio de cubierta contra el polvo. De lo contrario, se puede dañar la herramienta o se pueden provocar lesiones personales.

Existen tres tipos de accesorios de cubierta contra el polvo y cada uno se utiliza en una posición diferente.

### (Fig. 13 - 15)

Coloque el accesorio de cubierta contra el polvo de forma que un lado del accesorio de cubierta contra el polvo con la marca (A, B o C) mire hacia el cabezal de la herramienta. Encaje los ganchos del accesorio de cubierta contra el polvo en la rejilla de ventilación.

### (Fig. 16)

El accesorio de cubierta contra el polvo se puede extraer con la mano.

### NOTA:

- Limpie el accesorio de cubierta contra el polvo cuando esté obstruido con suciedad o cuerpos extraños. El uso continuado con un accesorio de cubierta contra el polvo obstruido dañará la herramienta.

## MANEJO

### ADVERTENCIA:

- No deberá ser nunca necesario forzar la herramienta. El peso de la herramienta ya aplica la presión adecuada. Si la fuerza y ejerce una presión excesiva, podría romperse el disco con el peligro que eso conlleva.
- Reemplace el disco SIEMPRE si se cae la herramienta durante el amolado.
- No golpee NUNCA el disco de amolar u otros discos contra la pieza de trabajo.
- Evite que el disco rebote o se enganche, especialmente cuando trabaje en esquinas, bordes afilados, etc. Podría ocasionar la pérdida del control y retrocesos bruscos.
- No utilice NUNCA esta herramienta con discos para cortar madera ni otros discos de sierra. Con estas sierras, la herramienta podría rebotar con fuerza y causarle lesiones.

### PRECAUCIÓN:

- Después de finalizar la tarea, apague siempre la herramienta y espere hasta que el disco se haya parado completamente antes de dejar la herramienta.

## Operación de pulido y lijado

Sujete SIEMPRE la herramienta firmemente con una mano en el cuerpo de la herramienta y otra mano en la empuñadura lateral. Enciéndala y aplique el disco a la pieza de trabajo.

Normalmente, mantenga el borde del disco en un ángulo de unos 15 grados con respecto a la superficie de la pieza de trabajo.

Durante el período de funcionamiento inicial con un disco nuevo, no haga funcionar la amoladora en la dirección B porque cortaría la pieza de trabajo. Una vez que se haya redondeado el borde del disco, ya podrá utilizarlo en las direcciones A y B. (Fig. 17)

## Utilización con el disco de diamante (accesorio)

### ADVERTENCIA:

- Si lo fuerza o ejerce una presión excesiva, o permite que el disco se doble, se atasque o se tuerza en el corte, se puede provocar un sobrecalentamiento del motor y un retroceso peligroso de la herramienta.

### PRECAUCIÓN:

- Una vez realizada la operación de corte, asegúrese de que el disco de diamante se detenga completamente. A continuación, puede dejar la herramienta sobre una superficie. Es peligroso dejar la herramienta sobre una superficie antes de apagarla. Si hay polvo o suciedad alrededor de la herramienta, pueden ser absorbidos por la herramienta.

Asegúrese de que el disco no entre en contacto con la pieza de trabajo.

Encienda la herramienta y sujétela firmemente. Espere hasta que la herramienta alcance la velocidad máxima. Ahora sólo tiene que empujar la herramienta hacia delante sobre la superficie de la pieza de trabajo, manteniéndola plana y avanzando suavemente hasta que el proceso de corte se haya completado.

## MANTENIMIENTO

### PRECAUCIÓN:

- Asegúrese siempre de que la herramienta esté apagada y desenchufada antes de intentar realizar cualquier trabajo de inspección o mantenimiento en ella. (Fig. 18)

La herramienta y los orificios de ventilación deben mantenerse siempre limpios.

Limpie los orificios de ventilación periódicamente o siempre que perciba cualquier obstrucción.

Para conservar la SEGURIDAD y la FIABILIDAD del producto, los trabajos de reparación, la inspección y la sustitución de las escobillas de carbón, así como otros trabajos de mantenimiento y ajuste, deberán ser realizados en centros de servicio autorizados de Makita, utilizando siempre piezas de repuesto de Makita.

## ACCESORIOS

### PRECAUCIÓN:

- Se recomienda el uso de estos accesorios o complementos con la herramienta Makita especificada en este manual. El uso de otros accesorios o complementos puede conllevar el riesgo de ocasionar daños corporales. Utilice los accesorios o complementos solamente para su fin establecido.

Si necesita cualquier ayuda para obtener más información relativa a estos accesorios, pregunte al centro de servicio Makita local.

- Protector de disco (cubierta de disco)
- Brida interior
- Discos de centro hundido
- Contratuercas (para disco de centro hundido)
- Almohadilla de goma
- Discos abrasivos
- Contratuercas (para disco abrasivo)
- Llave de la contratuerca
- Cepillo de copa de alambre
- Cepillo circular de alambre 85
- Empuñadura lateral
- Disco de diamante
- Protector de disco colector de polvo

**Para el modelo 9561CR, 9561CVR, 9562CR, 9562CVR**  
**Sólo para los países europeos**

**Ruido** ENG101-1  
 Nivel de ruido típico de ponderación A establecido según EN60745-2-3:

Nivel de presión de sonido ( $L_{pA}$ ): 83 dB (A)  
 Incertidumbre (K): 3 dB (A)

El nivel de ruido durante el trabajo puede superar los 85 dB (A).

**Utilice protección para los oídos.**

**Vibración** ENG208-2  
 Valor total de la vibración (suma de vectores triaxiales) determinada según el estándar EN60745-2-3:

Modo de trabajo: amolado de superficies  
 Emisión de vibraciones ( $a_{h,AG}$ ): 8,5 m/s<sup>2</sup>  
 Incertidumbre (K): 1,5 m/s<sup>2</sup>

El corte o el cepillado de alambre pueden tener diferentes valores de emisión de vibraciones.

**Para el modelo 9564CR, 9564CVR**  
**Sólo para los países europeos**

**Ruido** ENG101-1  
 Nivel de ruido típico de ponderación A establecido según EN60745-2-3:

Nivel de presión de sonido ( $L_{pA}$ ): 83 dB (A)  
 Incertidumbre (K): 3 dB (A)

El nivel de ruido durante el trabajo puede superar los 85 dB (A).

**Utilice protección para los oídos.**

**Vibración** ENG208-2  
 Valor total de la vibración (suma de vectores triaxiales) determinada según el estándar EN60745-2-3:

Modo de trabajo: amolado de superficies  
 Emisión de vibraciones ( $a_{h,AG}$ ): 8,0 m/s<sup>2</sup>  
 Incertidumbre (K): 1,5 m/s<sup>2</sup>

El corte o el cepillado de alambre pueden tener diferentes valores de emisión de vibraciones.

**Para el modelo 9565CR, 9565CVR**  
**Sólo para los países europeos**

**Ruido** ENG101-1  
 Nivel de ruido típico de ponderación A establecido según EN60745-2-3:

Nivel de presión de sonido ( $L_{pA}$ ): 82 dB (A)  
 Incertidumbre (K): 3 dB (A)

El nivel de ruido durante el trabajo puede superar los 85 dB (A).

**Utilice protección para los oídos.**

**Vibración** ENG208-2  
 Valor total de la vibración (suma de vectores triaxiales) determinada según el estándar EN60745-2-3:

Modo de trabajo: amolado de superficies  
 Emisión de vibraciones ( $a_{h,AG}$ ): 8,0 m/s<sup>2</sup>  
 Incertidumbre (K): 1,5 m/s<sup>2</sup>

El corte o el cepillado de alambre pueden tener diferentes valores de emisión de vibraciones.

**DECLARACIÓN DE CONFORMIDAD DE LA CE**

ENH001-8

**9561CR, 9561CVR, 9562CR, 9562CVR, 9564CR, 9564CVR, 9565CR, 9565CVR**

Declaramos bajo nuestra exclusiva responsabilidad que este producto cumple con los siguientes estándares de documentos estandarizados; EN50144, EN55014, EN61000 de acuerdo con las directivas del Consejo, 2004/108/CE, 98/37/CE.

**CE 2008**



Tomoyasu Kato  
 Director

Fabricante responsable:

**Makita Corporation**

3-11-8, Sumiyoshi-cho, Anjo, Aichi, JAPÓN  
 Representante autorizado en Europa:

**Makita International Europe Ltd.**

Michigan Drive, Tongwell, Milton Keynes, Bucks MK15 8JD, ENGLAND

## Descrição geral

- |   |   |                           |
|---|---|---------------------------|
| 1. Bloqueio do veio                                     | 8. Parafuso   | 16. Marca A               |
| 2. Interruptor deslizante                               | 9. Alavanca   | 17. Marca B               |
| 3. Luz indicadora (manípulo de regulação da velocidade) | 10. Porca de bloqueio                                 | 18. Marca C               |
| 4. Luz indicadora                                       | 11. Roda de afiar central com reentrância/multi-disco | 19. Pino                  |
| 5. Manípulo de regulação da velocidade                  | 12. Flange interior                                   | 20. Ventilação            |
| 6. Protecção da roda                                    | 13. Chave da porca de bloqueio                        | 21. Ventilação de saída   |
| 7. Caixa de rolamentos                                  | 14. Roda diamantada                                   | 22. Ventilação de entrada |
|   | 15. Fuso  |                           |

## ESPECIFICAÇÕES

Diâmetro da roda central com reentrância Ranhura do fuso	115 mm M14	9561CR	9564CR	9561CVR	9564CVR
	125 mm M14	9562CR	9565CR	9562CVR	9565CVR
Velocidade nominal (n) / Velocidade sem carga (n <sub>o</sub> )	11.000 (min <sup>-1</sup> )	11.000 (min <sup>-1</sup> )	2.800 - 11.000 (min <sup>-1</sup> )	2.800 - 11.000 (min <sup>-1</sup> )	2.800 - 11.000 (min <sup>-1</sup> )
Comprimento total	289 mm	299 mm	289 mm	299 mm	299 mm
Peso líquido	1,8 kg	1,8 kg	1,8 kg	1,8 kg	1,8 kg
Classe de segurança	▣/II				

- Devido à pesquisa e desenvolvimento constantes, estas especificações estão sujeitas a alteração sem aviso prévio.
- Nota: estas especificações podem diferir de país para país.

### Símbolos

END202-4

Descrição dos símbolos utilizados no equipamento.

Certifique-se de que compreende o seu significado, antes da utilização.



..... Leia o manual de instruções.



..... BLINDAGEM DUPLA



..... Use óculos de segurança.

### Utilização prevista

ENE048-1

A ferramenta destina-se a afiar, lixar e cortar materiais em metal e pedra, sem a utilização de água.

### Fonte de alimentação

ENF002-1

A ferramenta apenas deve ser ligada a uma fonte de alimentação da mesma tensão que a indicada na chapa de especificações, e apenas pode funcionar com uma alimentação CA monofásica. Estão blindadas duplamente, de acordo com a Norma Europeia e podem, assim, ser igualmente ligadas a tomadas sem fio terra.

## REGRAS DE SEGURANÇA ESPECÍFICAS

GEB033-1

**NÃO deixe que o progressivo à vontade com o produto (resultante de uma utilização frequente) o faça esquecer o estrito cumprimento das regras de segurança de utilização da afiadora. Se utilizar a**

**ferramenta incorrectamente ou não respeitar as regras de segurança, poderá ferir-se gravemente.**

- 1. Avisos de Segurança Comuns para Afiar, Lixar, Escovar com arame ou para Operações de corte abrasivas:**
- 2. Esta ferramenta serve para afiar, lixar, escovar com arame e cortar. Leia todos os avisos, instruções, ilustrações e especificações de segurança fornecidos juntamente com a ferramenta.** Caso não siga todas as instruções indicadas em baixo, poderão ocorrer choques eléctricos, incêndios e/ou ferimentos graves.
- 3. As operações, tais como polir, não devem ser desempenhadas com esta ferramenta.** Operações para as quais a ferramenta não foi concebida podem criar perigos e causar ferimentos pessoais.
- 4. Não utilize acessórios que não sejam especificamente concebidos e recomendados pelo fabricante da ferramenta.** Mesmo que o acessório encaixe na ferramenta, isso não garante uma operação segura.
- 5. A velocidade nominal do acessório deve ser no mínimo igual à velocidade máxima marcada na ferramenta.** Os acessórios a funcionar mais rapidamente do que a velocidade nominal podem quebrar e sair projectados.
- 6. O diâmetro exterior e a espessura do acessório deve estar dentro da capacidade nominal da ferramenta.** Os acessórios com tamanhos incorrectos não podem ser guardados ou controlados adequadamente.
- 7. O tamanho do alojamento das rodas, flanges, discos de apoio ou qualquer outro acessório deve**

- encaixar adequadamente no veio da ferramenta.** Os acessórios com orifícios de alojamento que não correspondem ao hardware de instalação da ferramenta perderão o balanço, vibrarão excessivamente e podem causar perda de controlo.
8. **Não utilize um acessório danificado. Antes de cada utilização, inspeccione sempre o acessório, em busca de fissuras e fendas nas rodas abrasivas, fendas, desgaste ou uso excessivo nos discos de apoio e arames partidos ou soltos na escova de arame. Se a ferramenta ou acessório cair, inspeccione para a existência de danos ou instale um acessório não danificado. Após inspeccionar e instalar um acessório, posicione-se por norma longe do acessório rotativo e ligue a ferramenta na velocidade máxima sem carga durante um minuto.** Normalmente, os acessórios danificados partem-se durante este teste.
  9. **Use equipamento pessoal de protecção. Consoante a aplicação, use protecção para a cara ou óculos de segurança. Use máscara de pó, protectores auditivos, luvas e avental adequados, capazes de parar pequenos fragmentos abrasivos ou da peça de trabalho.** A protecção dos olhos deve ser capaz de parar detritos projectados gerados por várias utilizações. A máscara de pó ou respirador deve conseguir filtrar partículas geradas pela operação que estiver a efectuar. Uma exposição prolongada a ruído de alta intensidade pode causar perda de audição.
  10. **Mantenha as pessoas presentes a uma distância segura da área de trabalho. Qualquer pessoa que entre na área de trabalho deve usar equipamento pessoal de protecção.** Os fragmentos da peça de trabalho ou de um acessório partido podem ser projectados e causar ferimentos para além da área imediata da operação.
  11. **Quando executar operações em que acessórios de corte possam entrar em contacto com fios eléctricos ocultos ou com próprio cabo eléctrico da ferramenta, tenha o cuidado de tocar apenas nas superfícies isoladas desses acessórios.** O acessório de corte em contacto com um fio eléctrico ligado à corrente pode electrificar as peças de metal da ferramenta e causar um choque.
  12. **Posicione o cabo eléctrico longe do acessório rotativo.** Se perder o controlo, o cabo eléctrico pode ser cortado ou movimentado bruscamente e a sua mão ou braço podem ser puxados para o acessório rotativo.
  13. **Nunca pouse a ferramenta antes do acessório parar por completo.** O acessório rotativo pode apanhar a superfície e fazê-lo perder o controlo da ferramenta.
  14. **Não ligue a ferramenta enquanto a leva na mão junto ao corpo.** O contacto accidental com o acessório rotativo pode arrancar a sua roupa, puxando o acessório para o corpo.
  15. **Limpe regularmente as aberturas de ventilação da ferramenta.** A ventoinha do motor atrairá o pó para dentro da caixa e acumulação excessiva de metal em pó pode causar perigos eléctricos.
  16. **Não utilizar a ferramenta perto de materiais inflamáveis.** As faíscas podem acender esses materiais.
  17. **Não utilizar acessórios que requeiram arrefecedores líquidos.** Usar água ou outro líquido arrefecedor poderá resultar em electrocussão ou choque.
  18. **Recuos e Avisos Relacionados**

Um recuo é uma reacção repentina a uma roda rotativa, disco de apoio, escova ou outro qualquer acessório encravado ou movimentado bruscamente. Pressionar ou mover bruscamente causa um rápido bloqueio do acessório rotativo, o que por sua vez faz com que a ferramenta descontrolada seja forçada na direcção oposta à da rotação do acessório ao ponto de empeno.

Por exemplo, se uma roda abrasiva for movimentada bruscamente ou encravada pela peça de trabalho, a ponta da roda que está entrar no ponto de encravamento pode perfurar a superfície do material, fazendo com a roda salte fora ou ressalte. A roda pode saltar em direcção ao operador ou na direcção oposta, consoante o movimento no ponto de perfuração.

As rodas abrasivas podem também quebrar nestas condições.

O recuo é o resultado de uma má utilização da ferramenta e/ou procedimentos de funcionamento incorrectos e pode ser evitado tomando as devidas precauções, tal como indicado em baixo.

    - a) **Segure firmemente na ferramenta e posicione o corpo e o braço de forma a resistir às forças do recuo. Se fornecida, utilize sempre uma pega auxiliar para um controlo máximo sobre o recuo ou reacção de força durante o início.** Se tomar medidas de precaução adequadas, o operador pode controlar as reacções de força ou de recuo.
    - b) **Nunca posicione a mão perto do acessório rotativo.** O acessório pode recuar sobre a sua mão.
    - c) **Não posicione o corpo na área para onde a ferramenta se moverá se ocorrer um recuo.** O recuo projectará a ferramenta na direcção oposta ao movimento da roda, no ponto de movimento brusco.
    - d) **Tenha especial atenção ao trabalhar cantos, extremidades afiadas, etc. Evite fazer ressaltar e movimentar bruscamente o acessório.** Os cantos, extremidades afiadas ou ressaltos têm uma tendência de movimentar bruscamente o acessório rotativo e causar perda de controlo ou recuo.
    - e) **Não colocar uma serra de cortar madeira ou uma serra dentada.** Tais lâminas criam recuos frequentes e perda de controlo.
  19. **Avisos de Segurança Específicos para Operações de Cortes Abrasivos e Afiar:**
    - a) **Use apenas tipos de rodas que são recomendados para a ferramenta e a protecção específica concebida para a roda seleccionada.** Rodas para as quais a ferramenta não foi concebida não podem ser protegidas e não são seguras.

- b) **A protecção deve estar encaixada de forma segura à ferramenta e posicionada para segurança máxima, para que a roda esteja minimamente exposta na direcção do operador.** A protecção ajuda a proteger o operador de fragmentos de roda partida e contacto accidental com a roda.
- c) **As rodas devem ser usadas apenas para as aplicações recomendadas. Por exemplo: não afie com o lado da roda de corte.** As rodas de corte abrasivas têm como fim afiar perifericamente, se aplicar forças laterais a estas rodas pode parti-las.
- d) **Use sempre flanges de rodas não danificadas de tamanho e forma certos para a roda escolhida.** Flanges de rodas adequadas apoiam a roda, reduzindo assim a possibilidade da roda partir. As flanges para as rodas de corte podem ser diferentes das flanges das rodas de afiar.
- e) **Não usar rodas desgastadas de ferramentas maiores.** Uma roda destinada a ferramentas maiores não é apropriada à velocidade superior de uma ferramenta mais pequena, podendo rebentar.
20. **Avisos de Segurança Específicos Adicionais para as Operações de Cortes Abrasivos:**
- a) **Não "encravar" a roda de corte ou aplicar pressão excessiva. Não tentar fazer um corte de profundidade excessiva.** Esforçar a roda aumenta o pressão e a susceptibilidade de girar ou empenar da roda no corte e a possibilidade de recuo ou da roda partir.
- b) **Não posicione o corpo alinhado e atrás da roda rotativa.** Quando a roda, aquando a utilização, está movimentar-se na direcção oposta do seu corpo, o recuo possível pode projectar a roda giratória e a ferramenta na sua direcção.
- c) **Quando a roda está a empenar ou quando interrompe um corte por qualquer razão, desligue a ferramenta e segure-a estaticamente até a roda parar por completo. Nunca tente remover a roda do corte enquanto a roda está em movimento, caso contrário pode ocorrer um recuo.** Investigue e tome acções correctivas para eliminar a causa do empeno da lâmina.
- d) **Não recomence a operação de corte na peça de trabalho. Deixe a roda atingir a velocidade máxima e reentre cuidadosamente no corte.** A roda pode empenar, subir ou recuar se a ferramenta for reiniciada na peça de trabalho.
- e) **Painéis de suporte ou qualquer peça de trabalho demasiado grande para minimizar o risco da roda bater e recuar.** As peças de trabalho de grandes dimensões tendem a abater sob o seu próprio peso. Os suportes devem ser colocados debaixo da peça de trabalho em ambos os lados da roda, perto da linha de corte e perto da margem da extremidade da peça de trabalho.
- f) **Utilize um cuidado adicional quando fizer um "corte a fundo" em paredes existentes ou outras zonas cegas.** A roda saliente pode cortar canos de gás e água, fios eléctricos ou objectos que podem causar um recuo.
21. **Avisos de Segurança Específicos para Operações de Lixar:**
- a) **Não usar lixas excessivamente grandes. Siga as recomendações do fabricante, quando escolher a lixa.** Lixas maiores que o apoio de lixar representam um perigo de laceração e podem causar movimentos bruscos, destruição do disco ou recuo.
22. **Avisos Específicos para Operações de Escovar com Arames:**
- a) **Tenha consciência de que fragmentos de arame são atirados pela escova, mesmo durante as operações normais. Não esforce os arames ao aplicar carga excessiva na escova.** Os fragmentos dos arames podem facilmente penetrar na roupa leve e/ou pele.
- b) **Se o uso de protecção é recomendado para escovar arames, não permita interferência da roda de arame ou escova com a protecção.** Roda ou escova de arame pode expandir em diâmetro devido à carga de trabalho e forças centrífugas.
23. **Quando utilizar as rodas de lixar centrais com reentrância, certifique-se de que utiliza apenas rodas reforçadas com fibra de vidro.**
24. **Não danifique o veio, a flange (especialmente a superfície de instalação) ou a porca de bloqueio. Os danos nestas peças podem resultar em quebra das rodas.**
25. **Certifique-se de que a roda não está em contacto com a peça de trabalho antes de ligar o interruptor.**
26. **Antes de utilizar a ferramenta numa peça de trabalho, deixe-a a trabalhar durante algum tempo. Procure a existência de vibrações ou oscilações que possam indicar uma má fixação ou uma roda mal equilibrada.**
27. **Utilize a superfície especificada da roda para afiar.**
28. **Tenha cuidado com as faíscas. Segure a ferramenta de forma a que as faíscas sejam projectadas para longe de si e de outras pessoas ou materiais inflamáveis.**
29. **Não abandone a ferramenta a funcionar. Ponha-a a funcionar apenas quando estiver a segurá-la.**
30. **Não toque na peça de trabalho logo após a operação, uma vez que pode estar demasiado quente e provocar queimaduras.**
31. **Certifique-se sempre de que a ferramenta está desligada ou a bateria removida, antes de efectuar qualquer operação com acessórios.**
32. **Cumpra as instruções do fabricante sobre a instalação e utilização correctas das rodas. Manuseie e guarde as rodas com cuidado.**
33. **Não utilize casquilhos de redução separados ou adaptadores para adaptar rodas abrasivas com orifícios de grandes dimensões.**
34. **Utilize apenas as flanges especificadas para esta ferramenta.**
35. **Para ferramentas que sejam instaladas com a roda de orifício roscado, certifique-se de que a rosca na roda é suficientemente longa para aceitar o comprimento do fuso.**



36. Verifique se a peça de trabalho está bem suportada.
37. Tenha cuidado com as faíscas. Segure a ferramenta de forma a que as faíscas sejam projectadas para longe de si e de outras pessoas ou materiais inflamáveis.
38. Tome atenção uma vez que a roda continua a rodar após a ferramenta ser desligada.
39. Se o local de trabalho for extremamente quente e húmido ou muito poluído pelo pó, utilize um disjuntor (30 mA) para garantir a segurança do operador.
40. Não utilize a ferramenta ou quaisquer materiais que contenham amianto.
41. Não utilize água ou lubrificante para afiar.
42. Certifique-se de que as aberturas de ventilação são mantidas limpas quando trabalhar em condições de muito pó. Se for necessário limpar primeiro o pó, desligue primeiro a ferramenta da fonte de alimentação (utilize objectos não metálicos) e evite danificar as peças internas.
43. Quando utilizar a roda de corte, trabalhe sempre com a protecção da roda de recolha de pó exigida pelas normas nacionais.
44. Os discos de corte não devem ser sujeitos a qualquer pressão lateral.

#### AVISO:

A UTILIZAÇÃO INCORRECTA ou o não cumprimento das regras de segurança fornecidas neste manual de instruções podem provocar ferimentos graves.

## GUARDE ESTAS INSTRUÇÕES.

## DESCRIÇÃO DO FUNCIONAMENTO

#### PRECAUÇÃO:

- Certifique-se sempre de que a ferramenta está desligada no interruptor e da tomada antes de proceder a ajustes ou testes à mesma.

#### Bloqueio do veio (Fig. 1)

#### PRECAUÇÃO:

- Nunca accione o bloqueio do veio quando o fuso estiver em movimento. Pode avariar a ferramenta.
- Prima o bloqueio do veio para evitar a rotação do fuso quando instalar ou remover acessórios.

#### Acção do interruptor (Fig. 2)

#### PRECAUÇÃO:

- Antes de ligar a ferramenta, verifique sempre se o interruptor deslizante está a funcionar correctamente e se volta à posição "OFF" (desligada) quando é premida a parte de trás do interruptor deslizante.

Para ligar a ferramenta, mova o interruptor deslizante para "I" (ligada). Para um funcionamento contínuo, prima a parte frontal do interruptor deslizante para o bloquear.

Para desligar a ferramenta, prima a parte de trás do interruptor deslizante, depois mova-o para a posição "O" (desligada).

## Luz indicadora

Para modelos 9561CVR, 9562CVR, 9564CVR, 9565CVR (Fig. 3)

Para modelos 9561CR, 9562CR, 9564CR, 9565CR (Fig. 4)

A luz indicadora acende-se a verde quando a ferramenta é ligada à tomada. Se a luz indicadora não se acender, o cabo de alimentação ou o controlador podem estar avariados. Se a luz indicadora se acender mas a ferramenta não se iniciar, mesmo que a ferramenta seja ligada, as escovas de carvão poderão estar gastas ou o controlador, o motor ou o interruptor podem estar avariados.

## Protecção contra arranque acidental

A ferramenta não liga com o interruptor bloqueado mesmo quando está ligada à alimentação.

Nesta altura, a luz indicadora pisca a vermelho, indicando que está activada a função de dispositivo protegido contra arranque acidental.

Para cancelar a protecção contra arranque acidental, coloque o interruptor deslizante na posição "O" (desligada), de seguida, solte-o.

## Manípulo de regulação da velocidade

Para 9561CVR, 9562CVR, 9564CVR, 9565CVR (Fig. 5)

A velocidade de rotação pode ser alterada ao rodar o manípulo de regulação da velocidade para uma determinada definição de número de 1 a 5.

É obtida uma velocidade mais elevada quando o manípulo é rodado na direcção do número 5. É obtida uma velocidade mais baixa quando é rodado na direcção do número 1.

Consulte a tabela abaixo para conhecer a relação entre as definições de números no selector e a velocidade de rotação aproximada.

Número	min <sup>-1</sup> (R.P.M.)
1	2.800
2	4.000
3	6.500
4	9.000
5	11.000

#### PRECAUÇÃO:

- Se a ferramenta fica em funcionamento contínuo a velocidades baixas por muito tempo, o motor fica sobrecarregado e aquecido.
- O manípulo de regulação da velocidade apenas pode ser rodado até 5 ou 1. Não o force para lá de 5 ou 1, caso contrário a função de regulação da velocidade poderá deixar de funcionar.

As ferramentas equipadas com funções electrónicas são fáceis de utilizar devido às seguintes funcionalidades.

- Controlo de velocidade constante electrónico  
É possível obter um acabamento fino, uma vez que a velocidade de rotação é mantida constante, mesmo em condições de carga.
- Funcionalidade de arranque suave  
Arranque suave devido à eliminação do choque de arranque.
- Protector de sobrecarga  
Quando a carga da ferramenta excede os níveis permitidos, a alimentação para o motor é reduzida para proteger o motor contra o sobreaquecimento. Assim que a carga retomar os níveis permitidos, a ferramenta funcionará de modo normal.

## MONTAGEM

### PRECAUÇÃO:

- Certifique-se sempre de que a ferramenta está desligada no interruptor e da tomada antes de efectuar qualquer trabalho na mesma.

### Instalar a pega lateral (Fig. 6)

#### PRECAUÇÃO:

- Certifique-se sempre de que a pega lateral está bem instalada antes de utilizar a ferramenta.

Aparafuse bem a pega lateral em posição na ferramenta, tal como indicado na ilustração.

### Instalar ou remover a protecção da roda

**Para ferramentas com protecção da roda do tipo parafuso de bloqueio (Fig. 7)**

#### PRECAUÇÃO:

- A protecção da roda deve ser instalada na ferramenta, de forma a que o lado fechado da protecção aponte sempre na direcção do operador.

Instale a protecção da roda com a saliência na banda da protecção da roda alinhada com o entalhe na caixa de rolamentos. De seguida, rode a protecção da roda em 180 graus no sentido contrário ao dos ponteiros do relógio. Certifique-se de que aperta bem o parafuso. Para remover a protecção da roda, siga o procedimento inverso da instalação.

**Para ferramentas com protecção da roda do tipo alavanca do grampo (Fig. 8 e 9)**

Puxe a alavanca na direcção da seta depois de desapertar o parafuso. Instale a protecção da roda com a saliência na banda da protecção da roda alinhada com o entalhe na caixa de rolamentos. De seguida, rode a protecção da roda 180°.

Aperte-a com o parafuso depois de puxar a alavanca na direcção da seta para o objectivo de trabalho. O ângulo definido da protecção da roda pode ser regulado com a alavanca.

Para remover a protecção da roda, siga o procedimento inverso da instalação.

### Instalar ou remover a roda de afiar central com reentrância/multi-disco (acessórios) (Fig. 10)

Instale a flange interior no fuso. Instale a roda/disco na flange interior e aparafuse a porca de bloqueio no fuso. Para apertar a porca de bloqueio, prima o bloqueio do veio firmemente, para evitar que o fuso rode, e utilize a chave da porca de bloqueio para a apertar com segurança no sentido dos ponteiros do relógio. (Fig. 11)

Para remover a roda, siga o procedimento inverso de instalação.

### Instalar ou retirar a roda diamantada (acessório opcional)

#### PRECAUÇÃO:

- Certifique-se de que a seta na ferramenta fica posicionada na mesma direcção que a seta da roda diamantada. (Fig. 12)

Instale a flange interior no fuso. Instale a roda diamantada na flange interior e aparafuse a porca de bloqueio no fuso. Tenha em atenção que o lado plano da porca de bloqueio deve ficar voltado para a roda diamantada, se esta for utilizada.

### Instalar ou retirar o acessório tampa de pó (Acessório opcional)

#### AVISO:

- Certifique-se sempre de que a ferramenta está desligada e com a ficha desligada da tomada antes de instalar ou remover o acessório tampa de pó. Se não fizer isto pode causar danos na ferramenta ou ferimentos pessoais.

Existem três tipos de acessórios de tampas de pó e cada um é utilizada em posições diferentes. (Fig. 13 - 15)  
Coloque o acessório tampa de pó de modo a que a parte lateral com a marca (A, B ou C) esteja virada para a cabeça da ferramenta. Encaixar os pinos do acessório tampa de pó na ventilação. (Fig. 16)

O acessório tampa de pó pode ser retirado à mão.

#### NOTA:

- Limpe o acessório tampa de pó quando está entupido com pó ou substâncias estranhas. Um funcionamento contínuo com um acessório tampa de pó obstruído irá danificar a ferramenta.

## FUNCIONAMENTO

#### AVISO:

- Nunca deverá ser necessário forçar a ferramenta. O peso da ferramenta aplica pressão adequada. Forçar e pressão excessiva poderão ser perigosos e quebrar a roda.
- Substitua SEMPRE a roda se deixar cair a ferramenta enquanto afia.
- NUNCA atire ou embata com o disco de afiar ou roda na peça de trabalho.
- Evite fazer ressaltar e movimentar bruscamente a roda, especialmente quando estiver a trabalhar cantos,

extremidades afiadas, etc. Isto pode provocar a perda de controlo e ressaltos.

- NUNCA utilize a ferramenta com lâminas de cortar madeira e outras lâminas de serra. Tais lâminas, quando utilizadas numa afiadora, provocam com frequência ressaltos e perda de controlo, que podem provocar ferimentos pessoais.

#### **PRECAUÇÃO:**

- Após a utilização, desligue sempre a ferramenta e aguarde até que a roda pare completamente antes de pousar a ferramenta.

### **Operações de afiar e lixar**

Segure SEMPRE firmemente a ferramenta colocando uma mão sobre o respectivo corpo e a outra na pega lateral. Ligue a ferramenta e coloque a roda ou disco sobre a peça de trabalho.

De maneira geral, mantenha a extremidade da roda ou disco a um ângulo de cerca de 15 graus da superfície da peça de trabalho.

Durante o período de rodagem de uma nova roda, não coloque a afiadora a funcionar na direcção B ou esta cortará a peça de trabalho. Quando a extremidade da roda ficar arredondada pelo uso, a roda pode ser trabalhada nas direcções A e B. (Fig. 17)

### **Funcionamento com roda diamantada (acessório)**

#### **AVISO:**

- Forçar e exercer pressão excessiva ou permitir que a roda dobre, emperre ou retorça no corte pode resultar no sobreaquecimento do motor e em ressaltos perigosos da ferramenta.

#### **PRECAUÇÃO:**

- Depois da operação de corte, certifique-se de que a roda diamantada pára de rodar completamente. Depois, pouse a ferramenta. É perigoso pousar a ferramenta antes de a desligar. A ferramenta pode sugar poeira ou sujidade que exista à sua volta. Certifique-se de que a roda não entra em contacto com a peça de trabalho. Ligue e segure firmemente a ferramenta. Aguarde até que a roda atinja a velocidade máxima. Agora, basta mover a ferramenta para a frente sobre a superfície da peça de trabalho, mantendo-a nivelada e avançando suavemente até que termine de cortar.

## **MANUTENÇÃO**

#### **PRECAUÇÃO:**

- Certifique-se sempre de que a ferramenta está desligada no interruptor e da tomada antes de inspeccionar ou fazer a manutenção da ferramenta. (Fig. 18)

A ferramenta e as respectivas aberturas de ventilação devem ser mantidas limpas.

Limpe regularmente as aberturas de ventilação da ferramenta ou sempre que estas fiquem obstruídas.

Para manter os níveis de SEGURANÇA e FIABILIDADE, as reparações, inspecção e substituição das escovas de

carvão e outras operações de manutenção ou ajuste devem ser executadas por centros de assistência Makita autorizados e, no caso de substituição de peças, estas devem ser igualmente peças originais Makita.

## **ACESSÓRIOS**

#### **PRECAUÇÃO:**

- Os seguintes acessórios ou extensões são os recomendados para utilizar com a ferramenta Makita especificada neste manual. A utilização de outros acessórios ou extensões pode provocar ferimentos. Utilize cada acessório ou extensão apenas para o fim indicado.

Se precisar de informações adicionais relativas aos acessórios, contacte o centro local de assistência Makita.

- Protecção da roda (tampa da roda)
- Flange interior
- Rodas centrais com reentrância
- Porca de bloqueio (para a roda central com reentrância)
- Almofada de borracha
- Discos abrasivos
- Porca de bloqueio (para disco abrasivo)
- Chave da porca de bloqueio
- Escova de tampa de arame
- Escova cónica de arame 85
- Pega lateral
- Roda diamantada
- Protecção da roda de recolha de pó

**Para modelo 9561CR, 9561CVR, 9562CR, 9562CVR****Apenas para os países europeus****Ruído** ENG101-1

Os níveis acústicos ponderados A típicos foram determinados segundo a EN60745-2-3:

Nível de pressão sonora ( $L_{pA}$ ): 83 dB (A)

Imprecisão (K): 3 dB (A)

O nível de ruído quando em funcionamento pode exceder os 85 dB (A).

**Use protecção para os ouvidos.****Vibração** ENG208-2

O valor total da vibração (soma triaxial de vectores) foi determinado segundo a EN60745-2-3:

Modo de trabalho: afiar à superfície

Emissão de vibração ( $a_{h,AG}$ ): 8,5 m/s<sup>2</sup>

Imprecisão (K): 1,5 m/s<sup>2</sup>

Efectuar cortes ou escovagem com arame podem ter valores diferentes de emissão de vibrações.

**Para modelo 9564CR, 9564CVR****Apenas para os países europeus****Ruído** ENG101-1

Os níveis acústicos ponderados A típicos foram determinados segundo a EN60745-2-3:

Nível de pressão sonora ( $L_{pA}$ ): 83 dB (A)

Imprecisão (K): 3 dB (A)

O nível de ruído quando em funcionamento pode exceder os 85 dB (A).

**Use protecção para os ouvidos.****Vibração** ENG208-2

O valor total da vibração (soma triaxial de vectores) foi determinado segundo a EN60745-2-3:

Modo de trabalho: afiar à superfície

Emissão de vibração ( $a_{h,AG}$ ): 8,0 m/s<sup>2</sup>

Imprecisão (K): 1,5 m/s<sup>2</sup>

Efectuar cortes ou escovagem com arame podem ter valores diferentes de emissão de vibrações.

**Para modelo 9565CR, 9565CVR****Apenas para os países europeus****Ruído** ENG101-1

Os níveis acústicos ponderados A típicos foram determinados segundo a EN60745-2-3:

Nível de pressão sonora ( $L_{pA}$ ): 82 dB (A)

Imprecisão (K): 3 dB (A)

O nível de ruído quando em funcionamento pode exceder os 85 dB (A).

**Use protecção para os ouvidos.****Vibração** ENG208-2

O valor total da vibração (soma triaxial de vectores) foi determinado segundo a EN60745-2-3:

Modo de trabalho: afiar à superfície

Emissão de vibração ( $a_{h,AG}$ ): 8,0 m/s<sup>2</sup>

Imprecisão (K): 1,5 m/s<sup>2</sup>

Efectuar cortes ou escovagem com arame podem ter valores diferentes de emissão de vibrações.

**EC-DECLARAÇÃO DE CONFORMIDADE** ENH001-8**9561CR, 9561CVR, 9562CR, 9562CVR, 9564CR, 9564CVR, 9565CR, 9565CVR**

Declaramos, sob a nossa única responsabilidade, que este produto está em conformidade com as seguintes normas de documentos normalizados; EN50144, EN55014, EN61000 em conformidade com as Directivas do Conselho, 2004/108/EC, 98/37/EC.

**CE 2008**

Tomoyasu Kato  
Administrador

Fabricante responsável:

**Makita Corporation**

3-11-8, Sumiyoshi-cho, Anjo, Aichi, JAPÃO

Representante autorizado na Europa:

**Makita International Europe Ltd.**

Michigan Drive, Tongwell, Milton Keynes, Bucks MK15 8JD, INGLATERRA

**Forklaring til generel oversigt**

- |   |                                     |                        |
|---|-------------------------------------|------------------------|
| 1. Skaftflås  | 8. Skrue                            | 16. Markering A        |
| 2. Glidekontakt                                       | 9. Håndtag                          | 17. Markering B        |
| 3. Indikatorlampe (drejeknap til hastighedsjustering) | 10. Sikringsmøtrik                  | 18. Markering C        |
| 4. Indikatorlampe                                     | 11. Forsænket centerskive/Multidisk | 19. Stift              |
| 5. Drejeknap til hastighedsjustering                  | 12. Indvendig flange                | 20. Ventilationsåbning |
| 6. Beskyttelsesskærm                                  | 13. Skruenøgle til sikringsmøtrik   | 21. Udstødningsåbning  |
| 7. Kuglelejeboks                                      | 14. Diamantskive                    | 22. Indsugningsåbning  |
|   | 15. Spindel                         |                        |

**SPECIFIKATIONER**

Diameter af forsænket centerskive Spindeltråd	115 mm M14	9561CR	9564CR	9561CVR	9564CVR
	125 mm M14	9562CR	9565CR	9562CVR	9565CVR
Nominal hastighed (n) / hastighed uden belastning (n <sub>0</sub> )		11.000 (min <sup>-1</sup> )	11.000 (min <sup>-1</sup> )	2.800 - 11.000 (min <sup>-1</sup> )	2.800 - 11.000 (min <sup>-1</sup> )
Længde i alt		289 mm	299 mm	289 mm	299 mm
Nettovægt		1,8 kg	1,8 kg	1,8 kg	1,8 kg
Sikkerhedsklasse		II/III			

- På grund af vores løbende forsknings- og udviklingsprogram kan specifikationerne heri ændres uden forudgående varsel.
- Bemærk: Specifikationerne kan variere fra land til land.

**Symboler**

END202-4

Følgende viser de symboler, der benyttes til udstyret. Vær sikker på, at du forstår deres betydning, før du bruger værktøjet.



..... Læs brugsanvisningen.



..... DOBBELT ISOLERET



..... Bær beskyttelsesbriller.

**Tilsigtet brug**

ENE048-1

Værktøjet er beregnet til afslibning, sandslibning og skæring i metal- og stenmaterialer uden brug af vand.

**Strømforsyning**

ENF002-1

Værktøjet bør kun slutes til en strømforsyning med den spænding, der er angivet på navnepladen, og det kan kun benyttes med enkeltfasad vekselstrøm. Det er dobbelt isoleret i overensstemmelse med europæisk standard og kan derfor også slutes til stikkontakter uden jordforbindelse.

**SPECIFIKKE SIKKERHEDSREGLER**

GEB033-1

**LAD IKKE tryghed eller kendskab til produktet (på grund af gentagen brug) betyde, at du ikke strengt overholder sikkerhedsreglerne for værktøjet. Hvis værktøjet anvendes på usikker eller forkert vis, kan du komme alvorligt til skade.**

- 1. Fælles sikkerhedsadvarsler for afslibning, sandslibning, trådbørstning og vinkelslibning:**
- 2. Denne maskine er beregnet til brug som afsliber, sandsliber, trådbørste eller vinkelsliber. Læs alle sikkerhedsadvarsler, instruktioner, illustrationer og specifikationer, der følger med maskinen.** Hvis du ikke følger alle instruktionerne nedenfor, kan det medføre elektrisk stød, brand og/eller alvorlig personskade.
- 3. Det anbefales ikke at benytte maskinen til formål som f.eks. polering.** Anvendelser, som maskinen ikke er beregnet til, kan udgøre en risiko og medføre personskade.
- 4. Undlad at benytte tilbehør, som ikke er specielt udviklet og anbefalet af producenten af værktøjet.** Selvom tilbehøret kan monteres på maskinen, er anvendelsen ikke nødvendigvis sikker.
- 5. Tilbehørets nominelle hastighed skal være mindst lig med den maksimale hastighed, der er angivet på maskinen.** Tilbehør, der kører hurtigere end dets nominelle hastighed, kan gå i stykker og blive slynget bort.
- 6. Tilbehørets udvendige diameter og tykkelse skal overholde maskinens kapacitet.** Tilbehør med forkert størrelse kan ikke fastgøres eller kontrolleres korrekt.
- 7. Akselstørrelsen for skiver, flanger, bagpolstringer og andet tilbehør skal passe til spindlen på maskinen.** Tilbehør med akselhuller, der ikke passer til monteringsudstyret på maskinen, vil komme ud af balance, vibrere voldsomt og kan medføre, at du mister kontrollen.
- 8. Undlad brug af beskadiget tilbehør. Kontroller tilbehør som f.eks. slibeskiver, hver gang de**

bruges, for flænger og revner, bagpolstringer for revner, nedslidning eller kraftigt slid, trådbørster for løse eller knækkede tråde. Hvis du taber maskinen eller tilbehøret, skal du se efter for beskadigelser eller montere ubeskadiget tilbehør. Efter kontrol og montering af tilbehør skal du placere dig selv og tilskuere væk fra tilbehørets drejningsplan og lade maskinen køre ved maksimal hastighed uden belastning i et minut. Beskadiget tilbehør vil normalt gå i stykker inden for denne testperiode.

9. **Bær personligt sikkerhedsudstyr. Afhængigt af anvendelsen skal du bære ansigtsskærm, beskyttelsesbriller eller sikkerhedsbriller. Bær om nødvendigt støvmaske, høreværn, handsker og arbejdsforklæde, der kan stoppe små slibningsstykker eller stumper af arbejdsemnet.** Øjenbeskyttelsen skal kunne stoppe flyvende stumper, der frembringes ved forskellige betjening. Støvmasken eller åndedrætsbeskyttelsen skal kunne filtrere partikler, der frembringes ved anvendelsen. Længerevarende udsættelse for kraftig støj kan medføre høreskader.
10. **Hold andre tilstedeværende på sikker afstand af arbejdsområdet. Alle, der kommer ind i arbejdsområdet, skal bære personligt sikkerhedsudstyr.** Dele af arbejdsemnet eller ødelagt tilbehør kan flyve væk og medføre personskade uden for det umiddelbare anvendelsesområde.
11. **Hold kun maskinen i de isolerede gribeflader, når du udfører arbejde, hvor skæretilbehøret kan komme i kontakt med skjulte ledninger eller værktøjets egen ledning.** Hvis det slibende tilbehør kommer i kontakt med en strømførende ledning, kan udsatte metaldele på maskinen blive strømførende, hvorved operatøren kan få elektrisk stød.
12. **Placer ledningen på afstand af roterende tilbehør.** Hvis du mister kontrollen, kan ledningen blive skåret over eller beskadiget, og din hånd eller arm kan blive trukket ind i det roterende tilbehør.
13. **Læg aldrig maskinen fra dig, før tilbehøret er stoppet helt.** Det roterende tilbehør kan gribe fat i overfladen og trække i maskinen, så du mister kontrollen.
14. **Lad ikke maskinen køre, mens du bærer den ved siden.** Hvis dit tøj kommer i kontakt med det roterende tilbehør, kan det gribe fat i tøjet og trække tilbehøret ind i kroppen på dig.
15. **Rengør regelmæssigt maskinens ventilationsåbninger.** Motorventilatoren trækker støvet ind i kabinettet, og koncentration af forstøvet metal kan medføre elektriske risici.
16. **Undlad at betjene maskinen i nærheden af brændbare materialer.** Gnister kan antænde disse materialer.
17. **Undlad at benytte tilbehør, der kræver flydende kølemidler.** Brug af vand eller andre flydende kølemidler kan medføre elektrisk stød eller chok.
18. **Tilbageslag og relaterede advarsler**  
Tilbageslag er en pludselig reaktion på, at en roterende skive, bagpolstring, børste eller andet

tilbehør sidder fast eller kommer i klemme. Hvis tilbehøret sidder fast eller kommer i klemme, går det roterende tilbehør pludselig i stå, hvorved den ikke-kontrollerede maskine tvinges i den modsatte retning af tilbehørets rotationsretning på det sted, hvor det sidder fast.

Hvis en slibeskive f.eks. kommer i klemme eller sidder fast på arbejdsemnet, kan den kant på skiven, der sidder ind i fastklemningspunktet, skære sig ind i emnets overflade, så skiven klatrer ud eller slås ud. Skiven kan enten springe mod eller bort fra operatøren, afhængigt af skivens bevægelse på det sted, hvor den sidder fast.

Slibeskiver kan også gå i stykker under disse forhold. Tilbageslag skyldes forkert brug af maskinen og/eller forkerte betjeningsprocedurer eller forhold og kan undgås ved at træffe de nødvendige forsigtighedsregler som beskrevet nedenfor.

- a) **Hold godt fast i maskinen, og placer kroppen og armen, så du kan modstå tilbageslag. Benyt altid det ekstra håndtag, hvis det er tilgængeligt, for at opnå størst mulig kontrol med tilbageslag eller drejningsreaktion ved start.** Operatøren kan kontrollere drejningsreaktioner eller tilbageslag, hvis der træffes de rette forholdsregler.
  - b) **Placer aldrig hånden i nærheden af roterende tilbehør.** Tilbehøret kan blive slået tilbage hen over hånden.
  - c) **Placer ikke dig selv i det område, hvor maskinen vil bevæge sig, hvis der opstår tilbageslag.** Ved tilbageslag bliver værktøjet slyngt i modsat retning af skivens bevægelse på det sted, hvor den sidder fast.
  - d) **Vær særligt forsigtig ved arbejde på hjørner, skarpe kanter osv. Undgå at støde og vride tilbehøret.** Hjørner, skarpe kanter og stød har tendens til at få det roterende tilbehør til at sidde fast og forårsage tab af kontrollen eller tilbageslag.
  - e) **Montér ikke en klinge til savning i træ eller en savklinge med tænder.** Sådanne klinger forårsager ofte tilbageslag og tab af kontrollen.
19. **Specifikke sikkerhedsadvarsler for afslibning og vinkelslibning:**
- a) **Anvend kun skivetyper, der anbefales til maskinen, og den specifikke beskyttelsesskærm, der er beregnet til den valgte skive.** Skiver, som maskinen ikke er beregnet til, kan ikke beskyttes ordentligt og er ikke sikre at bruge.
  - b) **Beskyttelsesskærmen skal sidde korrekt fast på maskinen og placeres med henblik på maksimal sikkerhed, så mindst muligt af skiven er blottet ud mod operatøren.** Beskyttelsesskærmen hjælper med at beskytte operatøren mod dele af brækkede skiver og kontakt med skiven ved et uheld.
  - c) **Skiver må kun benyttes til de anbefalede anvendelser. Eksempel: Undlad at bruge siden af en slibeskive til vinkelslibning.** Vinkelslibeskiver er beregnet til slibning i periferien. Hvis skiverne udsættes for kræfter fra siden, kan de gå i stykker.
  - d) **Anvend altid ubeskadigede skiveflanger af den korrekte størrelse og form til den valgte skive.** Korrekte skiveflanger understøtter skiven, så der er

- mindre risiko for, at den går i stykker. Flanger til vinkelslibeskiver kan være forskellige fra flanger til slibeskiver.
- e) **Undlad at benytte nedslidte skiver fra større maskiner.** Skiver, der er beregnet til større maskiner, er ikke beregnet til et mindre værktøjs større hastigheder og kan gå i stykker.
20. **Specifikke sikkerhedsadvarsler for vinkelslibning:**
- a) **Undlad at "låse" vinkelslibeskiven eller anvende unødigt pres. Undlad at skære for dybt.** Hvis skiven overbelastes, forøges belastningen og risikoen for at bøje skiven, eller at den sidder fast i snittet, hvilket øger risikoen for tilbageslag, eller at skiven går i stykker.
- b) **Undlad at placere dig selv på linje med og bagved den roterende skive.** Når skiven på anvendelsesstedet bevæger sig bort fra dig selv, vil et eventuelt tilbageslag slynge den roterende skive og maskinen direkte tilbage mod dig selv.
- c) **Hvis skiven sidder fast, eller hvis du af en eller anden grund afbryder et snit, skal du slukke for maskinen og holde den stille, indtil skiven er stoppet helt. Forsøg aldrig at fjerne vinkelslibeskiven fra snittet, mens skiven bevæger sig, da dette kan forårsage tilbageslag.** Se efter og tag modforholdsregler imod årsager til, at skiven binder.
- d) **Start ikke snittet igen i arbejdsemnet. Lad skiven nå fuld hastighed, og sæt den forsigtigt tilbage i snittet.** Skiven kan binde, springe op eller forårsage tilbageslag, hvis maskinen genstartes i arbejdsemnet.
- e) **Støt paneler eller store arbejdsemner for at reducere risikoen for, at skiven binder og forårsager tilbageslag.** Store arbejdsemner har tendens til at bøjes under deres egen vægt. Der skal placeres støtter under arbejdsemnet i nærheden af skæringslinjen og nær arbejdsemnets kanter på begge sider af skiven.
- f) **Vær ekstra forsigtig, når du foretager et "lommensnit" i eksisterende vægge eller andre områder, du ikke kan se.** Den fremstikkende skive kan skære i gas- eller vandrør, elektriske kabler eller genstande, der kan forårsage tilbageslag.
21. **Specifikke sikkerhedsadvarsler for sandslibning:**
- a) **Anvend ikke for stort sandpapir. Følg producentens anbefalinger ved valg af sandpapir.** Større sandpapir, der stikker ud over sandpladen, kan skære i personer og sidde fast, blive revet af disken eller forårsage tilbageslag.
22. **Specifikke sikkerhedsadvarsler for trådbørstning:**
- a) **Vær opmærksom på, at tråde kan blive slynget af børsten selv ved normal betjening. Overbelast ikke trådene ved at belaste børsten for hårdt.** Trådene kan nemt gennemtrænge let beklædning og/eller huden.
- b) **Hvis brug af en beskyttelseskærm anbefales til trådbørstning, må du ikke lade trådslibeskiven eller børsten støde mod skærmen.** Diameteren af trådslibeskiven eller børsten kan blive større på grund af arbejdsbelastning eller centrifugalkræfter.
23. **Ved brug af forsøkkede centerslibeskiver må du kun benytte fiberglasforstærkede skiver.**
24. **Vær forsigtig med ikke at beskadige spindelen, flangen (især monteringsområdet) eller sikringsmøtrikken.** Beskadigelse af disse dele kan medføre beskadigelse af skiven.
25. **Sørg for, at skiven ikke har kontakt med arbejdsemnet, før der tændes på kontakten.**
26. **Lad værktøjet køre et stykke tid, før det benyttes på et arbejdsemne.** Hold øje med vibrationer eller slinger, der kan være tegn på en dårlig montering eller en dårligt afbalanceret skive.
27. **Anvend den tilsigtede overflade på skiven til at udføre slibningen.**
28. **Vær opmærksom på gnistregn. Hold værktøjet, så gnisterne flyver væk fra dig selv og andre personer eller fra brændbare materialer.**
29. **Gå ikke fra værktøjet, mens det kører. Lad kun værktøjet køre, mens du holder det i hænderne.**
30. **Berør ikke arbejdsemnet umiddelbart efter arbejdet.** Det kan være meget varmt og forårsage forbrændinger af huden.
31. **Sørg altid for, at værktøjet er slukket og taget ud af stikkontakten, før du udfører nogen form for arbejde på værktøjet.**
32. **Overhold producentens instruktioner for korrekt montering og brug af skiver.** Vær omhyggelig med håndtering og opbevaring af skiverne.
33. **Anvend ikke separate reduktionsbøsninger eller adaptore til tilpasning af slibeskiver med store huller.**
34. **Brug kun flanger, der er beregnet til værktøjet.**
35. **For værktøjer, der er beregnet til brug med skiver med trådede hjul, skal du sikre dig, at tråden i skiven er tilstrækkeligt lang til at modsvare længden af spindelen.**
36. **Kontroller, at arbejdsemnet er korrekt understøttet.**
37. **Vær opmærksom på gnistregn. Hold værktøjet, så gnisterne flyver væk fra dig selv og andre personer eller fra brændbare materialer.**
38. **Vær opmærksom på, at skiven fortsætter med at rotere, efter at der slukkes for værktøjet.**
39. **Hvis arbejdspladsen er meget varm og fugtig, eller hvis den er kraftigt forurenset af ledende støv, skal du bruge en kortslutningsafbryder (30 mA) til at beskytte operatøren.**
40. **Anvend ikke værktøjet på materialer, der indeholder asbest.**
41. **Anvend ikke vand eller slibemøremiddel.**
42. **Sørg for, at ventilationsåbningerne forbliver frie, når der arbejdes under støvede forhold.** Hvis det er nødvendigt at fjerne støv, skal værktøjet først kobles fra strømforsyningen (ved hjælp af ikke-metalliske genstande). Undgå at beskadige de interne dele.
43. **Ved brug af vinkelslibeskive skal du altid benytte den beskyttelseskærm til støvopsamling, som den lokale lovgivning foreskriver.**
44. **Slibeskiver må ikke udsættes for tryk fra siden.**

## ADVARSEL:

**MISBRUG eller manglende overholdelse af sikkerhedsreglerne i denne brugsanvisning kan medføre alvorlig personskade.**

## GEM DISSE INSTRUKTIONER.

## FUNKTIONSBESKRIVELSE

### FORSIGTIG:

- Sørg altid for, at værktøjet er slukket, og at stikket er taget ud af stikkontakten, før du justerer værktøjet eller kontrollerer dets funktion.

### Skaftlås (Fig. 1)

#### FORSIGTIG:

- Udløs aldrig skaftlåsen, mens spindelen bevæger sig. Dette kan beskadige værktøjet.

Tryk på skaftlåsen for at forhindre, at spindelen roterer, mens du monterer eller afmonterer tilbehør.

### Betjening af kontakt (Fig. 2)

#### FORSIGTIG:

- Før værktøjet sættes til, skal du altid kontrollere, at glidekontakten reagerer korrekt og vender tilbage i stillingen "OFF", når der trykkes bag på glidekontakten.

For at starte værktøjet skal du skubbe glidekontakten til I (ON) stillingen. For kontinuerlig drift skal du trykke foran på glidekontakten for at låse den.

Når du vil stoppe værktøjet, skal du trykke bag på glidekontakten og derefter trykke den mod stillingen "O (OFF)".

### Indikatorlampe

For modellerne 9561CVR, 9562CVR, 9564CVR, 9565CVR (Fig. 3)

For modellerne 9561CR, 9562CR, 9564CR, 9565CR (Fig. 4)

Indikatorlampen lyser grønt, når værktøjet er sat i stikkontakten. Hvis indikatorlampen ikke tændes, er netledningen eller kontrollen muligvis defekte. Hvis indikatorlampen lyser, men værktøjet ikke starter, selvom der er tændt for værktøjet, er kulbørsterne muligvis slidt ned, eller motoren eller kontakten kan være defekte.

### Sikring mod genstart ved et uheld

Værktøjet starter ikke, når kontakten er låst, selvom værktøjet tilsluttet stikkontakten.

I dette tilfælde blinker indikationslampen rødt for at vise, at sikringen mod genstart ved et uheld er sat i funktion. For at annullere sikringen mod genstart ved et uheld skal du sætte glidekontakten tilbage til stillingen O (OFF) og derefter slippe den.

### Drejeknap til hastighedsjustering

For 9561CVR, 9562CVR, 9564CVR, 9565CVR (Fig. 5)

Omdrejningshastigheden kan ændres ved at dreje drejeknappen til hastighedsjustering hen på et fast nummerindstilling fra 1 til 5.

Der opnås en højere hastighed ved at dreje knappen mod tallet 5, og der opnås en lavere hastighed ved at dreje knappen mod tallet 1.

Se i tabellen nedenfor angående forholdet mellem nummerindstillingerne på drejeknappen og den omtrentlige omdrejningshastighed.

Antal	min <sup>-1</sup> (R.P.M.)
1	2.800
2	4.000
3	6.500
4	9.000
5	11.000

### FORSIGTIG:

- Hvis værktøjet anvendes i længere tid ved lav hastighed, overbelastes og overopvarmes motoren.
- Drejeknappen til hastighedsjustering kan kun drejes op til 5 og tilbage til 1. Prøv ikke at tvinge den forbi 5 eller 1, da hastighedsjusteringen ellers kan gå i stykker.

De værktøjer, som er forsynet med elektronisk funktionalitet er nemme at betjene, hvilket skyldes følgende funktioner.

- Elektronisk kontrol af konstant hastighed  
Det er muligt at få en pæn finish, fordi omdrejningshastigheden holdes konstant, også under belastning.
- Funktion til blød start  
Blød start, fordi startvibrationen dæmpes.
- Overbelastningsbeskyttelse  
Strømmen til motoren reduceres, hvis belastningen af værktøjet overskrider den tilladelige værdi, for at beskytte motoren mod overophedning. Når belastningen igen bliver tilladelig, fungerer værktøjet som normalt.

## MONTERING

### FORSIGTIG:

- Sørg altid for, at værktøjet er slukket og taget ud af stikkontakten, før du udfører nogen form for arbejde på værktøjet.

### Montering af sidegreb (håndtag) (Fig. 6)

#### FORSIGTIG:

- Sørg altid for, at sidegrebet er korrekt monteret før brugen.

Skru sidegrebene godt på plads på værktøjet som vist i figuren.

### Montering eller afmontering af beskyttelsesskærmen

For værktøjer med beskyttelsesskærm af låseskruetypen (Fig. 7)

#### FORSIGTIG:

- Beskyttelsesskærmen skal monteres på værktøjet, så skærmens lukkede side altid vender mod operatøren. Monter beskyttelsesskærmen, så fremspringet på båndet på skærmen er justeret med mærket på kuglelejevoksen.



Drej derefter beskyttelseskærmen 180 grader mod uret. Sørg for at stramme skruen godt. Følg fremgangsmåden til montering i omvendt rækkefølge for at afmontere beskyttelseskærmen.

#### **For værktøjer med beskyttelseskærm af klingefastholdertypen (Fig. 8 & 9)**

Træk håndtaget i pilens retning efter du har løsnet skruen. Monter beskyttelseskærmen, så fremspringet på båndet på skærmen er justeret med mærket på kuglelejeboksen. Drej derefter beskyttelseskærmen 180°. Fastgør det med skruen efter du trukket håndtaget i pilens retning til arbejdsformålet. Indstillingsvinklen på beskyttelseskærmen kan justeres med håndtaget. Følg fremgangsmåden til montering i omvendt rækkefølge for at afmontere beskyttelseskærmen.

#### **Montering eller afmontering af forsænket centerskive/multidisk (tilbehør) (Fig. 10)**

Monter den indvendige flange på spindelen. Monter skiven/disken på den indvendige flange, og skru sikringsmøtrikken på spindelen. For at stramme sikringsmøtrikken trykkes der fast på skaftlåsen, så spindelen ikke kan dreje rundt. Brug derefter skruenøglen til sikringsmøtrikken til at stramme godt mod uret. (Fig. 11) Følg fremgangsmåden til montering i omvendt rækkefølge for at afmontere skiven.

#### **Montering eller afmontering af diamantskive (fås som tilbehør)**

##### **FORSIGTIG:**

- Sørg for, at pilen på værktøjet peger i samme retning som pilen på diamantskiven. (Fig. 12)
- Monter den indvendige flange på spindelen. Monter diamantskiven på den indvendige flange, og skru sikringsmøtrikken på spindelen. Vær opmærksom på, at den flade side af sikringsmøtrikken skal vende mod diamantskiven, når diamantskiven anvendes.

#### **Montering eller afmontering af støvdæksel (fås som tilbehør)**

##### **ADVARSEL:**

- Sørg altid for, at værktøjet er slukket, og at stikket er taget ud af stikkontakten, før du monterer eller afmonterer støvdækslet. Hvis du ikke gør det, kan det beskadige værktøjet eller forårsage personskade.
- Der er tre typer støvdæksler, og hvert dæksel bruges i forskellige positioner. (Fig. 13 - 15)
- Placer støvdækslet sådan at den side af støvdækslet hvor markeringen (A, B eller C) er placeret vender mod værktøjs hovedet. Tryk støvdækslets stifter ind i ventilationsåbningen. (Fig. 16)
- Støvdækslet kan tages af ved hjælp håndkraft.

##### **BEMÆRK:**

- Rengør støvdækslet når det er tilstoppet med støv eller fremmedlegemer. Fortsat brug med et tilstoppet støvdæksel vil medføre skade på værktøjet.

## **BETJENING**

##### **ADVARSEL:**

- Det bør aldrig være nødvendigt at anvende magt på værktøjet. Værktøjets egen vægt sørger for det nødvendige tryk. Tvang og kraftigt tryk kan medføre farlig beskadigelse af skiven.
- Udskift ALTID skiven, hvis værktøjet tabes under slibning.
- Stød eller slå ALDRIG disken eller skiven mod arbejdsemnet.
- Undgå at støde og vride skiven, især ved arbejde på hjørner, skarpe kanter osv. Det kan medføre tab af kontrollen og tilbageslag.
- Anvend ALDRIG værktøjet med klinger til skæring i træ og andre savklinger. Ved brug på en vinkelsliber forårsager sådanne klinger ofte tilbageslag og tab af kontrollen, hvilket kan resultere i personskade.

##### **FORSIGTIG:**

- Efter brugen skal du altid slukke for værktøjet og vente, indtil skiven er stoppet helt, før du lægger værktøjet fra dig.

#### **Anvendelse til vinkelslibning og slibning**

Hold ALTID godt fast i værktøjet med den ene hånd på motorhuset og den anden hånd på sidehåndtaget. Tænd for værktøjet, og sæt derefter skiven eller disken mod arbejdsemnet.

Skiven eller disken skal som regel holdes i en vinkel på cirka 15 grader mod overfladen af arbejdsemnet. Under indkøring af en ny skive må sliberen ikke anvendes i retningen B, da den ellers vil skære ned i arbejdsemnet. Når kanten af skiven er blevet rundet af ved brug, kan skiven benyttes i både A- og B-retningen. (Fig. 17)

#### **Anvendelse med diamantskive (tilbehør)**

##### **ADVARSEL:**

- Hvis der anvendes tvang og kraftigt tryk, eller hvis skiven bøjes, kommer i klemme eller vrides i snittet, kan det medføre overophedning af motoren og farligt tilbageslag.

##### **FORSIGTIG:**

- Sørg for, at diamantskiven stopper helt efter skæringen. Læg derefter værktøjet fra dig. Det er farligt at lægge værktøjet fra dig, før du slukker for det. Hvis der er støv eller snavs omkring værktøjet, kan værktøjet suge det ind.

Sørg for, at skiven ikke berører arbejdsemnet. Tænd for værktøjet, og hold godt fast i det. Vent, til skiven når fuld hastighed. Flyt værktøjet fremad hen over arbejdsemnet, idet værktøjet holdes fladt og flyttes jævnt frem, indtil skæringen er færdig.

## **VEDLIGEHOLDELSE**

##### **FORSIGTIG:**

- Sørg altid for, at værktøjet er slukket, og at stikket er taget ud, før du udfører inspektion eller vedligeholdelse. (Fig. 18)

Værktøjet og ventilationsåbningerne skal holdes rene.

Rengør værktøjets ventilationsåbninger regelmæssigt, eller når åbningerne begynder at blive tilstoppede. For at holde produktet SIKKERT og PÅLIDELIGT skal reparationer, kontrol og udskiftning af kulbørsterne samt al anden vedligeholdelse eller justering udføres af autoriserede Makita-servicecentre, der altid benytter Makita-reservedele.

## TILBEHØR

### FORSIGTIG:

- Dette tilbehør eller ekstraudstyr anbefales til brug med det Makita-værktøj, som er beskrevet i denne brugsanvisning. Brug af andet tilbehør eller ekstraudstyr kan forårsage personskade. Brug kun tilbehør eller ekstraudstyr til det formål, det er beregnet til.

Henvend dig til dit lokale Makita-servicecenter, hvis du har brug for hjælp eller yderligere oplysninger vedrørende tilbehøret.

- Beskyttelsesskærm (Skivedæksel)
- Indvendig flange
- Forsænkede centerskiver
- Sikringsmøtrik (til forsænket centerskive)
- Gummimåtte
- Slibediske
- Sikringsmøtrik (til slibediske)
- Skrueøgle til sikringsmøtrik
- Trådbørste
- Trådbørste 85
- Sidegreb
- Diamantskive
- Beskyttelsesskærm til støvopsamling

### For model 9561CR, 9561CVR, 9562CR, 9562CVR

#### Kun for lande i Europa

**Støj** ENG101-1

Det typiske A-vægtede lydtrykniveau bestemt i overensstemmelse med EN60745-2-3:

Lydtrykniveau ( $L_{pA}$ ): 83 dB (A)

Usikkerhed (K): 3 dB (A)

Støjniveauet under arbejdet kan være større end 85 dB (A).

#### Bær høreværn.

### Vibration

ENG208-2

Den samlede vibrationsværdi (treaksiel vektorsum) bestemt i overensstemmelse med EN60745-2-3:

Arbejdstilstand: overfladeslibning

Vibrationsemission ( $a_{h,AG}$ ): 8,5 m/s<sup>2</sup>

Usikkerhed (K): 1,5 m/s<sup>2</sup>

Afskæring eller trådbørstning kan give forskellige værdier for vibrationsemissioner.

### For model 9564CR, 9564CVR

#### Kun for lande i Europa

**Støj** ENG101-1

Det typiske A-vægtede lydtrykniveau bestemt i overensstemmelse med EN60745-2-3:

Lydtrykniveau ( $L_{pA}$ ): 83 dB (A)

Usikkerhed (K): 3 dB (A)

Støjniveauet under arbejdet kan være større end 85 dB (A).

#### Bær høreværn.

### Vibration

ENG208-2

Den samlede vibrationsværdi (treaksiel vektorsum) bestemt i overensstemmelse med EN60745-2-3:

Arbejdstilstand: overfladeslibning

Vibrationsemission ( $a_{h,AG}$ ): 8,0 m/s<sup>2</sup>

Usikkerhed (K): 1,5 m/s<sup>2</sup>

Afskæring eller trådbørstning kan give forskellige værdier for vibrationsemissioner.

### For model 9565CR, 9565CVR

#### Kun for lande i Europa

**Støj** ENG101-1

Det typiske A-vægtede lydtrykniveau bestemt i overensstemmelse med EN60745-2-3:

Lydtrykniveau ( $L_{pA}$ ): 82 dB (A)

Usikkerhed (K): 3 dB (A)

Støjniveauet under arbejdet kan være større end 85 dB (A).

#### Bær høreværn.

### Vibration

ENG208-2

Den samlede vibrationsværdi (treaksiel vektorsum) bestemt i overensstemmelse med EN60745-2-3:

Arbejdstilstand: overfladeslibning

Vibrationsemission ( $a_{h,AG}$ ): 8,0 m/s<sup>2</sup>

Usikkerhed (K): 1,5 m/s<sup>2</sup>

Afskæring eller trådbørstning kan give forskellige værdier for vibrationsemissioner.

## EC-ERKLÆRING VEDRØRENDE OVERHOLDELSE AF STANDARDER

ENH001-8

**9561CR, 9561CVR, 9562CR, 9562CVR, 9564CR, 9564CVR, 9565CR, 9565CVR**

Vi erklærer og tager det fulde ansvar for, at produktet overholder følgende standarder i de standardiserede dokumenter:

EN50144, EN55014, EN61000 i overensstemmelse med Rådets direktiver 2004/108/EC, 98/37/EC.

**CE 2008**



Tomoyasu Kato  
Direktør

Ansvarlig producent:

**Makita Corporation**

3-11-8, Sumiyoshi-cho, Anjo, Aichi, JAPAN

Autoriseret repræsentant i Europa:

**Makita International Europe Ltd.**

Michigan Drive, Tongwell, Milton Keynes, Bucks MK15 8JD, ENGLAND

Γενική περιγραφή

- |   |  |                          |
|---|--|--------------------------|
| 1. Κλειδωμα άξονα                                   | 8. Βίδα  | 15. Ατρακτος             |
| 2. Κυλιόμενος διακόπτης                             | 9. Μοχλός  | 16. Σήμανση Α            |
| 3. Ενδεικτική λυχνία (επιλογέας ρύθμισης ταχύτητας) | 10. Παξιμάδι κλειδώματος                               | 17. Σήμανση Β            |
| 4. Ενδεικτική λυχνία                                | 11. Τροχός τροχίσματος χαμηλωμένου κέντρου/ Πολυδίσκος | 18. Σήμανση Γ            |
| 5. Επιλογέας ρύθμισης ταχύτητας                     | 12. Εσωτερική φλάντζα                                  | 19. Περόνη               |
| 6. Προστατευτικό τροχού                             | 13. Κλειδί κλειδώματος παξιμαδιού                      | 20. Άνοιγμα              |
| 7. Κιβώτιο ρουλεμάν                                 | 14. Τροχός διαμαντιού                                  | 21. Άνοιγμα εξόδου αέρα  |
|   |  | 22. Άνοιγμα εισόδου αέρα |

**ΠΡΟΔΙΑΓΡΑΦΕΣ**

Διάμετρος τροχού	115 mm M14	9561CR	9564CR	9561CVR	9564CVR
χαμηλωμένου κέντρου Σπείρωμα ατράκτου	125 mm M14	9562CR	9565CR	9562CVR	9565CVR
Ονομαστική ταχύτητα (n)/Ταχύτητα χωρίς φορτίο (N <sub>0</sub> )		11.000 (min <sup>-1</sup> )	11.000 (min <sup>-1</sup> )	2.800 - 11.000 (min <sup>-1</sup> )	2.800 - 11.000 (min <sup>-1</sup> )
Ολικό μήκος		289 mm	299 mm	289 mm	299 mm
Καθαρό βάρος		1,8 kg	1,8 kg	1,8 kg	1,8 kg
Τάξη ασφάλειας		II/II			

- Λόγω του συνεχόμενου προγράμματος που εφαρμόζουμε για έρευνα και ανάπτυξη, τα τεχνικά χαρακτηριστικά στο παρόν έντυπο υπόκεινται σε αλλαγή χωρίς προειδοποίηση.
- Σημειώστε: Τα τεχνικά χαρακτηριστικά ενδέχεται να διαφέρουν ανάλογα με τη χώρα.

**Σύμβολα**

Παρακάτω παρουσιάζονται τα σύμβολα που χρησιμοποιούνται για τον εξοπλισμό. Βεβαιωθείτε ότι κατανοείτε τη σημασία τους πριν από τη χρήση.



..... Διαβάστε το εγχειρίδιο οδηγιών.



..... ΔΙΠΛΗ ΜΟΝΩΣΗ



..... Να φοράτε γυαλιά προστασίας.

**Προοριζόμενη χρήση**

Το εργαλείο προορίζεται για τρόχισμα, λείανση και κοπή μεταλλικών και πέτρινων υλικών χωρίς τη χρήση νερού.

**Ηλεκτρική παροχή**

Το εργαλείο πρέπει να συνδέεται μόνο σε ηλεκτρική παροχή της ίδιας τάσης με αυτήν που αναγράφεται στην πινακίδα ονομαστικών τιμών και μπορεί να λειτουργήσει μόνο με εναλλασσόμενο μονοφασικό ρεύμα. Τα εργαλεία αυτά διαθέτουν διπλή μόνωση που συμμορφώνεται με τα ευρωπαϊκά πρότυπα και συνεπώς μπορούν να συνδεθούν με πρίζες χωρίς γείωση.

**ΕΙΔΙΚΟΙ ΚΑΝΟΝΕΣ ΑΣΦΑΛΕΙΑΣ**

ГЕВ033-1

**ΜΗΝ επιτρέψετε στη βολικότητα ή στην εξοικειωσή σας με το προϊόν (που αποκτήθηκε από επανειλημμένη χρήση) να αντικαταστήσει την αυστηρή προσήλωση στους κανόνες ασφάλειας του τροχού. Εάν χρησιμοποιήσετε αυτό το εργαλείο με**

**ανασφαλές ή λανθασμένο τρόπο, ενδέχεται να υποστείτε σοβαρό τραυματισμό.**

- 1. Προειδοποιήσεις ασφάλειας που συνηθίζονται για τρόχισμα, λείανση, χρήση συρματόβουρτσας ή λειαντικές εργασίες κοπής:**
- 2. Αυτό το ηλεκτρικό εργαλείο προορίζεται για να λειτουργεί ως εργαλείο τροχίσματος, λείανσης, συρματόβουρτσας ή κοπής. Διαβάστε όλες τις προειδοποιήσεις ασφάλειας, τις οδηγίες, τις εικόνες και τις προδιαγραφές που παρέχονται με αυτό το ηλεκτρικό εργαλείο. Αν δεν ακολουθήσετε όλες τις οδηγίες που παρατίθενται παρακάτω, υπάρχει κίνδυνος ηλεκτροπληξίας, πυρκαγιάς ή/και σοβαρού τραυματισμού.**
- 3. Δεν συνιστάται η πραγματοποίηση εργασιών όπως το γυάλισμα με αυτό το ηλεκτρικό εργαλείο. Αν χρησιμοποιηθεί το ηλεκτρικό εργαλείο για εργασίες για τις οποίες δεν έχει σχεδιαστεί, ενδεχομένως να προκληθεί κίνδυνος και προσωπικός τραυματισμός.**
- 4. Μη χρησιμοποιείτε εξαρτήματα που δεν είναι ειδικά σχεδιασμένα από τον κατασκευαστή του εργαλείου και τα οποία δεν συνιστά ο κατασκευαστής του εργαλείου. Αν και είναι δυνατό να προσαρτηθεί το εξάρτημα στο ηλεκτρικό εργαλείο σας, αυτό δεν σημαίνει ότι μπορεί να λειτουργεί με ασφάλεια.**
- 5. Η ονομαστική ταχύτητα του εξαρτήματος πρέπει να είναι τουλάχιστον ίση με τη μέγιστη ταχύτητα που αναγράφεται στο ηλεκτρικό εργαλείο. Τα εξαρτήματα που λειτουργούν με ταχύτητα υψηλότερη από την ονομαστική ταχύτητά τους μπορεί να σπασούν και να εκτιναχθούν τα μέρη τους.**

6. **Η εξωτερική διάμετρος και το πάχος του εξαρτήματος σας πρέπει να βρίσκονται εντός των δυνατοτήτων του ηλεκτρικού εργαλείου σας.** Τα εξαρτήματα με λανθασμένο μέγεθος δεν προστατεύονται ούτε ελέγχονται ικανοποιητικά.
7. **Το μέγεθος στερέωσης των τροχών, των φλαντζών, των βυσμάτων στήριξης ή οποιονδήποτε άλλων εξαρτημάτων πρέπει να ταιριάζει σωστά στην άτρακτο του ηλεκτρικού εργαλείου.** Τα εξαρτήματα με οπές στερέωσης που δεν ταιριάζουν με τον εξοπλισμό στερέωσης του ηλεκτρικού εργαλείου θα λειτουργούν ιδιόρρυθμα, προκαλώντας υπερβολικούς κραδασμούς και ενδεχομένως απώλεια ελέγχου.
8. **Μη χρησιμοποιείτε εξάρτηματα που έχουν υποστεί βλάβη.** Πριν από κάθε χρήση να ελέγχετε τα εξαρτήματα, για παράδειγμα, τους λειαντικούς τροχούς για θραύσματα και ραγίσματα, τα βύσματα στήριξης για ραγίσματα, σχισίματα ή υπερβολική φθορά, τη συρματοβούρτσα για χαλαρά ή ραγισμένα σύρματα. Αν το ηλεκτρικό εργαλείο ή ένα εξάρτημα πέσει κάτω, ελέγξτε για ζημιές ή εγκαταστήστε με ένα εξάρτημα που δεν έχει υποστεί βλάβη. Αφού ελέγξετε και εγκαταστήσετε το εξάρτημα, απομακρυνθείτε εσείς και οι παρευρισκόμενοι από το επίπεδο του περιστρεφόμενου εξαρτήματος και θέστε το ηλεκτρικό εργαλείο σε λειτουργία στη μέγιστη ταχύτητα χωρίς φορτίο για ένα λεπτό. Τα εξαρτήματα που έχουν υποστεί βλάβη, συνήθως σπάνε κατά τη διάρκεια αυτής της δοκιμής.
9. **Να φοράτε προσωπικό προστατευτικό εξοπλισμό. Ανάλογα με την εφαρμογή, να χρησιμοποιείτε προσωπίδα, προστατευτικά ματιών ή προστατευτικά γυαλιά. Αν είναι απαραίτητο, να φοράτε προσωπίδα κατά της σκόνης, ωτοασπίδες, γάντια και φόρμα συνεργείου που έχουν τη δυνατότητα να σταματούν την κίνηση μικρών θραυσμάτων που προέρχονται από τη λείανση ή το τεμάχιο εργασίας.** Ο προστατευτικός εξοπλισμός για τα μάτια πρέπει να έχει τη δυνατότητα να σταματά την κίνηση των εκτινασόμενων θραυσμάτων που δημιουργούνται από τις διάφορες εργασίες. Η προσωπίδα κατά της σκόνης ή ο αναπνευστήρας πρέπει να έχει τη δυνατότητα να φιλτράρει τα σωματίδια που δημιουργούνται από την εργασία που εκτελείται. Η παρατεταμένη έκθεση σε θόρυβο υψηλής έντασης μπορεί να προκαλέσει απώλεια ακοής.
10. **Να απομακρύνετε τους μη έχοντες εργασία σε ασφαλή απόσταση από το χώρο εργασίας. Κάθε άτομο που εισέρχεται στο χώρο εργασίας πρέπει να φορά προσωπικό προστατευτικό εξοπλισμό.** Μπορεί να εκτιναχθούν θραύσματα από το τεμάχιο εργασίας ή από ένα σπασμένο εξάρτημα και να προκαλέσουν τραυματισμό σε άτομα που βρίσκονται μακριά από την άμεση περιοχή της εργασίας.
11. **Να κρατάτε το ηλεκτρικό εργαλείο μόνο από τις λαβές με μόνωση όταν εκτελείτε εργασίες κατά τις οποίες το κοπτικό εξάρτημα μπορεί να έρθει σε επαφή με κρυμμένα καλώδια ή με το ίδιο του το καλώδιο.** Αν το κοπτικό εξάρτημα έρθει σε επαφή με κάποιο ηλεκτροφόρο καλώδιο, τα εκθεθειμένα μεταλλικά μέρη του ηλεκτρικού εργαλείου θα γίνουν κι αυτά ηλεκτροφόρα και θα προκληθεί ηλεκτροπληξία στο χειριστή.
12. **Να τοποθετείτε το ηλεκτρικό καλώδιο μακριά από το περιστρεφόμενο εξάρτημα.** Αν χάσετε τον έλεγχο, το ηλεκτρικό καλώδιο μπορεί να κοπεί ή να σκαλώσει, και μπορεί να τραβήξει το χέρι ή το βραχιόνι σας μέσα στο περιστρεφόμενο εξάρτημα.
13. **Ποτέ να μην τοποθετείτε κάτω το ηλεκτρικό εργαλείο έως ότου το εξάρτημα σταματήσει τελείως.** Το περιστρεφόμενο εξάρτημα ενδεχομένως να πιστέψει στην επιφάνεια και να χάσετε τον έλεγχο του ηλεκτρικού εργαλείου.
14. **Μη θέτετε το ηλεκτρικό εργαλείο σε λειτουργία ενώ το μεταφέρετε κρατώντας το στο πλάι σας.** Η τυχαία επαφή με το περιστρεφόμενο εξάρτημα μπορεί να έχει ως αποτέλεσμα να πιστούν τα ρούχα σας και το εξάρτημα να τραβηχτεί προς το σώμα σας.
15. **Να καθαρίζετε τακτικά τα ανοίγματα εξαερισμού του ηλεκτρικού εργαλείου.** Ο ανεμιστήρας του μοτέρ τραβεί τη σκόνη στο εσωτερικό του περιβλήματος και η υπερβολική συσσώρευση μετάλλου σε μορφή σκόνης ενδεχομένως να προκαλέσει κίνδυνο ηλεκτροπληξίας.
16. **Μη θέτετε σε λειτουργία το ηλεκτρικό εργαλείο κοντά σε εύφλεκτα υλικά.** Οι σπινθήρες μπορούν να προκαλέσουν ανάφλεξη αυτών των υλικών.
17. **Μη χρησιμοποιείτε εξαρτήματα που απαιτούν υγρά ψυκτικά.** Η χρήση νερού ή άλλων υγρών ψυκτικών μπορεί να έχει ως αποτέλεσμα την ηλεκτροπληξία.
18. **Κλώσημα και Σχετικές Προειδοποιήσεις**  
Το κλώσημα είναι μια ζαφνική αντίδραση όταν αποκοπεί ή σκαλώσει ο περιστρεφόμενος τροχός, το βύσμα στήριξης, η βούρτσα ή κάποιο άλλο εξάρτημα. Η αποκοπή ή το σκάλωμα προκαλεί την απότομη εμπλοκή του περιστρεφόμενου εξαρτήματος, το οποίο με τη σειρά του προκαλεί την κίνηση του ανεξέλεγκτου ηλεκτρικού εργαλείου προς την αντίθετη κατεύθυνση της περιστροφής του εξαρτήματος στο σημείο της εμπλοκής.  
Για παράδειγμα, αν ένας λειαντικός τροχός αποκοπεί ή σκαλώσει στο τεμάχιο εργασίας, το άκρο του τροχού που εισέρχεται στο σημείο αποκοπής μπορεί να σκάψει μέσα στην επιφάνεια του υλικού και να έχει ως αποτέλεσμα ο τροχός να εξέλθει από αυτό ή να κλωσήσει. Ο τροχός μπορεί να πεταχτεί προς το χειριστή ή μακριά από αυτόν, ανάλογα με την κατεύθυνση κίνησης του τροχού στο σημείο της αποκοπής.  
Οι λειαντικοί τροχοί μπορεί και να σπασούν κάτω από αυτές τις συνθήκες.  
Το κλώσημα προκαλείται όταν το ηλεκτρικό εργαλείο χρησιμοποιείται λανθασμένα ή/και όταν οι διαδικασίες ή οι συνθήκες λειτουργίας είναι λανθασμένες, ενώ μπορεί να αποφευχθεί αν ληφθούν οι κατάλληλες προφυλάξεις που αναφέρονται παρακάτω.
- α) **Να κρατάτε το ηλεκτρικό εργαλείο καλά και με τα δύο χέρια και να τοποθετείτε το σώμα και το**

**βραχίονά σας με τρόπο ώστε να αντιστέκονται στη δύναμη του κλωστήματος. Να χρησιμοποιείτε πάντα τη βοηθητική λαβή, αν παρέχεται, για μέγιστο έλεγχο κατά του κλωστήματος ή της αντίδρασης ροπής κατά την έναρξη της λειτουργίας.** Ο χειριστής μπορεί να ελέγχει τις αντιδράσεις ροπής ή τις δυνάμεις κλωστήματος αν λάβει τις κατάλληλες προφυλάξεις.

**β) Μην τοποθετείτε ποτέ τα χέρια σας κοντά στο περιστρεφόμενο εξάρτημα.** Το εξάρτημα μπορεί να κλωστήσει επάνω του χέρι σας.

**γ) Μην τοποθετείτε το σώμα σας στην περιοχή που θα κινηθεί το ηλεκτρικό εργαλείο στην περίπτωση που αυτό κλωστήσει.** Το κλώστημα θα προωθήσει το εργαλείο προς την αντίθετη κατεύθυνση της κίνησης του τροχού στο σημείο του σκαλώματος.

**δ) Να είστε ιδιαίτερα προσεκτικοί όταν εργάζεστε σε γωνίες, αιχμηρές άκρες, κτλ. Να αποφύγετε την αναπήδηση και το σκάλωμα του εξαρτήματος.** Οι γωνίες, οι αιχμηρές άκρες ή η αναπήδηση έχουν την τάση να σκαλώνουν το περιστρεφόμενο εξάρτημα και να προκαλούν την απώλεια ελέγχου ή το κλώστημα.

**ε) Μην προσαρτάτε μια λάμα αλυσοπρίονου για ξύλο ή οδοντωτή λάμα.** Τέτοιες λάμες δημιουργούν συχνά κλώστημα και απώλεια του ελέγχου.

#### 19. **Ειδικές προειδοποιήσεις ασφάλειας για τρόχισμα και λειαντικές εργασίες κοπής:**

**α) Να χρησιμοποιείτε μόνο είδη τροχών που συστήνονται για το ηλεκτρικό εργαλείο σας και να χρησιμοποιείτε το ειδικό προστατευτικό που έχει σχεδιαστεί για τον επιλεγμένο τροχό.** Οι τροχοί για τους οποίους δεν είναι σχεδιασμένο το ηλεκτρικό εργαλείο δεν μπορούν να προστατευτούν ικανοποιητικά και είναι ανασφαλές.

**β) Το προστατευτικό πρέπει να προσαρτηθεί με ασφάλεια στο ηλεκτρικό εργαλείο και να τοποθετηθεί ώστε να παρέχει μέγιστη ασφάλεια, με τρόπο ώστε ο χειριστής να είναι εκτεθειμένος σε όσο το δυνατό μικρότερο μέρος του τροχού.** Το προστατευτικό συμβάλλει στην προστασία του χειριστή από σπασμένα θραύσματα τροχού και την τυχαία επαφή με τον τροχό.

**γ) Πρέπει να χρησιμοποιείτε τους τροχούς μόνο για τις συνιστώμενες εφαρμογές. Για παράδειγμα: μην τροχίζετε με την πλευρά του τροχού κοπής.** Οι λειαντικοί τροχοί κοπής προορίζονται για περιφερειακό τρόχισμα. Οι πλευρικές δυνάμεις που ασκούνται σε αυτούς τους τροχούς ενδεχομένως να προκαλέσουν το θρυμματισμό τους.

**δ) Να χρησιμοποιείτε πάντα φλάντζες τροχών με το σωστό μέγεθος και σχήμα για τον επιλεγμένο τροχό σας, οι οποίες δεν έχουν υποστεί βλάβη.** Οι κατάλληλες φλάντζες τροχών υποστηρίζουν τον τροχό και συνεπώς μειώνουν την πιθανότητα αυτός να σπάσει. Οι φλάντζες για τους τροχούς κοπής ενδεχομένως να διαφέρουν από τις φλάντζες τροχών τρόχισματος.

**ε) Μην χρησιμοποιείτε φθαρμένους τροχούς από μεγαλύτερα ηλεκτρικά εργαλεία.** Ο τροχός που προορίζεται για μεγαλύτερα ηλεκτρικά εργαλεία δεν

είναι κατάλληλος για την υψηλότερη ταχύτητα των μικρότερων εργαλείων, και ενδεχομένως να σπάσει.

#### 20. **Πρόσθετες ειδικές προειδοποιήσεις ασφάλειας για λειαντικές εργασίες κοπής:**

**α) Μη «φρακάρετε» τον τροχό κοπής και μην ασκείτε υπερβολική πίεση σε αυτόν. Μην επιχειρήσετε να κάνετε υπερβολικά βαθιά κοπή.**

Αν ασκείται υπερβολική πίεση στον τροχό αυξάνεται το φορτίο και η ευπάθεια στις δυνάμεις στρέψης και δέσμευσης του τροχού στην κοπή, ενώ αυξάνεται και η πιθανότητα κλωστήματος ή σπασίσματος του τροχού.

**β) Μην τοποθετείτε το σώμα σας στην ίδια ευθεία με τον περιστρεφόμενο τροχό ή πίσω από αυτόν.**

Όταν ο τροχός μετακινείται μακριά από το σώμα σας, ένα πιθανό κλώστημα ενδεχομένως να προωθήσει τον περιστρεφόμενο τροχό και το ηλεκτρικό εργαλείο κατευθείαν επάνω σας τη στιγμή που τον θέτετε σε λειτουργία.

**γ) Όταν εμποδίζεται η κίνηση του τροχού ή όταν διακόπεται η κοπή για οποιονδήποτε λόγο, σβήστε το ηλεκτρικό εργαλείο και κρατήστε το ακίνητο έως ότου ο τροχός σταματήσει να κινείται εντελώς. Μην επιχειρήσετε ποτέ να βγάλετε τον τροχό κοπής από την κοπή όταν ο τροχός κινείται, επειδή το εργαλείο μπορεί να κλωστήσει.**

Διερευνήστε την αιτία που εμποδίζει η κίνηση του τροχού και λάβετε διορθωτικά μέτρα.

**δ) Μην ξεκινήσετε ξανά την εργασία κοπής στο τεμάχιο εργασίας. Αφήστε τον τροχό να αποκτήσει την πλήρη ταχύτητά του και εισάγετέ τον ξανά στην κοπή προσεκτικά.** Αν θέσετε το ηλεκτρικό εργαλείο ξανά σε λειτουργία μέσα στο τεμάχιο εργασίας, μπορεί να εμποδιστεί η κίνηση του τροχού, ή μπορεί ο τροχός να αναπηδήσει ή να κλωστήσει.

**ε) Πρέπει να στηρίζετε τις πλάκες και τα υπερμεγέθη τεμάχια εργασίας για να ελαχιστοποιείτε τον κίνδυνο αποκοπής και κλωστήματος του τροχού.** Τα μεγάλα τεμάχια εργασίας τείνουν να βαθουλώνουν από το ίδιο τους το βάρος. Πρέπει να τοποθετείτε στηρίγματα κάτω από το τεμάχιο εργασίας, κοντά στη γραμμή κοπής και κοντά στην άκρη του τεμαχίου εργασίας, και στις δύο πλευρές του τροχού.

**στ) Να είστε ιδιαίτερα προσεκτικοί όταν εκτελείτε «κοπές θύλακα» σε τούχους ή άλλες περιοχές για τις οποίες δεν γνωρίζετε τι κριβουν στο εσωτερικό τους.** Αν ο τροχός προεξέχει, μπορεί να κόψει σωλήνες υγραερίου ή νερού, ηλεκτρικά καλώδια ή αντικείμενα που θα προκαλέσουν το κλώστημά του.

#### 21. **Ειδικές Προειδοποιήσεις Ασφάλειας για τις Λειτουργίες Λείανσης:**

**α) Μην χρησιμοποιείτε υπερβολικά υπερμεγέθη γυαλόχαρτο στο δίσκο. Να ακολουθείτε τις συστάσεις των κατασκευαστών, όταν επιλέγετε γυαλόχαρτο.** Το μεγαλύτερο γυαλόχαρτο που προεξέχει πέρα από το λειαντικό επίθεμα κινδυνεύει να σκιστεί και μπορεί να προκαλέσουν σκάλωμα, σχίσμο του δίσκου ή κλώστημα.

#### 22. **Ειδικές Προειδοποιήσεις Ασφάλειας για τις Εργασίες με Χρήση Συρματόβουρτσας :**

- α) Να γνωρίζετε ότι οι συρματένιες τρίχες πετάγονται από τη βούρτσα ακόμα και κατά την κανονική λειτουργία. Μην πιέζετε υπερβολικά τα σύρματα ασκώντας υπερβολικό φορτίο στη βούρτσα. Οι συρματένιες τρίχες μπορούν εύκολα να διαπεράσουν τον ελαφρύ ρουχισμό ή/και το δέρμα.
- β) Αν συνιστάται η χρήση προστατευτικού κατά τη χρήση της συρματόβουρτσας, μην αφήνετε τον τροχό σύρματος ή τη συρματόβουρτσα να εμπλακεί με το προστατευτικό. Ενδεχομένως να μεγαλώσει η διάμετρος του τροχού του σύρματος ή της συρματόβουρτσας εξαιτίας του φόρτου εργασίας και των φυγοκεντρικών δυνάμεων.
23. Όταν χρησιμοποιείτε τροχούς τροχίσματος με χαμηλωμένο κέντρο, να βεβαιώνετε να χρησιμοποιείτε μόνο τροχούς ενισχυμένους με υαλοίνες.
  24. Να προσέχετε ώστε να μην καταστρέψετε την άτρακτο, τη φλάντζα (ειδικά την επιφάνεια τοποθέτησης) ή το παξιμάδι κλειδώματος. Αν τα εξαρτήματα αυτά είναι καταστραμμένα, μπορεί να επέλθει ως αποτέλεσμα το σπάσιμο του τροχού.
  25. Βεβαιωθείτε ότι ο τροχός δεν ακουμπά το τεμάχιο εργασίας πριν ενεργοποιησετε το διακόπτη λειτουργίας.
  26. Πριν χρησιμοποιήσετε το εργαλείο σε ένα πραγματικό τεμάχιο εργασίας, να το αφήνετε να λειτουργεί για λίγη ώρα. Να προσέχετε για κραδασμούς ή κινήσεις που θα μπορούσαν να υποδείξουν κακή τοποθέτηση ή κακή ισορρόπηση του τροχού.
  27. Να χρησιμοποιείτε την καθορισμένη επιφάνεια του τροχού για την εκτέλεση του τροχίσματος.
  28. Προσέχετε τις σπίθες που πετάνονται. Να κρατάτε το εργαλείο με τρόπο ώστε οι σπίθες να πετάνονται μακριά από εσάς, άλλα άτομα ή εύφλεκτα υλικά.
  29. Μην αφήνετε το εργαλείο σε λειτουργία. Το εργαλείο πρέπει να βρίσκεται σε λειτουργία μόνο όταν το κρατάτε.
  30. Μην αγγίζετε το τεμάχιο εργασίας αμέσως μετά τη λειτουργία του εργαλείου. Μπορεί να είναι εξαιρετικά θερμό και να προκαληθεί έγκαυμα στο δέρμα σας.
  31. Να βεβαιώνετε πάντοτε ότι έχετε σβήσει το εργαλείο, έχετε βγάλει το φως του ηλεκτρικού καλωδίου από την πρίζα και ότι έχετε βγάλει την μπαταρία πριν εκτελέσετε οποιαδήποτε εργασία σε αυτό.
  32. Να τηρείτε τις οδηγίες του κατασκευαστή όσον αφορά τη σωστή τοποθέτηση και χρήση των τροχών.  
Να χειρίζεστε και να αποθηκεύετε τους τροχούς με φροντίδα.
  33. Μη χρησιμοποιείτε ξεχωριστές ροδέλες ή προσαρμογείς για να προσαρμόσετε λειαντικούς τροχούς με μεγάλη οπή.
  34. Να χρησιμοποιείτε μόνο φλάντζες κατάλληλες για αυτό το εργαλείο.
  35. Για εργασία στα οποία πρόκειται να τοποθετήσετε τροχό με οπή με σπείρωμα, να

- βεβαιώνετε ότι το σπείρωμα στον τροχό είναι αρκετά μακρύ για να δεχτεί το μήκος της άτρακτου.
36. Ελέγξτε ότι το τεμάχιο εργασίας υποστηρίζεται σωστά.
  37. Προσέχετε τις σπίθες που πετάνονται. Να κρατάτε το εργαλείο με τρόπο ώστε οι σπίθες να πετάνονται μακριά από εσάς, άλλα άτομα ή εύφλεκτα υλικά.
  38. Να προσέχετε όταν ο τροχός συνεχίζει να περιστρέφεται ακόμη και αφού απενεργοποιήσετε το εργαλείο.
  39. Εάν το περιβάλλον εργασίας είναι πολύ ζεστό και υγρό ή εάν υπάρχει υπερβολική αγωγιμη σκόνη, να χρησιμοποιείτε ασφάλεια βραχυκυκλώματος (30 mA) για να εξασφαλίσετε την ασφάλεια του χειριστή.
  40. Μη χρησιμοποιείτε το εργαλείο σε κανένα υλικό που περιέχει αμίαντο.
  41. Μη χρησιμοποιείτε νερό ή λιπαντικό τροχίσματος.
  42. Να φροντίζετε ώστε τα ανοίγματα εξαερισμού να είναι ελεύθερα όταν εργάζεστε σε χώρους με σκόνη. Εάν είναι απαραίτητο να καθαρίσετε τη σκόνη, αποσυνδέστε πρώτα το εργαλείο από την κεντρική παροχή ηλεκτρικού ρεύματος (μη χρησιμοποιείτε μεταλλικά αντικείμενα) και προσέξτε να μην προκαλέσετε ζημιά στα εσωτερικά μέρη.
  43. Όταν χρησιμοποιείτε τροχό κοπής, να εργάζεστε πάντοτε με το προστατευτικό συλλογής σκόνης του τροχού όπως απαιτείται από τους τοπικούς κανονισμούς.
  44. Οι δίσκοι κοπής δεν πρέπει να υφίστανται καμία πλευρική πίεση.

#### ΠΡΟΕΙΔΟΠΟΙΗΣΗ:

Η ΛΑΝΘΑΣΜΕΝΗ ΧΡΗΣΗ ή η μη τήρηση των κανόνων ασφαλείας που διατυπώνονται στο παρόν εγχειρίδιο οδηγίων μπορεί να προκαλέσει σοβαρό τραυματισμό.

## ΦΥΛΑΞΤΕ ΑΥΤΕΣ ΤΙΣ ΟΔΗΓΙΕΣ.

### ΠΕΡΙΓΡΑΦΗ ΛΕΙΤΟΥΡΓΙΑΣ

#### ΠΡΟΣΟΧΗ:

- Να βεβαιώνετε πάντοτε ότι το εργαλείο είναι σβηστό και αποσυνδεδεμένο από το ηλεκτρικό ρεύμα πριν ρυθμίζετε ή ελέγχετε κάποια λειτουργία του.

#### Κλειδωμα άξονα (Εικ. 1)

#### ΠΡΟΣΟΧΗ:

- Μην ενεργοποιείτε το κλειδωμα άξονα όταν κινείται η άτρακτος. Μπορεί να προκληθεί βλάβη στο εργαλείο. Να πιέζετε το κλειδωμα άξονα για να αποφεύγετε την περιστροφή της άτρακτου κατά την τοποθέτηση ή την αφαίρεση εξαρτημάτων.

#### Δράση διακόπτη (Εικ. 2)

#### ΠΡΟΣΟΧΗ:

- Πριν συνδέσετε το εργαλείο σε πρίζα, πάντοτε να ελέγχετε ότι ο κυλιόμενος διακόπτης ενεργοποιείται

σωστά και επιστρέφει στη θέση "OFF" όταν πιέζετε το πίσω μέρος του κυλιόμενου διακόπτη.  
Για να ξεκινήσετε τη λειτουργία του εργαλείου, ολισθήστε τον κυλιόμενο διακόπτη στην "I (ON)" θέση. Για συνεχή λειτουργία, πιέστε το μπροστινό μέρος του κυλιόμενου διακόπτη για τα τον ασφαλίστε.  
Για να διακόψετε τη λειτουργία του εργαλείου, πιέστε το πίσω μέρος του κυλιόμενου διακόπτη και κατόπιν ολισθήστε τον στη θέση "O (OFF)".

## Ενδεικτική λυχνία

**Για τα μοντέλα 9561CVR, 9562CVR, 9564CVR, 9565CVR (Εικ. 3)**

**Για τα μοντέλα 9561CR, 9562CR, 9564CR, 9565CR (Εικ. 4)**

Όταν συνδέετε το εργαλείο στη πρίζα, ανάβει η πράσινη ενδεικτική λυχνία. Αν δεν ανάβει η ενδεικτική λυχνία, μπορεί να είναι ελαττωματικό το ηλεκτρικό καλώδιο ή ο ελεγκτής. Αν η ενδεικτική λυχνία είναι αναμμένη, αλλά το εργαλείο δεν ξεκινάει, ακόμη και αν πατηθεί ο διακόπτης, μπορεί να έχουν φθαρεί τα καρβουνάκια, ή να είναι ελαττωματικός ο ελεγκτής, το μοτέρ ή ο διακόπτης ON/OFF.

## Προστασία ακούσιας επανεκκίνησης

Το εργαλείο δεν ξεκινά με κλειδωμένο το διακόπτη ακόμη και αν το εργαλείο είναι συνδεδεμένο στη πρίζα. Τη στιγμή αυτή, η ενδεικτική λυχνία αναβοσβήνει στο κόκκινο και δείχνει ότι λειτουργεί η συσκευή της προστασίας ενάντια στην ακούσια επανεκκίνηση. Για την ακύρωση της προστασίας έναντι της ακούσιας επανεκκίνησης, επιστρέψτε τον κυλιόμενο διακόπτη στη θέση "O (OFF)" και στη συνέχεια ελευθερώστε τον.

## Επιλογέας ρύθμισης ταχύτητας

**Για τα μοντέλα 9561CVR, 9562CVR, 9564CVR, 9565CVR (Εικ. 5)**  
Η ταχύτητα περιστροφής μπορεί να αλλάξει περιστρέφοντας τον επιλογέα ρύθμισης ταχύτητας σε μια δεδομένη ρύθμιση του αριθμού μεταξύ του 1 και 5. Λαμβάνετε υψηλότερη ταχύτητα όταν περιστρέψετε τον επιλογέα προς την κατεύθυνση του αριθμού 5, ενώ λαμβάνετε χαμηλότερη ταχύτητα όταν περιστρέψετε τον επιλογέα προς την κατεύθυνση του αριθμού 1. Ανατρέξτε στον παρακάτω πίνακα για τη σχέση μεταξύ του αριθμού του επιλογέα και την κατά προσέγγιση ταχύτητα περιστροφής.

Αριθμός	min <sup>-1</sup> (Σ.Α.Λ.)
1	2.800
2	4.000
3	6.500
4	9.000
5	11.000

### ΠΡΟΣΟΧΗ:

- Αν το εργαλείο λειτουργεί συνεχόμενα σε χαμηλές ταχύτητες για μεγάλο χρονικό διάστημα, το μοτέρ θα υπερφορτωθεί και θα θερμανθεί.

- Ο επιλογέας ρύθμισης ταχύτητας έχει τη δυνατότητα να περιστρέφεται έως το 5 και ξανά στο 1. Μην τον εξαναγκάζετε πέρα από το 5 ή το 1, αλλιώς μπορεί να μη λειτουργεί πλέον η ρύθμιση ταχύτητας. Τα εργαλεία που είναι εξοπλισμένα με ηλεκτρονική λειτουργία είναι εύκολα στη χρήση λόγω των ακόλουθων χαρακτηριστικών.
  - Συνεχής ηλεκτρονικός έλεγχος ταχύτητας Είναι δυνατό να έχετε ένα καθαρό τελείωμα, επειδή η ταχύτητα περιστροφής διατηρείται σταθερή ακόμη και κάτω από συνθήκες φορτίου.
  - Χαρακτηριστικό ομαλής εκκίνησης Ομαλή εκκίνηση λόγω των απότομων κραδασμών κατά την εκκίνηση.
  - Προστατευτικό υπερφόρτωσης Όταν το φορτίο στο εργαλείο ξεπερνά τα επιτρεπόμενα όρια, η ισχύς στο μοτέρ ελαττώνεται για την προστασία του μοτέρ από την υπερθέρμανση. Όταν το φορτίο επιστρέψει στα επιτρεπτά όρια, το εργαλείο θα λειτουργεί κανονικά.

## ΣΥΝΑΡΜΟΛΟΓΗΣΗ

### ΠΡΟΣΟΧΗ:

- Να βεβαιώνετε πάντοτε ότι το εργαλείο είναι σβηστό και αποσυνδεδεμένο από το ηλεκτρικό ρεύμα πριν εκτελέσετε οποιαδήποτε εργασία σε αυτό.

## Τοποθέτηση πλαινής λαβής (χειρολαβή) (Εικ. 6)

### ΠΡΟΣΟΧΗ:

- Πριν από τη λειτουργία, να βεβαιώνετε πάντοτε ότι είναι τοποθετημένη με ασφάλεια η πλαινή λαβή. Να βιδώνετε με ασφάλεια την πλαινή λαβή στη θέση του εργαλείου όπως απεικονίζεται στην εικόνα.

## Τοποθέτηση ή αφαίρεση του προστατευτικού του τροχού

**Για εργαλείο με προστατευτικό του τροχού που ασφαρίζει με βίδα (Εικ.7)**

### ΠΡΟΣΟΧΗ:

- Το προστατευτικό του τροχού πρέπει να τοποθετηθεί στο εργαλείο με τρόπο ώστε η κλειστή πλευρά του προστατευτικού να είναι πάντοτε στη μεριά του χειριστή. Τοποθετήστε το προστατευτικό του τροχού με τρόπο ώστε η προεξοχή στη ζώνη του προστατευτικού του τροχού να είναι ευθυγραμμισμένη με την εγκοπή στο κιβώτιο ρουλεμάν. Κατόπιν περιστρέψτε το προστατευτικό του τροχού κατά 180 μοίρες αριστερόστροφα. Βεβαιωθείτε να σφίξετε καλά τις βίδες. Για να βγάλετε το προστατευτικό του τροχού, ακολουθήστε τη διαδικασία τοποθέτησης με αντίστροφη σειρά.

**Για εργαλείο με προστατευτικό του τροχού που ασφαρίζει με μοχλό (Εικ. 8 & 9)**

Τραβήξτε τον μοχλό προς την κατεύθυνση του βέλους αφού ξεσφίξετε την βίδα. Τοποθετήστε το προστατευτικό του τροχού με τρόπο ώστε η προεξοχή στη

ζώνη του προστατευτικού του τροχού να είναι ευθυγραμμισμένη με την εγκοπή στο κιβώτιο ρουλεμάν. Κατόπιν, περιστρέψτε το προστατευτικό του τροχού κατά 180°.

Στερεώστε το με τη βίδα αφότου τραβήξετε το μοχλό προς την διεύθυνση του βέλους για το σκοπό της εργασίας. Ο γωνία τοποθέτησης του προστατευτικού του τροχού μπορεί να ρυθμιστεί με τον μοχλό.

Για να βγάλετε το προστατευτικό του τροχού, ακολουθήστε τη διαδικασία τοποθέτησης με αντίστροφη σειρά.

### **Τοποθέτηση ή αφαίρεση τροχού τροχίσματος χαμηλωμένου κέντρου/ Πολυδίσκου (αξεσουάρ) (Εικ. 10)**

Στερεώστε την εσωτερική φλάντζα στην άτρακτο.

Προσαρμόστε τον τροχό/δίσκο στην εσωτερική φλάντζα και βιδώστε το παξιμάδι κλειδώματος στην άτρακτο.

Για να σφίξετε το παξιμάδι κλειδώματος, πιέστε καλά το κλειδωμα του άξονα ώστε να μην μπορεί να περιστρέφεται η άτρακτος. Κατόπιν, χρησιμοποιήστε το κλειδί του κλειδώματος του παξιμαδιού και σφίξτε καλά δεξιόστροφα. (Εικ. 11)

Για να αφαιρέσετε τον τροχό, ακολουθήστε τη διαδικασία τοποθέτησης με αντίστροφη σειρά.

### **Τοποθέτηση ή αφαίρεση τροχού διαμαντιού (προαιρετικό αξεσουάρ)**

#### **ΠΡΟΣΟΧΗ:**

- Βεβαιωθείτε ότι το βέλος στο εργαλείο δείχνει προς την ίδια κατεύθυνση με το βέλος στον τροχό διαμαντιού. (Εικ. 12)

Στερεώστε την εσωτερική φλάντζα στην άτρακτο.

Προσαρμόστε τον τροχό διαμαντιού επάνω από την εσωτερική φλάντζα και βιδώστε το παξιμάδι κλειδώματος στην άτρακτο. Στην περίπτωση που χρησιμοποιείτε τον τροχό διαμαντιού, προσέξτε ότι η επίπεδη πλευρά του παξιμαδιού κλειδώματος πρέπει να είναι στραμμένη προς τον τροχό διαμαντιού.

### **Τοποθέτηση ή αφαίρεση του προσαρτήματος καλύμματος σκόνης (Προαιρετικό αξεσουάρ)**

#### **ΠΡΟΕΙΔΟΠΟΙΗΣΗ:**

- Να βεβαιώνετε πάντοτε ότι το εργαλείο είναι σβηστό και αποσυνδεδεμένο από το ηλεκτρικό ρεύμα πριν τοποθετήσετε ή αφαιρέσετε το προσάρτημα καλύμματος σκόνης. Εάν δεν το κάνετε αυτό προκαλείτε βλάβη στο εργαλείο ή προσωπικός τραυματισμός.

Υπάρχουν τρεις τύποι προσαρτημάτων καλύμματος σκόνης και ο καθένας χρησιμοποιείται σε μια διαφορετική θέση. (Εικ. 13 - 15)

Τοποθετήστε το προσάρτημα καλύμματος σκόνης έτσι ώστε η πλευρά του προσαρτήματος καλύμματος σκόνης με τη σήμανση (Α, Β ή Γ) να βλέπει προς την κεφαλή του εργαλείου. Πιέστε τις περόνες του προσαρτήματος του καλύμματος σκόνης μέσα στο άνοιγμα. (Εικ. 16)

Το προσάρτημα καλύμματος σκόνης μπορεί να αφαιρεθεί με το χέρι.

#### **ΣΗΜΕΙΩΣΗ:**

- Καθαρίστε το προσάρτημα καλύμματος σκόνης όταν έχει βουλώσει με σκόνη ή ξένα αντικείμενα. Η συνέχιση της λειτουργίας με βουλωμένο το προσάρτημα καλύμματος σκόνης μπορεί να προκαλέσει ζημιά στο εργαλείο.

## **ΛΕΙΤΟΥΡΓΙΑ**

#### **ΠΡΟΕΙΔΟΠΟΙΗΣΗ:**

- Δεν θα πρέπει ποτέ να ασκείτε δύναμη στο εργαλείο. Το βάρος του εργαλείου εφαρμόζει αρκετή πίεση. Ο εξαναγκασμός και η υπερβολική πίεση μπορεί να προκαλέσουν το σπάσιμο του τροχού.
- ΠΑΝΤΟΤΕ να αντικαθιστάτε τον τροχό αν το εργαλείο πέσει κάτω κατά το τρόχισμα.
- ΠΟΤΕ μη χτυπάτε το δίσκο ή τον τροχό τροχίσματος επάνω στο αντικείμενο εργασίας.
- Να αποφεύγετε την αναπήδηση και το σκάλωμα του τροχού, ιδιαίτερα όταν εργάζεστε σε γωνίες, αιχμηρές άκρες, κτλ. Μπορεί να προκληθεί απώλεια του ελέγχου και κλώσημα.
- ΠΟΤΕ μη χρησιμοποιείτε το εργαλείο με λάμες κοπής ξύλου και λάμες άλλου είδους. Όταν χρησιμοποιούνται τέτοιες λάμες στον τροχό, προκαλείται συχνά κλώσημα και απώλεια του ελέγχου προκαλώντας το προσωπικό τραυματισμό.

#### **ΠΡΟΣΟΧΗ:**

- Μετά τη λειτουργία, να σβήνετε πάντοτε το εργαλείο και να περιμένετε έως ότου ακινητοποιηθεί ο τροχός πριν αφήσετε το εργαλείο κάτω.

### **Λειτουργία τροχίσματος και λείανσης**

Να κρατάτε ΠΑΝΤΟΤΕ το εργαλείο σταθερά με το ένα χέρι στο περίβλημα και με το άλλο χέρι στην πλαϊνή λαβή.

Θέστε το εργαλείο σε λειτουργία και κατόπιν τοποθετήστε τον τροχό ή το δίσκο επάνω στο τεμάχιο εργασίας.

Σε γενικές γραμμές, να κρατάτε την άκρη του τροχού ή του δίσκου σε γωνία περίπου 15 μοιρών ως προς την επιφάνεια του τεμαχίου εργασίας.

Κατά τη διάρκεια της περιόδου στρωσίματος ενός καινούργιου τροχού, μη χειρίζεστε τον τροχό προς την κατεύθυνση Β επειδή θα κόψει το τεμάχιο εργασίας. Μόλις στογγυλοποιηθεί η άκρη του τροχού λόγω χρήσης, μπορείτε να χρησιμοποιήσετε τον τροχό και προς τις δύο κατευθύνσεις Α και Β. (Εικ. 17)

### **Λειτουργία με τροχό διαμαντιού (αξεσουάρ)**

#### **ΠΡΟΕΙΔΟΠΟΙΗΣΗ:**

- Ο εξαναγκασμός και η υπερβολική πίεση ή το λύγισμα, η αποκοπή ή η στρέψη του τροχού μέσα στην κοπή μπορεί να προκαλέσουν υπερθέρμανση του μοτέρ και επικίνδυνο κλώσημα του εργαλείου.

#### **ΠΡΟΣΟΧΗ:**

- Μετά τη λειτουργία κοπής, βεβαιωθείτε ότι ο τροχός διαμαντιού έχει σταματήσει να περιστρέφεται τελείως.



## Για το μοντέλο 9561CR, 9561CVR, 9562CR, 9562CVR Για τις ευρωπαϊκές χώρες μόνο

### Θόρυβος

ENG101-1

Το σύνθηες σταθμισμένο επίπεδο θορύβου που έχει

καθοριστεί σύμφωνα με την EN60745-2-3:

Επίπεδο ηχητικής πίεσης ( $L_{pA}$ ): 83 dB(A)

Αβεβαιότητα (K): 3 dB(A)

Το επίπεδο θορύβου κατά τη λειτουργία ενδέχεται να υπερβεί τα 85 dB (A).

### Να φοράτε ωτοασπίδες.

### Κραδασμοί

ENG208-2

Η συνολική τιμή δόνησης (διανυσματικό άθροισμα τριών αξόνων) που έχει καθοριστεί σύμφωνα με την EN60745-2-3:

Κατάσταση λειτουργίας: επιφάνεια τροχίσματος

Εκπομπή κραδασμού ( $a_{h,AG}$ ): 8,5 m/s<sup>2</sup>

Αβεβαιότητα (K): 1,5 m/s<sup>2</sup>

Η εργασία κοπής ή η χρήση συρματόβουρτσας ενδέχεται να έχουν διαφορετικές τιμές εκπομπής δόνησης.

## Για το μοντέλο 9564CR, 9564CVR

### Για τις ευρωπαϊκές χώρες μόνο

### Θόρυβος

ENG101-1

Το σύνθηες σταθμισμένο επίπεδο θορύβου που έχει

καθοριστεί σύμφωνα με την EN60745-2-3:

Επίπεδο ηχητικής πίεσης ( $L_{pA}$ ): 83 dB(A)

Αβεβαιότητα (K): 3 dB(A)

Το επίπεδο θορύβου κατά τη λειτουργία ενδέχεται να υπερβεί τα 85 dB (A).

### Να φοράτε ωτοασπίδες.

### Κραδασμοί

ENG208-2

Η συνολική τιμή δόνησης (διανυσματικό άθροισμα τριών αξόνων) που έχει καθοριστεί σύμφωνα με την EN60745-2-3:

Κατάσταση λειτουργίας: επιφάνεια τροχίσματος

Εκπομπή κραδασμού ( $a_{h,AG}$ ): 8,0 m/s<sup>2</sup>

Αβεβαιότητα (K): 1,5 m/s<sup>2</sup>

Η εργασία κοπής ή η χρήση συρματόβουρτσας ενδέχεται να έχουν διαφορετικές τιμές εκπομπής δόνησης.

Κατόπιν, μπορείτε να αφήσετε κάτω το εργαλείο. Είναι επικίνδυνο να αφήσετε κάτω το εργαλείο πριν το απενεργοποιήσετε. Αν υπάρχει σκόνη ή ακαθαρσίες γύρω από το εργαλείο, μπορεί να αναρροφηθούν στο εσωτερικό του.

Βεβαιωθείτε ότι ο τροχός δεν έρχεται σε επαφή με το τεμάχιο εργασίας.

Θέστε το εργαλείο σε λειτουργία και κρατάτε το εργαλείο καλά. Περιμένετε έως ότου ο τροχός φτάσει στην πλήρη ταχύτητά του. Τώρα, απλά μετακινήστε το εργαλείο προς τα εμπρός στην επιφάνεια του τεμαχίου εργασίας, κρατώντας το επίπεδο και προωθώντας το ομαλά μέχρι να ολοκληρωθεί η κοπή.

## ΣΥΝΤΗΡΗΣΗ

### ΠΡΟΣΟΧΗ:

- Να βεβαιώνετε πάντοτε ότι το εργαλείο είναι σβηστό και αποσυνδεδεμένο από το ηλεκτρικό ρεύμα πριν εκτελέσετε οποιαδήποτε εργασία ελέγχου ή συντήρησης σε αυτό. (Εικ. 18)

Το εργαλείο και τα ανοίγματα εξερισμού του πρέπει να διατηρούνται καθαρά.

Να καθαρίζετε τακτικά τα ανοίγματα εξερισμού του εργαλείου ή όταν αρχίσουν να φράσσονται.

Για να διατηρείται η ΑΣΦΑΛΕΙΑ και η ΑΞΙΟΠΙΣΤΙΑ του προϊόντος, οι εργασίες επισκευής, ο έλεγχος και η αλλαγή των καρβουνακίων, καθώς και οποιαδήποτε άλλη εργασία συντήρησης και ρύθμισης, θα πρέπει να εκτελούνται σε εξουσιοδοτημένα κέντρα εξυπηρέτησης της Makita, και πάντοτε με τη χρήση ανταλλακτικών της Makita.

## ΑΞΕΣΟΥΑΡ

### ΠΡΟΣΟΧΗ:

- Συνιστάται η χρήση αυτών των αξεσουάρ ή εξαρτημάτων με το εργαλείο της Makita, όπως περιγράφεται στο παρόν εγχειρίδιο. Αν χρησιμοποιήσετε άλλα αξεσουάρ ή εξαρτήματα μπορεί να παρουσιαστεί κίνδυνος πρόκλησης τραυματισμού. Να χρησιμοποιείτε τα αξεσουάρ ή τα εξαρτήματα μόνο για το σκοπό για τον οποίο προορίζονται.

Αν χρειάζεστε κάποια βοήθεια ή περισσότερες πληροφορίες σχετικά με τα αξεσουάρ αυτά, απευθυνθείτε στο πλησιέστερο κέντρο τεχνικής υποστήριξης της Makita.

- Προστατευτικό τροχού (Κάλυμμα τροχού)
- Εσωτερική φλάντζα
- Τροχοί χαμηλωμένου κέντρου
- Παξιμάδι κλειδώματος (για τροχό χαμηλωμένου κέντρου)
- Λαστιχένιο βύσμα
- Λειαντικοί δίσκοι
- Παξιμάδι κλειδώματος (για λειαντικούς δίσκους)
- Κλειδί κλειδώματος παξιμαδιών
- Συρματένιο καρβουνάκι
- Συρματένιο τροχό με κλίση 85
- Πλαϊνή λαβή
- Τροχός διαμαντιού
- Προστατευτικό συλλογής σκόνης τροχού

**Για το μοντέλο 9565CR, 9565CVR**

**Για τις ευρωπαϊκές χώρες μόνο**

**Θόρυβος**

ENG101-1

Το σύνθετο σταθμισμένο επίπεδο θορύβου που έχει καθοριστεί σύμφωνα με την EN60745-2-3:

Επίπεδο ηχητικής πίεσης ( $L_{pA}$ ): 82 dB(A)

Αβεβαιότητα (K): 3 dB(A)

Το επίπεδο θορύβου κατά τη λειτουργία ενδέχεται να υπερβεί τα 85 dB (A).

**Να φοράτε ωτοασπίδες.**

**Κραδασμοί**

ENG208-2

Η συνολική τιμή δόνησης (διανυσματικό άθροισμα τριών αξόνων) που έχει καθοριστεί σύμφωνα με την EN60745-2-3:

Κατάσταση λειτουργίας: επιφάνεια τροχίσματος

Εκπομπή κραδασμού ( $a_{h,AG}$ ): 8,0  $m/s^2$

Αβεβαιότητα (K): 1,5  $m/s^2$

Η εργασία κοπής ή η χρήση συρματόβουρτσας ενδέχεται να έχουν διαφορετικές τιμές εκπομπής δόνησης.

**EC – ΔΗΛΩΣΗ ΣΥΜΜΟΡΦΩΣΗΣ**

ENH001-8

**9561CR, 9561CVR, 9562CR, 9562CVR, 9564CR, 9564CVR, 9565CR, 9565CVR**

Δηλώνουμε με αποκλειστική ευθύνη μας ότι το προϊόν αυτό συμμορφώνεται με τα ακόλουθα πρότυπα των τυποποιημένων εντύπων:

EN50144, EN55014, EN61000 σε συμφωνία με τις

Οδηγίες της Επιτροπής, 2004/108/EK, 98/37/EK.

**CE 2008**



Tomoyasu Kato  
Διευθυντής

Υπεύθυνος Κατασκευαστής:

**Makita Corporation**

3-11-8, Sumiyoshi-cho, Anjo, Aichi, JAPAN

Εξουσιοδοτημένος Αντιπρόσωπος στην Ευρώπη:

**Makita International Europe Ltd.**

Michigan Drive, Tongwell, Milton Keynes, Bucks MK15 8JD, ΑΓΓΛΙΑ



Makita Corporation  
Anjo, Aichi, Japan

884863-997